

Installation guide

Circuit breaker

CTI 25M-MB and CTI 45MB

047C3008

047C3008

1 3 5
2 4 6

1x1...4mm²
2x1...4mm²
No.16...12 AWG

1x1...6mm²
2x1...6mm²
No.16...10 AWG

9mm → 1x1.5...4mm²
2x1.5...4mm²
No.16...10 AWG

Use 75°C Cu wire only

1.0...2.5 Nm
8.9...22 lb-in

No.3
Pozidriv No.2

90° 90° 120°

Danfoss A47B399.10

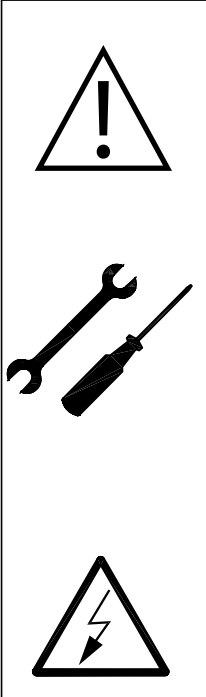
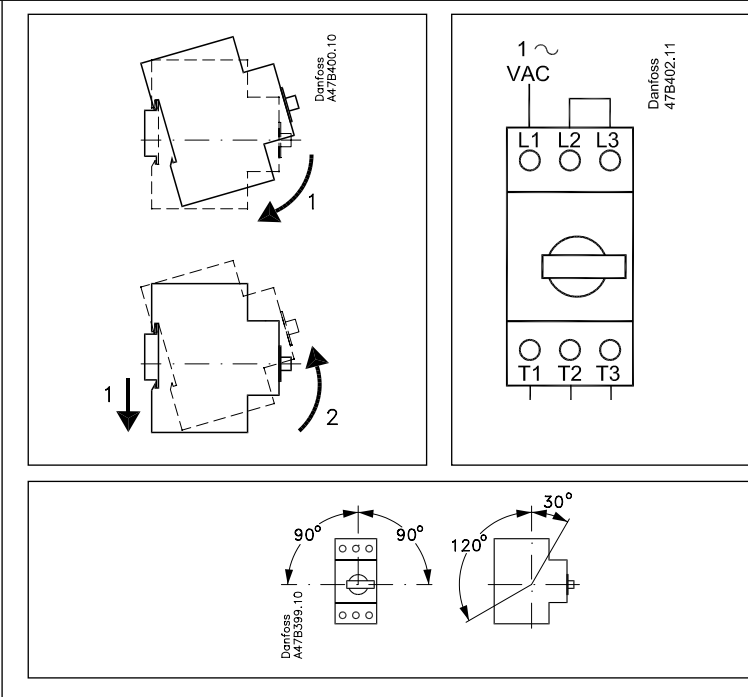
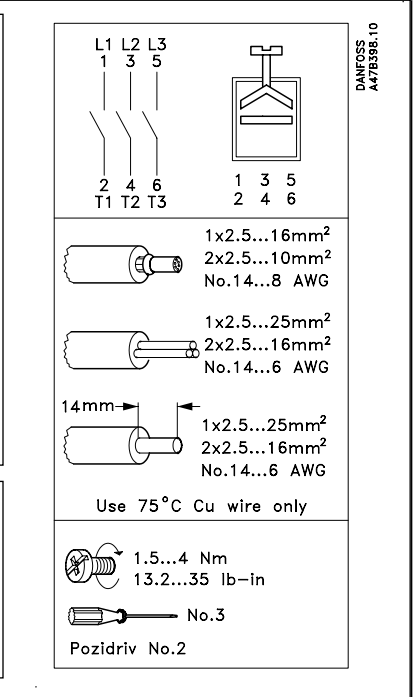
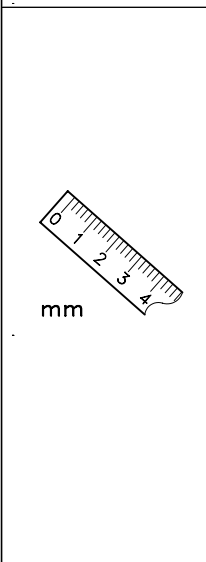
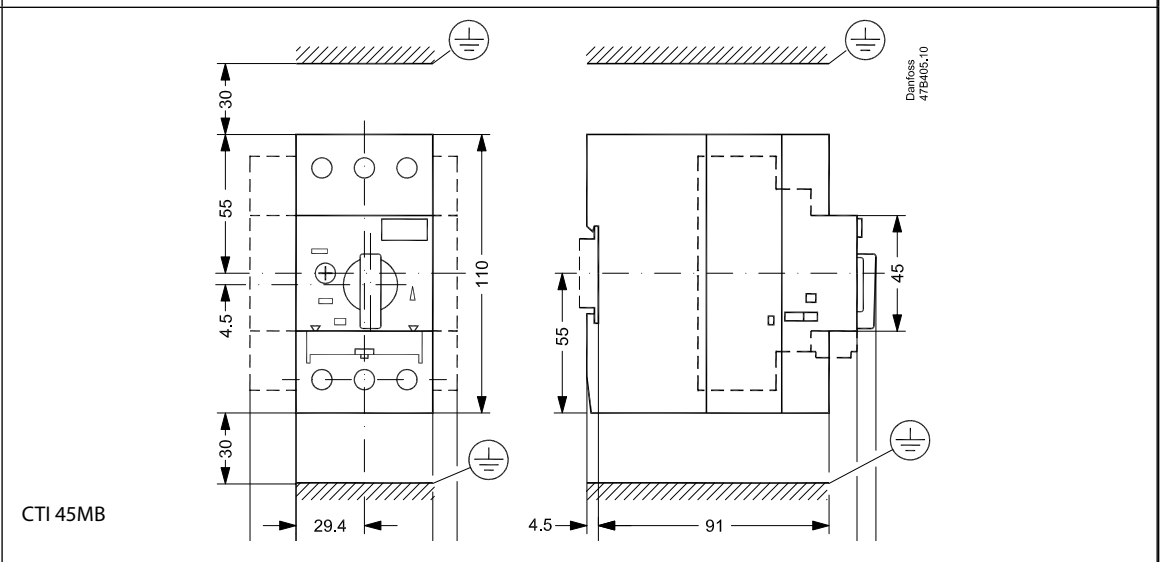
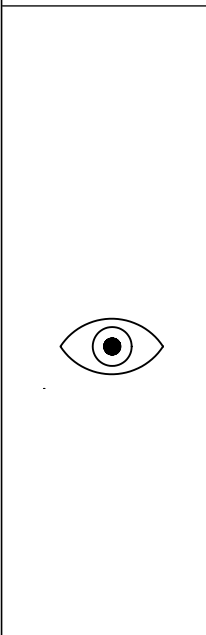
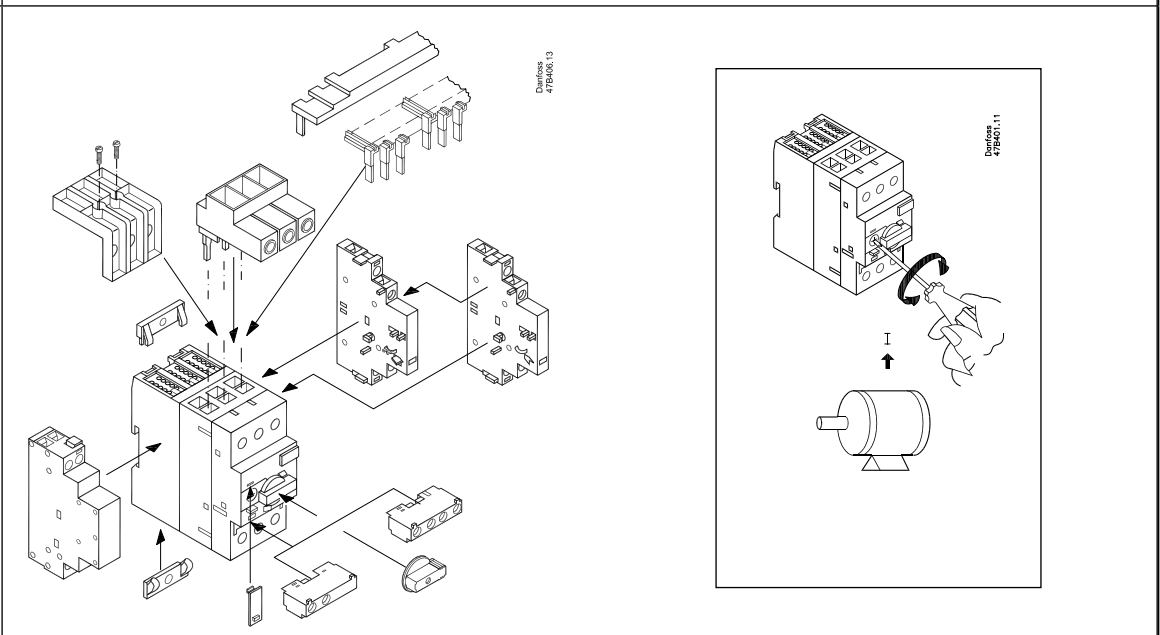
30°

mm

CTI 25M

CTI 25MB

25A
18

		 <p>DANFOSS A47B398.10</p> <p>1x2.5...16mm² 2x2.5...10mm² No.14...8 AWG</p> <p>1x2.5...25mm² 2x2.5...16mm² No.14...6 AWG</p> <p>14mm → 1x2.5...25mm² 2x2.5...16mm² No.14...6 AWG</p> <p>Use 75 °C Cu wire only</p> <p>1.5...4 Nm 13.2...35 lb-in</p> <p>No.3 Pozidriv No.2</p>
	 <p>CTI 45MB</p> <p>Danfoss 47B405.10</p>	
	 <p>Danfoss 47B406.13</p> <p>Danfoss 47B401.11</p>	