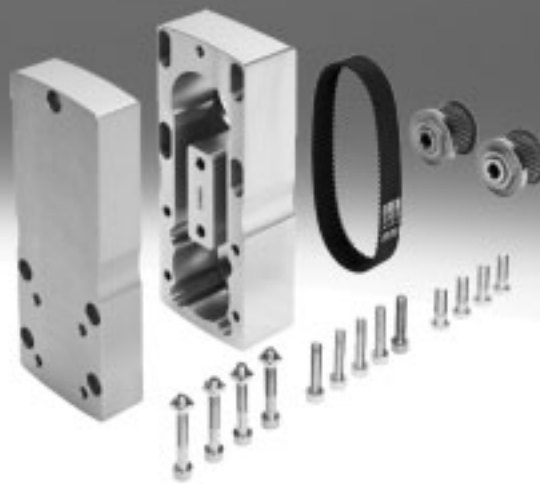


## Parallel kits EAMM-U

**FESTO**



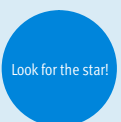
Festo core product range  
Covers 80% of your automation tasks

Worldwide:  
Superb:  
Easy:

Always in stock  
Festo quality at an attractive price  
Reduces procurement and storing complexity




★ Ready for dispatch from the Festo factory in 24 hours  
Held in stock in 13 service centres worldwide  
More than 2200 products

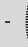
★ Ready for dispatch in 5 days maximum from stock  
Assembled for you in 4 service centres worldwide  
Up to  $6 \times 10^{12}$  variants per product series



# Parallel kits EAMM-U

Key features

At a glance			
	For axis	Description	→ Page
Parallel kits EAMM-U...-D			
	<ul style="list-style-type: none"> <li>• Electric cylinder ESBF</li> <li>• Mini slide EGSL</li> </ul>	<ul style="list-style-type: none"> <li>• The kit can be mounted in all directions</li> <li>• Gear ratio 1:1</li> <li>• Optionally with degree of protection IP65</li> <li>• Third-party motors can be connected. Your local Festo contact partner can tell you which motors are permitted or → <a href="http://www.festo.com/sp/eamm">www.festo.com/sp/eamm</a></li> </ul>	4
Parallel kits EAMM-U...-S			
	<ul style="list-style-type: none"> <li>• Spindle axis ELGA-BS</li> <li>• Spindle axis EGC-BS</li> <li>• Spindle axis EGC-HD-BS</li> </ul>	<ul style="list-style-type: none"> <li>• The kit can be mounted in all directions</li> <li>• Gear ratio 1:1</li> <li>• A counter bearing EAMG and a clamping sleeve EAMH...-P with integrated trunnion are included in the scope of delivery of the parallel kit to provide support for the axis shaft</li> <li>• Third-party motors can be connected. Your local Festo contact partner can tell you which motors are permitted or → <a href="http://www.festo.com/sp/eamm">www.festo.com/sp/eamm</a></li> </ul>	4
Parallel kits EAMM-U-E			
	<ul style="list-style-type: none"> <li>• Spindle axis DGE-SP</li> <li>• Positioning axis DMES</li> </ul>	<ul style="list-style-type: none"> <li>• The kit can be mounted in all directions</li> <li>• Gear ratio 1:1</li> </ul>	25

 Note

Depending on the combination of motor and drive, it may not be possible to reach the maximum feed force of the drive in certain circumstances.

When using parallel kits, the no-load driving torque of the respective kit must be taken into consideration.

PositioningDrives  
Engineering software  
[www.festo.com](http://www.festo.com)

# Parallel kits EAMM-U

Key features

FESTO

## Accessories for parallel kit EAMM-U-...-D/S

Clamping component EADT

→ Page 21



For setting the toothed belt pretension with EAMM-U-110 and EAMM-U-145. The motor is pushed away from the axis mechanism by turning the clamping component secured in a hole in the housing (the motor can be moved in a slot for this purpose). This enables high toothed belt pretension forces to be generated with low torques at the clamping component.

Counter bearing EAMG

→ Page 21



A counter bearing EAMG reduces the load on the axis or motor bearings to improve the service life under high loads. A clamping sleeve EAMH-...-P is additionally required for each counter bearing.

Clamping sleeve EAMH-...-P

→ Page 22



To retrofit the counter bearing, the clamping sleeve without trunion, included as standard in the parallel kit, must be replaced by the clamping sleeve EAMH-...-P with integrated trunion.

Clamping sleeve EAMH-...

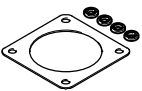
→ Page 23



Clamping sleeve for adapting third-party motors with deviating shaft diameters to the parallel kits.

Seal set EADS-F...

→ Page 24



Spare part for sealed parallel kit EAMM-U-...-S1, between motor and kit.

# Parallel kits EAMM-U...-D/S

Type codes



EAMM – U – 50 – D32 – 40A – 78 –

**Type**

EAMM	Kit
------	-----

**Motor positioning**

U	Parallel
---	----------

**Size**

**Axis mechanism interface**

D32	ESBF-32
D40	ESBF-40
D50	ESBF-50
D60	EGSL-75, ESBF-63
D80	ESBF-80
D100	ESBF-100
S38	ELGA-BS-70, EGC-70-BS, EGC-HD-125-BS
S48	ELGA-BS-80, EGC-80-BS, EGC-HD-160-BS
S62	ELGA-BS-120, EGC-120-BS, EGC-HD-220-BS
S95	ELGA-BS-150, EGC-185-BS

**Motor interface**

40P	Servo motor EMME-AS-40
60P	Servo motor EMME-AS-60
80P	Servo motor EMME-AS-80
40A	Servo motor EMMS-AS-40
55A	Servo motor EMMS-AS-55
70A	Servo motor EMMS-AS-70
100A	Servo motor EMME-AS-100, EMMS-AS-100
140A	Servo motor EMMS-AS-140
42A	Stepper motor EMMS-ST-42
57A	Stepper motor EMMS-ST-57
87A	Stepper motor EMMS-ST-87
32B	Motor unit MTR-DCI-32S
42B/C	Motor unit MTR-DCI-42S
52B/C	Motor unit MTR-DCI-52S
62B/C	Motor unit MTR-DCI-62S
40G	Gear unit EMGA-40
60G	Gear unit EMGA-60-P...-SAS/SST
60H	Gear unit EMGA-60-P...-EAS, EMGC-60-P
80G	Gear unit EMGA-80
120G	Gear unit EMGA-120

**Centre distance**

**Special design**

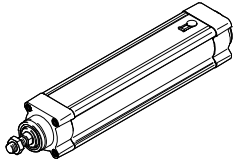
S1	Protection class IP65
----	-----------------------

# Parallel kits EAMM-U-...-D/S

Product range overview

FESTO

## Permissible axis/motor combinations with electric cylinder ESBF






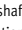
- The kit can be mounted in all directions
- Optionally with degree of protection IP65
- Third-party motors can be connected. Your local Festo contact partner can tell you which motors are permitted or → [www.festo.com/sp/eamm](http://www.festo.com/sp/eamm)

Motor / Gear unit <sup>2)</sup>	Parallel kit	
Type	Part No.	Type
<b>ESBF-32</b>		
With servo motor		
EMME-AS-40-...	★ 2153283	EAMM-U-50-D32-40P-78
	2154009	EAMM-U-50-D32-40P-78-S1 <sup>1)</sup>
EMMS-AS-40-...	1201591	EAMM-U-50-D32-40A-78
	1202302	EAMM-U-50-D32-40A-78-S1 <sup>1)</sup>
EMMS-AS-55-...	1210126	EAMM-U-60-D32-55A-91
	1210450	EAMM-U-60-D32-55A-91-S1 <sup>1)</sup>
EMME-AS-60-...	★ 2619586	EAMM-U-70-D32-60P-96
	2619688	EAMM-U-70-D32-60P-96-S1 <sup>1)</sup>
EMMS-AS-70-...	2755565	EAMM-U-70-D32-70A-96
	2781711	EAMM-U-70-D32-70A-96-S1 <sup>1)</sup>
With stepper motor		
EMMS-ST-42-...	★ 1201607	EAMM-U-50-D32-42A-78
	1202312	EAMM-U-50-D32-42A-78-S1 <sup>1)</sup>
EMMS-ST-57-...	★ 1210419	EAMM-U-60-D32-57A-91
	1210453	EAMM-U-60-D32-57A-91-S1 <sup>1)</sup>
With gear unit		
EMGA-40-P-...	1577358	EAMM-U-60-D32-40G-91
EMGC-40-P-...	1577346	EAMM-U-60-D32-40G-91-S1 <sup>1)</sup>
EMGA-60-P-...-EAS, EMGC-60-P-... <sup>3)</sup>	2778393	EAMM-U-70-D32-60H-96
	2781450	EAMM-U-70-D32-60H-96-S1 <sup>1)</sup>
EMGA-60-P-...-SAS/ SST <sup>3)</sup>	2748181	EAMM-U-70-D32-60G-96
	2778302	EAMM-U-70-D32-60G-96-S1 <sup>1)</sup>
With motor unit <sup>4)</sup>		
MTR-DCI-32S-...	1570862	EAMM-U-50-D32-32B-78
MTR-DCI-42S-...	1577393	EAMM-U-60-D32-42B/C-91
MTR-DCI-52S-...	2755890	EAMM-U-70-D32-52B/C-96

-  - Note

The seal for EAMM-U-...-S1 reduces the heat dissipation between the motor and flange. Note derating of motor.

Motor / Gear unit <sup>2)</sup>	Parallel kit	
Type	Part No.	Type
<b>ESBF-40</b>		
With servo motor		
EMMS-AS-55-...	1210438	EAMM-U-60-D40-55A-91
	1210458	EAMM-U-60-D40-55A-91-S1 <sup>1)</sup>
EMME-AS-60-...	★ 2617488	EAMM-U-70-D40-60P-96
	2546123	EAMM-U-70-D40-60P-96-S1 <sup>1)</sup>
EMMS-AS-70-... 	2786204	EAMM-U-70-D40-70A-96
	2786316	EAMM-U-70-D40-70A-96-S1 <sup>1)</sup>
EMMS-AS-70-...	1212826	EAMM-U-86-D40-70A-102
	1212854	EAMM-U-86-D40-70A-102-S1 <sup>1)</sup>
EMME-AS-80-...	★ 2802441	EAMM-U-86-D40-80P-102
	2802656	EAMM-U-86-D40-80P-102-S1 <sup>1)</sup>
With stepper motor		
EMMS-ST-57-...	★ 1210442	EAMM-U-60-D40-57A-91
	1210462	EAMM-U-60-D40-57A-91-S1 <sup>1)</sup>
EMMS-ST-87-...	★ 1215802	EAMM-U-86-D40-87A-102
	1215814	EAMM-U-86-D40-87A-102-S1 <sup>1)</sup>
With gear unit		
EMGA-40-P-...	1577165	EAMM-U-60-D40-40G-91
EMGC-40-P-...	1435968	EAMM-U-60-D40-40G-91-S1 <sup>1)</sup>
EMGA-60-P-...-EAS, EMGC-60-P-... <sup>3)</sup> 	2786101	EAMM-U-70-D40-60H-96
	2786137	EAMM-U-70-D40-60H-96-S1 <sup>1)</sup>
EMGA-60-P-...-SAS/ SST <sup>3)</sup> 	2785471	EAMM-U-70-D40-60G-96
	2785542	EAMM-U-70-D40-60G-96-S1 <sup>1)</sup>
EMGA-60-P-...-EAS, EMGC-60-P-... <sup>3)</sup>	1586496	EAMM-U-86-D40-60H-102
	1586372	EAMM-U-86-D40-60H-102-S1 <sup>1)</sup>
EMGA-60-P-...-SAS/ SST <sup>3)</sup>	1586445	EAMM-U-86-D40-60G-102
	1586429	EAMM-U-86-D40-60G-102-S1 <sup>1)</sup>
With motor unit <sup>4)</sup>		
MTR-DCI-42S-...	1570950	EAMM-U-60-D40-42B/C-91
MTR-DCI-52S-...	2786802	EAMM-U-70-D40-52B/C-96
MTR-DCI-52S-...	1537046	EAMM-U-86-D40-52B/C-102

- 1) With degree of protection IP65
- 2) The input torque must not exceed the max. perm. transferable torque of the parallel kit.
- 3) Gear unit drive shaft : EMGA-60-P-...-SAS/SST: 11 mm; EMGA-60-P-...-EAS, EMGC-60-P-...: 14 mm
- 4) Only in combination with ESBF-LS-...

Festo core product range

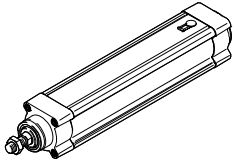
- ★ Ready for dispatch from the Festo factory in 24 hours
- ☆ Ready for dispatch in 5 days maximum from stock

# Parallel kits EAMM-U-...-D/S

Product range overview

FESTO

## Permissible axis/motor combinations with electric cylinder ESBF



- The kit can be mounted in all directions
- Optionally with degree of protection IP65
- Third-party motors can be connected. Your local Festo contact partner can tell you which motors are permitted or → [www.festo.com/sp/eamm](http://www.festo.com/sp/eamm)

Motor / Gear unit <sup>2)</sup>	Parallel kit	
Type	Part No.	Type
<b>ESBF-50</b>		
With servo motor		
EMMS-AS-70-...	2786899	EAMM-U-70-D50-70A-96
	2756078	EAMM-U-70-D50-70A-96-S1 <sup>1)</sup>
EMME-AS-80-...	★ 2803053	EAMM-U-86-D50-80P-102
	2803073	EAMM-U-86-D50-80P-102-S1 <sup>1)</sup>
EMME-AS-100-...	2799424	EAMM-U-110-D50-100A-120
	2799488	EAMM-U-110-D50-100A-120-S1 <sup>1)</sup>
EMMS-AS-100-...	★ 2799424	EAMM-U-110-D50-100A-120
	2799488	EAMM-U-110-D50-100A-120-S1 <sup>1)</sup>
With stepper motor		
EMMS-ST-87-...	★ 2802708	EAMM-U-86-D50-87A-102
	2802742	EAMM-U-86-D50-87A-102-S1 <sup>1)</sup>
With gear unit		
EMGA-60-P-...-EAS, EMGC-60-P-... <sup>3)</sup>	2803326	EAMM-U-86-D50-60H-102
	2803325	EAMM-U-86-D50-60H-102-S1 <sup>1)</sup>
EMGA-60-P-...-SAS/SST <sup>3)</sup>	2803125	EAMM-U-86-D50-60G-102
	2803197	EAMM-U-86-D50-60G-102-S1 <sup>1)</sup>
EMGA-60-P-...-EAS, EMGC-60-P-... <sup>3)</sup>	2798760	EAMM-U-110-D50-60H-120
	2799150	EAMM-U-110-D50-60H-120-S1 <sup>1)</sup>
EMGA-60-P-...-SAS/SST <sup>3)</sup>	2797368	EAMM-U-110-D50-60G-120
	2798665	EAMM-U-110-D50-60G-120-S1 <sup>1)</sup>
EMGA-80-P-...	2799196	EAMM-U-110-D50-80G-120
	2799281	EAMM-U-110-D50-80G-120-S1 <sup>1)</sup>
<b>ESBF-63</b>		
With servo motor		
EMMS-AS-70-...	1212477	EAMM-U-86-D60-70A-102
	1212835	EAMM-U-86-D60-70A-102-S1 <sup>1)</sup>
EMME-AS-80-...	★ 2155875	EAMM-U-86-D60-80P-102
	2156527	EAMM-U-86-D60-80P-102-S1 <sup>1)</sup>
EMME-AS-100-...	★ 1202436	EAMM-U-110-D60-100A-120 <sup>1)</sup>
	1203112	EAMM-U-110-D60-100A-120-S1 <sup>1)</sup>
EMMS-AS-100-...	★ 1202436	EAMM-U-110-D60-100A-120 <sup>1)</sup>
	1203112	EAMM-U-110-D60-100A-120-S1 <sup>1)</sup>
With stepper motor		
EMMS-ST-87-...	★ 1215784	EAMM-U-86-D60-87A-102
	1215810	EAMM-U-86-D60-87A-102-S1 <sup>1)</sup>

Motor / Gear unit <sup>2)</sup>	Parallel kit	
Type	Part No.	Type
<b>ESBF-63</b>		
With gear unit		
EMGA-60-P-...-SAS/SST <sup>3)</sup>	1586347	EAMM-U-86-D60-60G-102
	1437163	EAMM-U-86-D60-60G-102-S1 <sup>1)</sup>
EMGA-60-P-...-EAS, EMGC-60-P-... <sup>3)</sup>	1586276	EAMM-U-86-D60-60H-102
	1530837	EAMM-U-86-D60-60H-102-S1 <sup>1)</sup>
EMGA-60-P-...-SAS/SST <sup>3)</sup>	1543240	EAMM-U-110-D60-60G-120
	1436183	EAMM-U-110-D60-60G-120-S1 <sup>1)</sup>
EMGA-60-P-...-EAS, EMGC-60-P-... <sup>3)</sup>	1542264	EAMM-U-110-D60-60H-120
	1530621	EAMM-U-110-D60-60H-120-S1 <sup>1)</sup>
EMGA-80-P-...	1532949	EAMM-U-110-D60-80G-120
	1530875	EAMM-U-110-D60-80G-120-S1 <sup>1)</sup>
<b>ESBF-80</b>		
With servo motor		
EMME-AS-100-...	1465438	EAMM-U-110-D80-100A-120
	1433650	EAMM-U-110-D80-100A-120-S1 <sup>1)</sup>
EMMS-AS-100-...	1465438	EAMM-U-110-D80-100A-120
	1433650	EAMM-U-110-D80-100A-120-S1 <sup>1)</sup>
EMMS-AS-140-...	1465530	EAMM-U-145-D80-140A-188
	1433709	EAMM-U-145-D80-140A-188-S1 <sup>1)</sup>
With gear unit		
EMGA-80-P-...	1589614	EAMM-U-110-D80-80G-120
	1589706	EAMM-U-110-D80-80G-120-S1 <sup>1)</sup>
<b>ESBF-100</b>		
With servo motor		
EMMS-AS-140-...	1465541	EAMM-U-145-D100-140A-188
	1433852	EAMM-U-145-D100-140A-188-S1 <sup>1)</sup>
With gear unit		
EMGA-120-P-... -⊗-	2803620	EAMM-U-145-D100-120G-188
	2803622	EAMM-U-145-D100-120G-188-S1 <sup>1)</sup>

- 1) With degree of protection IP65
- 2) The input torque must not exceed the max. perm. transferable torque of the parallel kit.
- 3) Gear unit drive shaft ⊗: EMGA-60-P-...-SAS/-SST: 11 mm; EMGA-60-P-...-EAS, EMGC-60-P: 14 mm

⊗ - Note

Clamping element EADT for adjusting the toothed belt pretension for EAMM-U-110 and EAMM-U-145 → Page 21

The seal for EAMM-U-...-S1 reduces the heat dissipation between the motor and flange. Note derating of motor.

Festo core product range

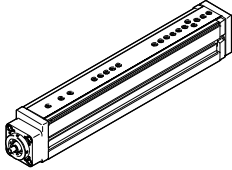
- ★ Ready for dispatch from the Festo factory in 24 hours
- ☆ Ready for dispatch in 5 days maximum from stock

# Parallel kits EAMM-U-...-D/S

Product range overview

FESTO

## Permissible axis/motor combinations with mini slide EGSL



- The kit can be mounted in all directions
- Third-party motors can be connected. Your local Festo contact partner can tell you which motors are permitted or → [www.festo.com/sp/eamm](http://www.festo.com/sp/eamm)

Motor / Gear unit <sup>1)</sup>	Parallel kit	
Type	Part No.	Type
<b>EGSL-45</b>		
With servo motor		
EMME-AS-40-...	★ 2153283	EAMM-U-50-D32-40P-78
EMMS-AS-40-...	1201591	EAMM-U-50-D32-40A-78
EMMS-AS-55-...	1210126	EAMM-U-60-D32-55A-91
EMME-AS-60-...	★ 2619586	EAMM-U-70-D32-60P-96
With stepper motor		
EMMS-ST-42-...	★ 1201607	EAMM-U-50-D32-42A-78
EMMS-ST-57-...	★ 1210419	EAMM-U-60-D32-57A-91
With motor unit		
MTR-DCI-32S-...	1570862	EAMM-U-50-D32-32B-78
MTR-DCI-42S-...	1577393	EAMM-U-60-D32-42B/C-91
With gear unit		
EMGA-40-P-...	1577358	EAMM-U-60-D32-40G-91
EMGC-40-P-...		
EMGA-60-P-...-SAS/SST <sup>2)</sup>	2748181	EAMM-U-70-D32-60G-96
EMGA-60-P-...-EAS, EMGC-60-P-... <sup>2)</sup>	2778393	EAMM-U-70-D32-60H-96
<b>EGSL-55</b>		
With servo motor		
EMMS-AS-55-...	1210438	EAMM-U-60-D40-55A-91
EMME-AS-60-...	★ 2617488	EAMM-U-70-D40-60P-96
EMMS-AS-70-...	2786204	EAMM-U-70-D40-70A-96
EMMS-AS-70-...	1212826	EAMM-U-86-D40-70A-102
With stepper motor		
EMMS-ST-57-...	★ 1210442	EAMM-U-60-D40-57A-91
EMMS-ST-87-...	★ 1215802	EAMM-U-86-D40-87A-102
With motor unit		
MTR-DCI-42S-...	1570950	EAMM-U-60-D40-42B/C-91
MTR-DCI-52S-...	2786802	EAMM-U-70-D40-52B/C-96
MTR-DCI-52S-...	1537046	EAMM-U-86-D40-52B/C-102

Motor / Gear unit <sup>1)</sup>	Parallel kit	
Type	Part No.	Type
<b>EGSL-55</b>		
With gear unit		
EMGA-40-P-...	1577165	EAMM-U-60-D40-40G-91
EMGC-40-P-...		
EMGA-60-P-...-SAS/SST <sup>2)</sup>	2785471	EAMM-U-70-D40-60G-96
EMGA-60-P-...-EAS, EMGC-60-P-... <sup>2)</sup>	2786101	EAMM-U-70-D40-60H-96
EMGA-60-P-...-SAS/SST <sup>2)</sup>	1586445	EAMM-U-86-D40-60G-102
EMGA-60-P-...-EAS, EMGC-60-P-... <sup>2)</sup>	1586496	EAMM-U-86-D40-60H-102
<b>EGSL-75</b>		
With servo motor		
EMMS-AS-70-...	1212477	EAMM-U-86-D60-70A-102
EMME-AS-80-...	★ 2155875	EAMM-U-86-D60-80P-102
With stepper motor		
EMMS-ST-87-...	★ 1215784	EAMM-U-86-D60-87A-102
With motor unit		
MTR-DCI-52S-...	1537000	EAMM-U-86-D60-52B/C-102
MTR-DCI-62S-...	1536988	EAMM-U-110-D60-62B-120
With gear unit		
EMGA-60-P-...-SAS/SST <sup>2)</sup>	1536988	EAMM-U-86-D60-60G-102
EMGA-60-P-...-EAS, EMGC-60-P-... <sup>2)</sup>	1536988	EAMM-U-86-D60-60H-102
EMGA-60-P-...-SAS/SST <sup>2)</sup>	1543240	EAMM-U-110-D60-60G-120
EMGA-60-P-...-EAS, EMGC-60-P-... <sup>2)</sup>	1542264	EAMM-U-110-D60-60H-120
EMGA-80-P-...	1532949	EAMM-U-110-D60-80G-120

- 1) The input torque must not exceed the max. perm. transferable torque of the parallel kit.  
 2) Gear unit drive shaft ⌀: EMGA-60-P-...-SAS/-SST: 11 mm; EMGA-60-P-...-EAS, EMGC-60-P: 14 mm



Clamping element EADT for adjusting the toothed belt pretension for EAMM-U-110 and EAMM-U-145 → Page 21

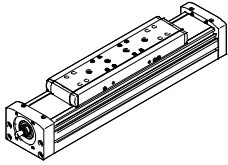
Festo core product range

- ★ Ready for dispatch from the Festo factory in 24 hours
- ☆ Ready for dispatch in 5 days maximum from stock

# Parallel kits EAMM-U-...-D/S

Product range overview

## Permissible axis/motor combinations with spindle axis ELGA-BS



- The kit can be mounted in all directions
- To support the axis shaft, a counter bearing EAMG and a clamping sleeve EAMH-...-P with integrated trunnion is included in the scope of delivery for the parallel kit
- Third-party motors can be connected. Your local Festo contact partner can tell you which motors are permitted or → [www.festo.com/sp/eamm](http://www.festo.com/sp/eamm)

Motor / Gear unit <sup>1)</sup>	Parallel kit	
Type	Part No.	Type
<b>ELGA-BS-70</b>		
With servo motor		
EMME-AS-40-...	★ 2155239	EAMM-U-50-S38-40P-78
EMMS-AS-40-...	1217708	EAMM-U-50-S38-40A-78
EMMS-AS-55-...	1218538	EAMM-U-60-S38-55A-91
With stepper motor		
EMMS-ST-42-...	★ 1217945	EAMM-U-50-S38-42A-78
EMMS-ST-57-...	★ 1218568	EAMM-U-60-S38-57A-91
With gear unit		
EMGA-40-P-...	2283732	EAMM-U-60-S38-40G-91
EMGC-40-P-...	2283732	EAMM-U-60-S38-40G-91
<b>ELGA-BS-80</b>		
With servo motor		
EMMS-AS-55-...	1219370	EAMM-U-60-S48-55A-91
EMME-AS-60-...	★ 2629253	EAMM-U-70-S48-60P-96
EMMS-AS-70-...	2787320	EAMM-U-70-S48-70A-96
EMMS-AS-70-...	1217689	EAMM-U-86-S48-70A-102
With stepper motor		
EMMS-ST-57-...	1219379	EAMM-U-60-S48-57A-91
EMMS-ST-87-...	1217604	EAMM-U-86-S48-87A-177
With gear unit		
EMGA-40-P-...	2283760	EAMM-U-60-S48-40G-91
EMGC-40-P-...	2283760	EAMM-U-60-S48-40G-91
EMGA-60-P-...-SAS/SST <sup>2)</sup>	2283760	EAMM-U-70-S48-60G-96
EMGA-60-P-...-EAS, EMGC-60-P-... <sup>2)</sup>	2801715	EAMM-U-70-S48-60H-96
EMGA-60-P-...-SAS/SST <sup>2)</sup>	1587251	EAMM-U-86-S48-60G-102
EMGA-60-P-...-EAS, EMGC-60-P-... <sup>2)</sup>	1587338	EAMM-U-86-S48-60H-102

Motor / Gear unit <sup>1)</sup>	Parallel kit	
Type	Part No.	Type
<b>ELGA-BS-120</b>		
With servo motor		
EMMS-AS-70-...	1217543	EAMM-U-86-S62-70A-177
EMME-AS-80-...	★ 2157004	EAMM-U-86-S62-80P-177
EMME-AS-100-...	★ 1217381	EAMM-U-110-S62-100A-207
EMMS-AS-100-...	★ 1217381	EAMM-U-110-S62-100A-207
EMMS-AS-140-...	★ 1219440	EAMM-U-145-S62-140A-288
With stepper motor		
EMMS-ST-87-...	★ 1217373	EAMM-U-86-S62-87A-177
With gear unit		
EMGA-60-P-...-SAS/SST <sup>2)</sup>	1587411	EAMM-U-86-S62-60G-177
EMGA-60-P-...-EAS, EMGC-60-P-... <sup>2)</sup>	1587453	EAMM-U-86-S62-60H-177
<b>ELGA-BS-150</b>		
With servo motor		
EMME-AS-100-...	1220656	EAMM-U-110-S95-100A-207
EMMS-AS-100-...	1220656	EAMM-U-110-S95-100A-207
EMMS-AS-140-...	1220582	EAMM-U-145-S95-140A-288
With gear unit		
EMGA-80-P-...	1589544	EAMM-U-110-S95-80G-207

- 1) The input torque must not exceed the max. perm. transferable torque of the parallel kit.
- 2) Gear unit drive shaft ⌀: EMGA-60-P-...-SAS/SST: 11 mm; EMGA-60-P-...-EAS, EMGC-60-P: 14 mm



Note  
Clamping element EADT for adjusting the toothed belt pretension for EAMM-U-110 and EAMM-U-145 → Page 21

Festo core product range

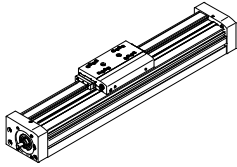
- ★ Ready for dispatch from the Festo factory in 24 hours
- ☆ Ready for dispatch in 5 days maximum from stock



# Parallel kits EAMM-U-...-D/S

Product range overview

## Permissible axis/motor combinations with spindle axis EGC-BS



- The kit can be mounted in all directions
- To support the axis shaft, a counter bearing EAMG and a clamping sleeve EAMH-...-P with integrated trunnion is included in the scope of delivery for the parallel kit
- Third-party motors can be connected. Your local Festo contact partner can tell you which motors are permitted or → [www.festo.com/sp/eamm](http://www.festo.com/sp/eamm)

Motor / Gear unit <sup>1)</sup>	Parallel kit	
Type	Part No.	Type
<b>EGC-70-BS</b>		
With servo motor		
EMME-AS-40-...	★ 2155239	EAMM-U-50-S38-40P-78
EMMS-AS-40-...	1217708	EAMM-U-50-S38-40A-78
EMMS-AS-55-...	1218538	EAMM-U-60-S38-55A-91
With stepper motor		
EMMS-ST-42-...	★ 1217945	EAMM-U-50-S38-42A-78
EMMS-ST-57-...	★ 1218568	EAMM-U-60-S38-57A-91
With gear unit		
EMGA-40-P-...	2283732	EAMM-U-60-S38-40G-91
EMGC-40-P-...	2283732	EAMM-U-60-S38-40G-91
<b>EGC-80-BS</b>		
With servo motor		
EMMS-AS-55-...	1219370	EAMM-U-60-S48-55A-91
EMME-AS-60-...	★ 2629253	EAMM-U-70-S48-60P-96
EMMS-AS-70-...	2787320	EAMM-U-70-S48-70A-96
EMMS-AS-70-...	1217689	EAMM-U-86-S48-70A-102
With stepper motor		
EMMS-ST-57-...	1219379	EAMM-U-60-S48-57A-91
EMMS-ST-87-...	1217604	EAMM-U-86-S48-87A-177
With gear unit		
EMGA-40-P-...	2283760	EAMM-U-60-S48-40G-91
EMGC-40-P-...	2283760	EAMM-U-60-S48-40G-91
EMGA-60-P-...-SAS/ SST <sup>2)</sup>	2283760	EAMM-U-70-S48-60G-96
EMGA-60-P-...-EAS, EMGC-60-P-... <sup>2)</sup>	2801715	EAMM-U-70-S48-60H-96
EMGA-60-P-...-SAS/ SST <sup>2)</sup>	1587251	EAMM-U-86-S48-60G-102
EMGA-60-P-...-EAS, EMGC-60-P-... <sup>2)</sup>	1587338	EAMM-U-86-S48-60H-102

Motor / Gear unit <sup>1)</sup>	Parallel kit	
Type	Part No.	Type
<b>EGC-120-BS</b>		
With servo motor		
EMMS-AS-70-...	1217543	EAMM-U-86-S62-70A-177
EMME-AS-80-...	★ 2157004	EAMM-U-86-S62-80P-177
EMME-AS-100-...	★ 1217381	EAMM-U-110-S62-100A-207
EMMS-AS-100-...	★ 1217381	EAMM-U-110-S62-100A-207
EMMS-AS-140-...	★ 1219440	EAMM-U-145-S62-140A-288
With stepper motor		
EMMS-ST-87-...	★ 1217373	EAMM-U-86-S62-87A-177
With gear unit		
EMGA-60-P-...-SAS/ SST <sup>2)</sup>	1587411	EAMM-U-86-S62-60G-177
EMGA-60-P-...-EAS, EMGC-60-P-... <sup>2)</sup>	1587453	EAMM-U-86-S62-60H-177
<b>EGC-185-BS</b>		
With servo motor		
EMME-AS-100-...	1220656	EAMM-U-110-S95-100A-207
EMMS-AS-100-...	1220656	EAMM-U-110-S95-100A-207
EMMS-AS-140-...	1220582	EAMM-U-145-S95-140A-288
With gear unit		
EMGA-80-P-...	1589544	EAMM-U-110-S95-80G-207

- 1) The input torque must not exceed the max. perm. transferable torque of the parallel kit.  
 2) Gear unit drive shaft ⌀: EMGA-60-P-...-SAS/-SST: 11 mm; EMGA-60-P-...-EAS, EMGC-60-P: 14 mm



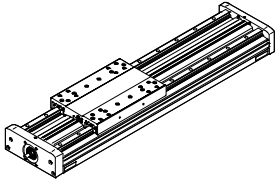
Note

Clamping element EADT for adjusting the toothed belt pretension for EAMM-U-110 and EAMM-U-145 → Page 21

# Parallel kits EAMM-U-...-D/S

Product range overview

## Permissible axis/motor combinations with spindle axis with heavy-duty guide EGC-HD-BS



- The kit can be mounted in all directions
- To support the axis shaft, a counter bearing EAMG and a clamping sleeve EAMH-...-P with integrated trunnion is included in the scope of delivery for the parallel kit
- Third-party motors can be connected. Your local Festo contact partner can tell you which motors are permitted or → [www.festo.com/sp/eamm](http://www.festo.com/sp/eamm)

Motor / Gear unit <sup>1)</sup>	Parallel kit	
Type	Part No.	Type
<b>EGC-HD-125</b>		
With servo motor		
EMME-AS-40-...	★ 2155239	EAMM-U-50-S38-40P-78
EMMS-AS-40-...	1217708	EAMM-U-50-S38-40A-78
EMMS-AS-55-...	1218538	EAMM-U-60-S38-55A-91
With stepper motor		
EMMS-ST-42-...	★ 1217945	EAMM-U-50-S38-42A-78
EMMS-ST-57-...	1218568	EAMM-U-60-S38-57A-91
With gear unit		
EMGA-40-P-...	2283732	EAMM-U-60-S38-40G-91
EMGC-40-P-...	2283732	EAMM-U-60-S38-40G-91
<b>EGC-HD-160</b>		
With servo motor		
EMMS-AS-55-...	1219370	EAMM-U-60-S48-55A-91
EMME-AS-60-...	★ 2629253	EAMM-U-70-S48-60P-96
EMMS-AS-70-...	2787320	EAMM-U-70-S48-70A-96
EMMS-AS-70-...	1217689	EAMM-U-86-S48-70A-102
With stepper motor		
EMMS-ST-57-...	★ 1219379	EAMM-U-60-S48-57A-91
EMMS-ST-87-...	★ 1217604	EAMM-U-86-S48-87A-177
With gear unit		
EMGA-40-P-...	2283760	EAMM-U-60-S48-40G-91
EMGC-40-P-...	2283760	EAMM-U-60-S48-40G-91
EMGA-60-P-...-SAS/ SST <sup>2)</sup>	2801627	EAMM-U-70-S48-60G-96
EMGA-60-P-...-EAS, EMGC-60-P-... <sup>2)</sup>	2801715	EAMM-U-70-S48-60H-96
EMGA-60-P-...-SAS/ SST <sup>2)</sup>	1587251	EAMM-U-86-S48-60G-102
EMGA-60-P-...-EAS, EMGC-60-P-... <sup>2)</sup>	1587338	EAMM-U-86-S48-60H-102

Motor / Gear unit <sup>1)</sup>	Parallel kit	
Type	Part No.	Type
<b>EGC-HD-220</b>		
With servo motor		
EMMS-AS-70-...	1217543	EAMM-U-86-S62-70A-177
EMME-AS-80-...	★ 2157004	EAMM-U-86-S62-80P-177
EMME-AS-100-...	1217381	EAMM-U-110-S62-100A-207
EMMS-AS-100-...	1217381	EAMM-U-110-S62-100A-207
EMMS-AS-140-...	1219440	EAMM-U-145-S62-140A-288
With stepper motor		
EMMS-ST-87-...	★ 1217373	EAMM-U-86-S62-87A-177
With gear unit		
EMGA-60-P-...-SAS/ SST <sup>2)</sup>	1587411	EAMM-U-86-S62-60G-177
EMGA-60-P-...-EAS, EMGC-60-P-... <sup>2)</sup>	1587453	EAMM-U-86-S62-60H-177

- 1) The input torque must not exceed the max. perm. transferable torque of the parallel kit.
- 2) Gear unit drive shaft Ø: EMGA-60-P-...-SAS/-SST: 11 mm; EMGA-60-P-...-EAS, EMGC-60-P: 14 mm



Note

Clamping element EADT for adjusting the toothed belt pretension for EAMM-U-110 and EAMM-U-145 → Page 21

Festo core product range

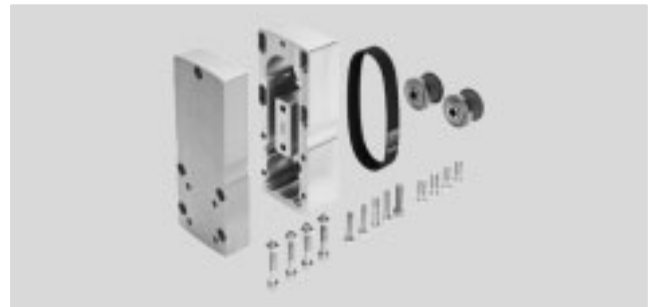
- ★ Ready for dispatch from the Festo factory in 24 hours
- ☆ Ready for dispatch in 5 days maximum from stock

# Parallel kits EAMM-U-...-D/S

Technical data

Materials:

- Housing: Wrought aluminium alloy
- Clamping sleeve, toothed belt pulley: Corrosion-resistant steel
- Toothed belt: Polychloroprene
- Screws: Galvanised steel



General technical data									
Type	For axis	Transferable torque [Nm]	Mass moment of inertia [kgmm <sup>2</sup> ]	Maximum speed [1/min]	No-load driving torque [Nm]	Weight [g]	→ Page		
EAMM-U-50-D32-32B-78	ESBF, EGSL	1	12.1	6000	0.01	608	17		
EAMM-U-50-D32-40A-78						600			
EAMM-U-50-D32-40A-78-S1						620			
EAMM-U-50-D32-40P-78						596			
EAMM-U-50-D32-40P-78-S1						610			
EAMM-U-50-D32-42A-78						610			
EAMM-U-50-D32-42A-78-S1						630			
EAMM-U-50-S38-40A-78						ELGA-BS, EGC-BS, EGC-HD-BS		580	20
EAMM-U-50-S38-40P-78								577	
EAMM-U-50-S38-42A-78	590								
EAMM-U-60-D32-40G-91	ESBF, EGSL	3	26.7	6000	0.07	1100	17		
EAMM-U-60-D32-40G-91-S1						1140			
EAMM-U-60-D32-42B/C-91						1100			
EAMM-U-60-D32-42B/C-91-S1						1140			
EAMM-U-60-D32-55A-91						1050			
EAMM-U-60-D32-55A-91-S1						1100			
EAMM-U-60-D32-57A-91						1160			
EAMM-U-60-D32-57A-91-S1						1190			
EAMM-U-60-D40-40G-91						1080			
EAMM-U-60-D40-40G-91-S1						1130			
EAMM-U-60-D40-42B/C-91						1080			
EAMM-U-60-D40-42B/C-91-S1						1130			
EAMM-U-60-D40-55A-91						1040			
EAMM-U-60-D40-55A-91-S1						1080			
EAMM-U-60-D40-57A-91						1140			
EAMM-U-60-D40-57A-91-S1						1170			
EAMM-U-60-S38-40G-91						ELGA-BS, EGC-BS, EGC-HD-BS		1040	20
EAMM-U-60-S38-55A-91								990	
EAMM-U-60-S38-57A-91								1090	
EAMM-U-60-S48-40G-91								1110	
EAMM-U-60-S48-55A-91								1060	
EAMM-U-60-S48-57A-91	1160								
EAMM-U-70-D32-52B/C-96	ESBF, EGSL	7	118	5000	0.18	1800	17		
EAMM-U-70-D32-52B/C-96-S1						1820			
EAMM-U-70-D32-60G-96						1760			
EAMM-U-70-D32-60G-96-S1						1790			
EAMM-U-70-D32-60H-96						1750			
EAMM-U-70-D32-60H-96-S1						1780			
EAMM-U-70-D32-60P-96						1750			
EAMM-U-70-D32-60P-96-S1						1770			
EAMM-U-70-D32-70A-96						1720			
EAMM-U-70-D32-70A-96-S1						1750			

# Parallel kits EAMM-U-...-D/S

Technical data

General technical data												
Type	For axis	Transferable torque [Nm]	Mass moment of inertia [kgmm <sup>2</sup> ]	Maximum speed [1/min]	No-load driving torque [Nm]	Weight [g]	➔ Page					
EAMM-U-70-D40-52B/C-96	ESBF, EGSL	7	118	5000	0.18	1780	17					
EAMM-U-70-D40-52B/C-96-S1	ESBF					1800						
EAMM-U-70-D40-60G-96	ESBF, EGSL					1740						
EAMM-U-70-D40-60G-96-S1	ESBF					1770						
EAMM-U-70-D40-60H-96	ESBF, EGSL					1730						
EAMM-U-70-D40-60H-96-S1	ESBF					1760						
EAMM-U-70-D40-60P-96	ESBF, EGSL					1730						
EAMM-U-70-D40-60P-96-S1	ESBF					1750						
EAMM-U-70-D40-70A-96	ESBF, EGSL					1700						
EAMM-U-70-D40-70A-96-S1	ESBF					1730						
EAMM-U-70-S48-60G-96	ELGA-BS, EGC-BS, EGC-HD-BS					1780						
EAMM-U-70-S48-60H-96						1780						
EAMM-U-70-S48-60P-96						1790						
EAMM-U-70-S48-70A-96						1750						
EAMM-U-86-D40-52B/C-102	ESBF, EGSL	9.5	175	5000	0.25	2520	18					
EAMM-U-86-D40-52B/C-102-S1	ESBF					2540						
EAMM-U-86-D40-60G-102	ESBF, EGSL					2480						
EAMM-U-86-D40-60G-102-S1	ESBF					2500						
EAMM-U-86-D40-60H-102	ESBF, EGSL					2470						
EAMM-U-86-D40-60H-102-S1	ESBF					2490						
EAMM-U-86-D40-70A-102	ESBF, EGSL					2450						
EAMM-U-86-D40-70A-102-S1	ESBF					2460						
EAMM-U-86-D40-80P-102	ESBF, EGSL					2300						
EAMM-U-86-D40-80P-102-S1	ESBF					2320						
EAMM-U-86-D40-87A-102	ESBF, EGSL					2510						
EAMM-U-86-D40-87A-102-S1	ESBF					2530						
EAMM-U-86-D50-80P-102	ESBF					9.5		175	5000	0.25	2330	14
EAMM-U-86-D50-80P-102-S1											2350	
EAMM-U-86-D50-87A-102		2550										
EAMM-U-86-D50-87A-102-S1		2560										
EAMM-U-86-D50-60H-102		2500										
EAMM-U-86-D50-60H-102-S1		2520										
EAMM-U-86-D50-60G-102		2510										
EAMM-U-86-D50-60G-102-S1		2530										
EAMM-U-86-D60-52B/C-102	ESBF, EGSL	9.5	175	5000	0.25	2520	18					
EAMM-U-86-D60-52B/C-102-S1	ESBF					2540						
EAMM-U-86-D60-60G-102	ESBF, EGSL					2480						
EAMM-U-86-D60-60G-102-S1	ESBF					2500						
EAMM-U-86-D60-60H-102	ESBF, EGSL					2470						
EAMM-U-86-D60-60H-102-S1	ESBF					2490						
EAMM-U-86-D60-70A-102	ESBF, EGSL					2440						
EAMM-U-86-D60-70A-102-S1	ESBF					2460						
EAMM-U-86-D60-80P-102	ESBF, EGSL					2300						
EAMM-U-86-D60-80P-102-S1	ESBF					2320						
EAMM-U-86-D60-87A-102	ESBF, EGSL					2510						
EAMM-U-86-D60-87A-102-S1	ESBF					2520						
EAMM-U-86-S48-60G-102	ELGA-BS, EGC-BS, EGC-HD-BS					9.5		175	5000	0.25	2480	20
EAMM-U-86-S48-60H-102											2470	
EAMM-U-86-S48-70A-102		2440										
EAMM-U-86-S48-87A-177		3270										
EAMM-U-86-S62-60G-177		3300										
EAMM-U-86-S62-60H-177		3290										
EAMM-U-86-S62-70A-177		3270										

# Parallel kits EAMM-U-...-D/S

Technical data

General technical data													
Type	For axis	Transferable torque [Nm]	Mass moment of inertia [kgmm <sup>2</sup> ]	Maximum speed [1/min]	No-load driving torque [Nm]	Weight [g]	→ Page						
EAMM-U-86-S62-80P-177	ELGA-BS, EGC-BS, EGC-HD-BS	9.5	175	5000	0.25	3130	20						
EAMM-U-86-S62-87A-177						3330							
EAMM-U-110-D50-100A-120	ESBF	25	799	5000	0.3	4990	14						
EAMM-U-110-D50-100A-120-S1						5050							
EAMM-U-110-D50-60H-120						5280							
EAMM-U-110-D50-60H-120-S1						5310							
EAMM-U-110-D50-60G-120						5290							
EAMM-U-110-D50-60G-120-S1						5320							
EAMM-U-110-D50-80G-120						5160							
EAMM-U-110-D50-80G-120-S1						5220							
EAMM-U-110-D60-60G-120						ESBF, EGSL		25	799	5000	0.3	5250	17, 14
EAMM-U-110-D60-60G-120-S1												5080	
EAMM-U-110-D60-60H-120	5240												
EAMM-U-110-D60-60H-120-S1	5270												
EAMM-U-110-D60-62B-120	5230												
EAMM-U-110-D60-62B-120-S1	5270												
EAMM-U-110-D60-80G-120	5120												
EAMM-U-110-D60-80G-120-S1	5180												
EAMM-U-110-D60-100A-120	4950												
EAMM-U-110-D60-100A-120-S1	5020												
EAMM-U-110-D80-80G-120	ESBF	25	799	5000	0.3		5240					14	
EAMM-U-110-D80-80G-120-S1							5310						
EAMM-U-110-D80-100A-120							5070						
EAMM-U-110-D80-100A-120-S1							5140						
EAMM-U-110-S62-100A-207	ELGA-BS, EGC-BS, EGC-HD-BS	25	799	5000	0.3	6900	20						
EAMM-U-110-S95-100A-207						6810							
EAMM-U-110-S95-80G-207						6940							
EAMM-U-145-D80-140A-188	ESBF	50	2270	4000	2.0	11900	14						
EAMM-U-145-D80-140A-188-S1						12100							
EAMM-U-145-D100-120G-188						12000							
EAMM-U-145-D100-120G-188-S1						12100							
EAMM-U-145-D100-140A-188						11800							
EAMM-U-145-D100-140A-188-S1						11900							
EAMM-U-145-S62-140A-288						ELGA-BS, EGC-BS, EGC-HD-BS		25	799	5000	0.3	15030	20
EAMM-U-145-S95-140A-288	14850												

Operating and environmental conditions	
Gear ratio	1:1
Ambient temperature [°C]	-10 ... +60
Storage temperature [°C]	-25 ... +60
Degree of protection <sup>1)</sup>	
EAMM-U-...	IP40
EAMM-U-...-S1	IP65
Relative humidity [%]	0 ... 95
Corrosion resistance class CRC <sup>2)</sup>	2
Note on materials	RoHS-compliant

1) Only in combination with attached motor and axis.  
 2) Corrosion resistance class CRC 2 to Festo standard FN 940070  
 Moderate corrosion stress. Indoor applications in which condensation may occur. External visible parts with primarily decorative requirements for the surface and which are in direct contact with the ambient atmosphere typical for industrial applications.

# Parallel kits EAMM-U-...-D/S

Technical data

FESTO

## Dimensions and ordering data

Download CAD data → [www.festo.com](http://www.festo.com)

ESBF-BS-...

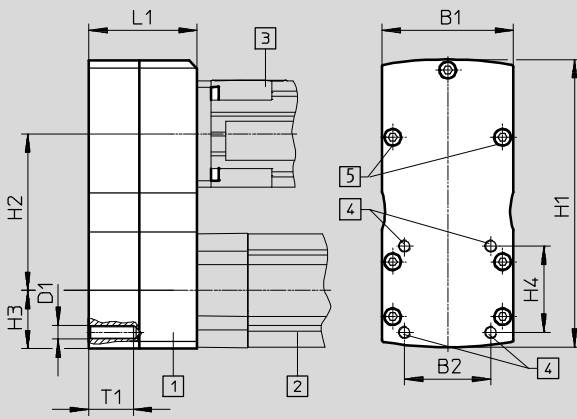


Illustration:

- 1 Parallel kit
- 2 Electric cylinder
- 3 Motor
- 4 Interface for mounting accessories
- 5 Only with EAMM-U-...-S1 (with degree of protection IP65)

Type	B1	B2	D1	H1	H2 ±1	H3	H4	L1	T1	Part No.	Type									
EAMM-U-50-D32-40A-78	50	32.5	M6	128.8	78	22.8	32.5	45	15	1201591	EAMM-U-50-D32-40A-78									
EAMM-U-50-D32-40A-78-S1										1202302	EAMM-U-50-D32-40A-78-S1									
EAMM-U-50-D32-40P-78										★ 2153283	EAMM-U-50-D32-40P-78									
EAMM-U-50-D32-40P-78-S1										2154009	EAMM-U-50-D32-40P-78-S1									
EAMM-U-50-D32-42A-78										★ 1201607	EAMM-U-50-D32-42A-78									
EAMM-U-50-D32-42A-78-S1										1202312	EAMM-U-50-D32-42A-78-S1									
EAMM-U-60-D32-40G-91	60	32.5	M6	157	91.5	27.5	32.5	56	15	1577358	EAMM-U-60-D32-40G-91									
EAMM-U-60-D32-40G-91-S1										1577346	EAMM-U-60-D32-40G-91-S1									
EAMM-U-60-D32-55A-91										1210126	EAMM-U-60-D32-55A-91									
EAMM-U-60-D32-55A-91-S1										1210450	EAMM-U-60-D32-55A-91-S1									
EAMM-U-60-D32-57A-91										★ 1210419	EAMM-U-60-D32-57A-91									
EAMM-U-60-D32-57A-91-S1										1210453	EAMM-U-60-D32-57A-91-S1									
EAMM-U-60-D40-40G-91										1577165	EAMM-U-60-D40-40G-91									
EAMM-U-60-D40-40G-91-S1		1435968	EAMM-U-60-D40-40G-91-S1																	
EAMM-U-60-D40-55A-91		38	M6	173.5	96	34.5	38	64.5	15	1210438	EAMM-U-60-D40-55A-91									
EAMM-U-60-D40-55A-91-S1										1210458	EAMM-U-60-D40-55A-91-S1									
EAMM-U-60-D40-57A-91										★ 1210442	EAMM-U-60-D40-57A-91									
EAMM-U-60-D40-57A-91-S1										1210462	EAMM-U-60-D40-57A-91-S1									
EAMM-U-70-D32-60G-96										70	32.5	M6	173.5	96	34.5	32.5	64.5	15	2748181	EAMM-U-70-D32-60G-96
EAMM-U-70-D32-60G-96-S1																			2778302	EAMM-U-70-D32-60G-96-S1
EAMM-U-70-D32-60H-96	2778393	EAMM-U-70-D32-60H-96																		
EAMM-U-70-D32-60H-96-S1	2781450	EAMM-U-70-D32-60H-96-S1																		
EAMM-U-70-D32-60P-96	★ 2619586	EAMM-U-70-D32-60P-96																		
EAMM-U-70-D32-60P-96-S1	2619688	EAMM-U-70-D32-60P-96-S1																		
EAMM-U-70-D32-70A-96	2755565	EAMM-U-70-D32-70A-96																		
EAMM-U-70-D32-70A-96-S1	2781711	EAMM-U-70-D32-70A-96-S1																		
EAMM-U-70-D40-60G-96	38	M6	173.5	96	34.5	38	64.5	15	2785471		EAMM-U-70-D40-60G-96									
EAMM-U-70-D40-60G-96-S1									2785542		EAMM-U-70-D40-60G-96-S1									
EAMM-U-70-D40-60H-96									2786101		EAMM-U-70-D40-60H-96									
EAMM-U-70-D40-60H-96-S1									2786137		EAMM-U-70-D40-60H-96-S1									
EAMM-U-70-D40-60P-96									★ 2617488		EAMM-U-70-D40-60P-96									
EAMM-U-70-D40-60P-96-S1									2546123		EAMM-U-70-D40-60P-96-S1									
EAMM-U-70-D40-70A-96									2786204	EAMM-U-70-D40-70A-96										
EAMM-U-70-D40-70A-96-S1	2786316	EAMM-U-70-D40-70A-96-S1																		

Festo core product range

- ★ Ready for dispatch from the Festo factory in 24 hours
- ☆ Ready for dispatch in 5 days maximum from stock

# Parallel kits EAMM-U-...-D/S

Technical data

FESTO

## Dimensions and ordering data

Download CAD data → [www.festo.com](http://www.festo.com)

ESBF-BS-...

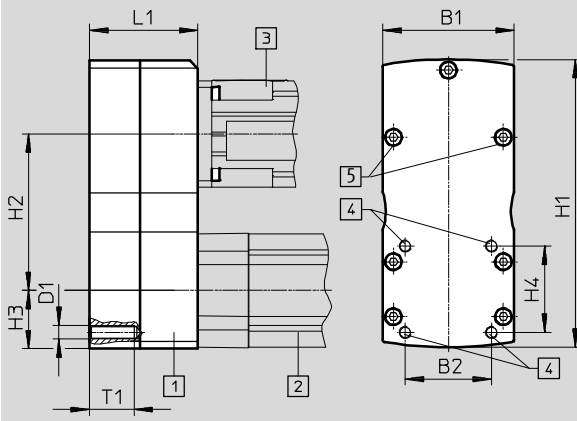


Illustration:

- 1 Parallel kit
- 2 Electric cylinder
- 3 Motor
- 4 Interface for mounting accessories
- 5 Only with EAMM-U...-S1 (with degree of protection IP65)

Type	B1	B2	D1	H1	H2 ±1	H3	H4	L1	T1	Part No.	Type									
EAMM-U-86-D40-60G-102	86	38	M6	188.5	102.5	38	38	69	16	1586445	EAMM-U-86-D40-60G-102									
EAMM-U-86-D40-60G-102-S1										1586429	EAMM-U-86-D40-60G-102-S1									
EAMM-U-86-D40-60H-102										1586496	EAMM-U-86-D40-60H-102									
EAMM-U-86-D40-60H-102-S1										1586372	EAMM-U-86-D40-60H-102-S1									
EAMM-U-86-D40-70A-102										1212826	EAMM-U-86-D40-70A-102									
EAMM-U-86-D40-70A-102-S1										1212854	EAMM-U-86-D40-70A-102-S1									
EAMM-U-86-D40-80P-102										★2802441	EAMM-U-86-D40-80P-102									
EAMM-U-86-D40-80P-102-S1										2802656	EAMM-U-86-D40-80P-102-S1									
EAMM-U-86-D40-87A-102										★1215802	EAMM-U-86-D40-87A-102									
EAMM-U-86-D40-87A-102-S1										1215814	EAMM-U-86-D40-87A-102-S1									
EAMM-U-86-D50-60G-102	86	46.5	M8	188.5	102.5	38	46.5	71	16	2803125	EAMM-U-86-D50-60G-102									
EAMM-U-86-D50-60G-102-S1										2803197	EAMM-U-86-D50-60G-102-S1									
EAMM-U-86-D50-60H-102										2803326	EAMM-U-86-D50-60H-102									
EAMM-U-86-D50-60H-102-S1										2803325	EAMM-U-86-D50-60H-102-S1									
EAMM-U-86-D50-80P-102										★2803053	EAMM-U-86-D50-80P-102									
EAMM-U-86-D50-80P-102-S1										2803073	EAMM-U-86-D50-80P-102-S1									
EAMM-U-86-D50-87A-102										★2802708	EAMM-U-86-D50-87A-102									
EAMM-U-86-D50-87A-102-S1										2802742	EAMM-U-86-D50-87A-102-S1									
EAMM-U-110-D50-60G-120										110	46.5	M8	225	120	45	46.5	82	16	2797368	EAMM-U-110-D50-60G-120
EAMM-U-110-D50-60G-120-S1																			2798665	EAMM-U-110-D50-60G-120-S1
EAMM-U-110-D50-60H-120	2798760	EAMM-U-110-D50-60H-120																		
EAMM-U-110-D50-60H-120-S1	2799150	EAMM-U-110-D50-60H-120-S1																		
EAMM-U-110-D50-80G-120	2799196	EAMM-U-110-D50-80G-120																		
EAMM-U-110-D50-80G-120-S1	2799281	EAMM-U-110-D50-80G-120-S1																		
EAMM-U-110-D50-100A-120	★2799424	EAMM-U-110-D50-100A-120																		
EAMM-U-110-D50-100A-120-S1	2799488	EAMM-U-110-D50-100A-120-S1																		
EAMM-U-86-D60-52B/C-102	86	56.5	M8	188.5	102.5	38	56.5	71	16										1537000	EAMM-U-86-D60-52B/C-102
EAMM-U-86-D60-52B/C-102-S1																			1431381	EAMM-U-86-D60-52B/C-102-S1
EAMM-U-86-D60-60G-102										1586347	EAMM-U-86-D60-60G-102									
EAMM-U-86-D60-60G-102-S1										1437163	EAMM-U-86-D60-60G-102-S1									
EAMM-U-86-D60-70A-102										1212477	EAMM-U-86-D60-70A-102									
EAMM-U-86-D60-70A-102-S1										1212835	EAMM-U-86-D60-70A-102-S1									
EAMM-U-86-D60-80P-102										★2155875	EAMM-U-86-D60-80P-102									
EAMM-U-86-D60-80P-102-S1										2156527	EAMM-U-86-D60-80P-102-S1									
EAMM-U-86-D60-87A-102										★1215784	EAMM-U-86-D60-87A-102									
EAMM-U-86-D60-87A-102-S1										1215810	EAMM-U-86-D60-87A-102-S1									

Festo core product range

- ★ Ready for dispatch from the Festo factory in 24 hours
- ☆ Ready for dispatch in 5 days maximum from stock

# Parallel kits EAMM-U-...-D/S

Technical data

FESTO

## Dimensions and ordering data

Download CAD data → [www.festo.com](http://www.festo.com)

ESBF-BS-...

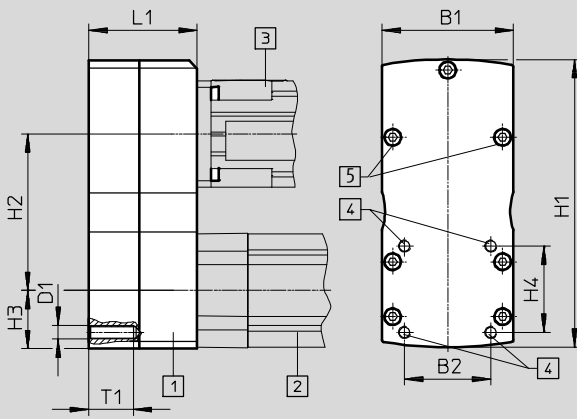


Illustration:

- 1 Parallel kit
- 2 Electric cylinder
- 3 Motor
- 4 Interface for mounting accessories
- 5 Only with EAMM-U-...-S1 (with degree of protection IP65)

Type	B1	B2	D1	H1	H2 ±1	H3	H4	L1	T1	Part No.	Type
EAMM-U-110-D60-60G-120	110	56.5	M8	225	120	45	56.5	82	16	1543240	EAMM-U-110-D60-60G-120
EAMM-U-110-D60-60G-120-S1										1436183	EAMM-U-110-D60-60G-120-S1
EAMM-U-110-D60-60H-120										1542264	EAMM-U-110-D60-60H-120
EAMM-U-110-D60-60H-120-S1										1530621	EAMM-U-110-D60-60H-120-S1
EAMM-U-110-D60-62B-120										1536988	EAMM-U-110-D60-62B-120
EAMM-U-110-D60-62B-120-S1										1431443	EAMM-U-110-D60-62B-120-S1
EAMM-U-110-D60-80G-120										1532949	EAMM-U-110-D60-80G-120
EAMM-U-110-D60-80G-120-S1										1530875	EAMM-U-110-D60-80G-120-S1
EAMM-U-110-D60-100A-120										★ 1202436	EAMM-U-110-D60-100A-120
EAMM-U-110-D60-100A-120-S1										1203112	EAMM-U-110-D60-100A-120-S1
EAMM-U-110-D80-80G-120	110	72	M10	235	120	55	72	82	20.5	1589614	EAMM-U-110-D80-80G-120
EAMM-U-110-D80-80G-120-S1										1589706	EAMM-U-110-D80-80G-120-S1
EAMM-U-110-D80-100A-120										1465438	EAMM-U-110-D80-100A-120
EAMM-U-110-D80-100A-120-S1										1433650	EAMM-U-110-D80-100A-120-S1
EAMM-U-145-D80-140A-188	145	72	M10	348	188	70	72	99.5	25	1465530	EAMM-U-145-D80-140A-188
EAMM-U-145-D80-140A-188-S1										1433709	EAMM-U-145-D80-140A-188-S1
EAMM-U-145-D100-120G-188	145	89	M10	348	188	70	89	99.5	25	2803620	EAMM-U-145-D100-120G-188
EAMM-U-145-D100-120G-188-S1										2803622	EAMM-U-145-D100-120G-188-S1
EAMM-U-145-D100-140A-188										1465541	EAMM-U-145-D100-140A-188
EAMM-U-145-D100-140A-188-S1										1433852	EAMM-U-145-D100-140A-188-S1

Festo core product range

★ Ready for dispatch from the Festo factory in 24 hours

☆ Ready for dispatch in 5 days maximum from stock



# Parallel kits EAMM-U-...-D/S

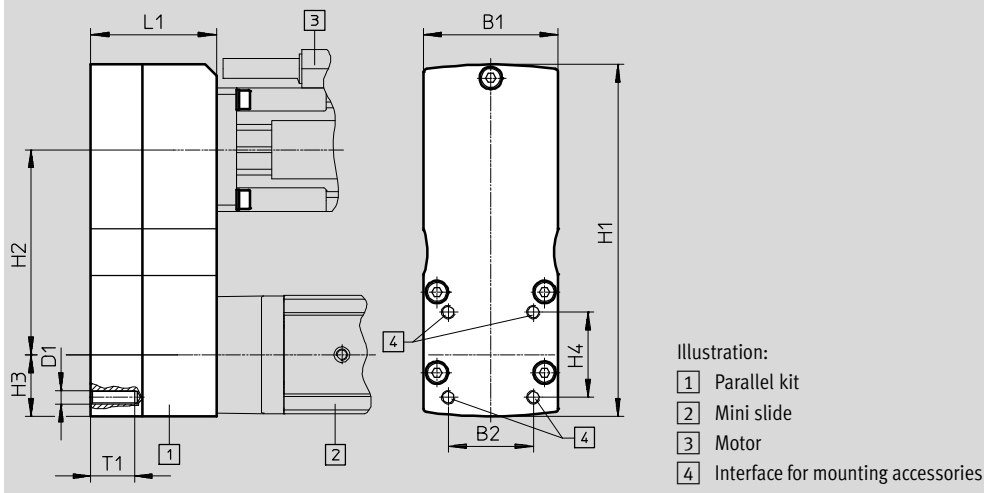
Technical data

FESTO

## Dimensions and ordering data

Download CAD data → [www.festo.com](http://www.festo.com)

EGSL-...



Type	B1	B2	D1	H1	H2 ±1	H3	H4	L1	T1 +0.2	Part No.	Type						
EAMM-U-50-D32-32B-78	50	32.5	M6	128.8	78	22.8	32.5	45	15	1570862	EAMM-U-50-D32-32B-78						
EAMM-U-50-D32-40A-78										1201591	EAMM-U-50-D32-40A-78						
EAMM-U-50-D32-40A-78-S1										1202302	EAMM-U-50-D32-40A-78-S1						
EAMM-U-50-D32-40P-78										★ 2153283	EAMM-U-50-D32-40P-78						
EAMM-U-50-D32-40P-78-S1										2154009	EAMM-U-50-D32-40P-78-S1						
EAMM-U-50-D32-42A-78										★ 1201607	EAMM-U-50-D32-42A-78						
EAMM-U-50-D32-42A-78-S1										1202312	EAMM-U-50-D32-42A-78-S1						
EAMM-U-60-D32-40G-91										60	32.5	M6	157	91.5	27.5	32.5	56
EAMM-U-60-D32-40G-91-S1	1577346	EAMM-U-60-D32-40G-91-S1															
EAMM-U-60-D32-42B/C-91	1577393	EAMM-U-60-D32-42B/C-91															
EAMM-U-60-D32-42B/C-91-S1	1577380	EAMM-U-60-D32-42B/C-91-S1															
EAMM-U-60-D32-55A-91	1210126	EAMM-U-60-D32-55A-91															
EAMM-U-60-D32-55A-91-S1	1210450	EAMM-U-60-D32-55A-91-S1															
EAMM-U-60-D32-57A-91	★ 1210419	EAMM-U-60-D32-57A-91															
EAMM-U-60-D32-57A-91-S1	1210453	EAMM-U-60-D32-57A-91-S1															
EAMM-U-60-D40-40G-91	38	M6	157	91.5	27.5	38	56	15	1577165		EAMM-U-60-D40-40G-91						
EAMM-U-60-D40-40G-91-S1									1435968		EAMM-U-60-D40-40G-91-S1						
EAMM-U-60-D40-42B/C-91									1570950		EAMM-U-60-D40-42B/C-91						
EAMM-U-60-D40-42B/C-91-S1									1430735		EAMM-U-60-D40-42B/C-91-S1						
EAMM-U-60-D40-55A-91									1210438		EAMM-U-60-D40-55A-91						
EAMM-U-60-D40-55A-91-S1									1210458		EAMM-U-60-D40-55A-91-S1						
EAMM-U-60-D40-57A-91									★ 1210442		EAMM-U-60-D40-57A-91						
EAMM-U-60-D40-57A-91-S1									1210462		EAMM-U-60-D40-57A-91-S1						
EAMM-U-70-D32-52B/C-96	70					32.5			M6	173.5	96	34.5	32.5	64.5	15	2755890	EAMM-U-70-D32-52B/C-96
EAMM-U-70-D32-52B/C-96-S1																2781778	EAMM-U-70-D32-52B/C-96-S1
EAMM-U-70-D32-60G-96																2748181	EAMM-U-70-D32-60G-96
EAMM-U-70-D32-60G-96-S1																2778302	EAMM-U-70-D32-60G-96-S1
EAMM-U-70-D32-60H-96																2778393	EAMM-U-70-D32-60H-96
EAMM-U-70-D32-60H-96-S1																2781450	EAMM-U-70-D32-60H-96-S1
EAMM-U-70-D32-60P-96																★ 2619586	EAMM-U-70-D32-60P-96
EAMM-U-70-D32-60P-96-S1																2619688	EAMM-U-70-D32-60P-96-S1

Festo core product range

- ★ Ready for dispatch from the Festo factory in 24 hours
- ☆ Ready for dispatch in 5 days maximum from stock

# Parallel kits EAMM-U-...-D/S

Technical data

FESTO

## Dimensions and ordering data

Download CAD data → [www.festo.com](http://www.festo.com)

EGSL-...

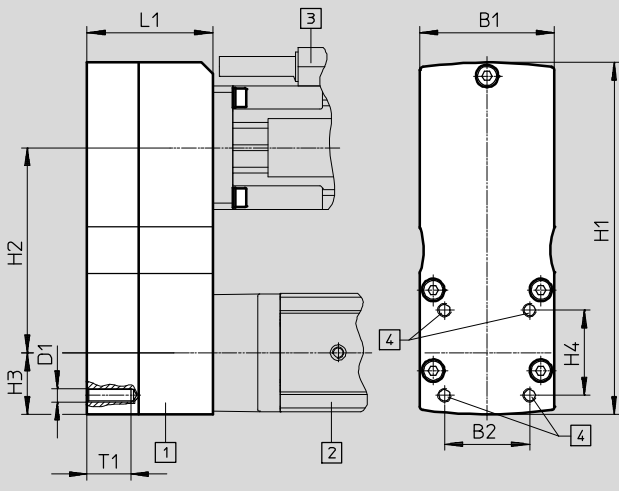


Illustration:

- 1 Parallel kit
- 2 Mini slide
- 3 Motor
- 4 Interface for mounting accessories

Type	B1	B2	D1	H1	H2 ±1	H3	H4	L1	T1 +0.2	Part No.	Type
EAMM-U-70-D32-70A-96	70	32.5	M6	173.5	96	34.5	32.5	64.5	15	2755565	EAMM-U-70-D32-70A-96
EAMM-U-70-D32-70A-96-S1										2781711	EAMM-U-70-D32-70A-96-S1
EAMM-U-70-D40-52B/C-96	70	38	M6	173.5	96	34.5	38	64.5	15	2786802	EAMM-U-70-D40-52B/C-96
EAMM-U-70-D40-52B/C-96-S1										2786845	EAMM-U-70-D40-52B/C-96-S1
EAMM-U-70-D40-60G-96										2785471	EAMM-U-70-D40-60G-96
EAMM-U-70-D40-60G-96-S1										2785542	EAMM-U-70-D40-60G-96-S1
EAMM-U-70-D40-60H-96										2786101	EAMM-U-70-D40-60H-96
EAMM-U-70-D40-60H-96-S1										2786137	EAMM-U-70-D40-60H-96-S1
EAMM-U-70-D40-60P-96										★ 2617488	EAMM-U-70-D40-60P-96
EAMM-U-70-D40-60P-96-S1										2546123	EAMM-U-70-D40-60P-96-S1
EAMM-U-70-D40-70A-96										2786204	EAMM-U-70-D40-70A-96
EAMM-U-70-D40-70A-96-S1										2786316	EAMM-U-70-D40-70A-96-S1
EAMM-U-86-D40-52B/C-102	86	38	M6	188.5	102.5	38	38	69	16	1537046	EAMM-U-86-D40-52B/C-102
EAMM-U-86-D40-52B/C-102-S1										1537011	EAMM-U-86-D40-52B/C-102-S1
EAMM-U-86-D40-60G-102										1586445	EAMM-U-86-D40-60G-102
EAMM-U-86-D40-60G-102-S1										1586429	EAMM-U-86-D40-60G-102-S1
EAMM-U-86-D40-60H-102										1586496	EAMM-U-86-D40-60H-102
EAMM-U-86-D40-60H-102-S1										1586372	EAMM-U-86-D40-60H-102-S1
EAMM-U-86-D40-70A-102										1212826	EAMM-U-86-D40-70A-102
EAMM-U-86-D40-70A-102-S1										1212854	EAMM-U-86-D40-70A-102-S1
EAMM-U-86-D40-80P-102										★ 2802441	EAMM-U-86-D40-80P-102
EAMM-U-86-D40-80P-102-S1										2802656	EAMM-U-86-D40-80P-102-S1
EAMM-U-86-D40-87A-102										★ 1215802	EAMM-U-86-D40-87A-102
EAMM-U-86-D40-87A-102-S1										1215814	EAMM-U-86-D40-87A-102-S1

Festo core product range

- ★ Ready for dispatch from the Festo factory in 24 hours
- ☆ Ready for dispatch in 5 days maximum from stock

# Parallel kits EAMM-U-...-D/S

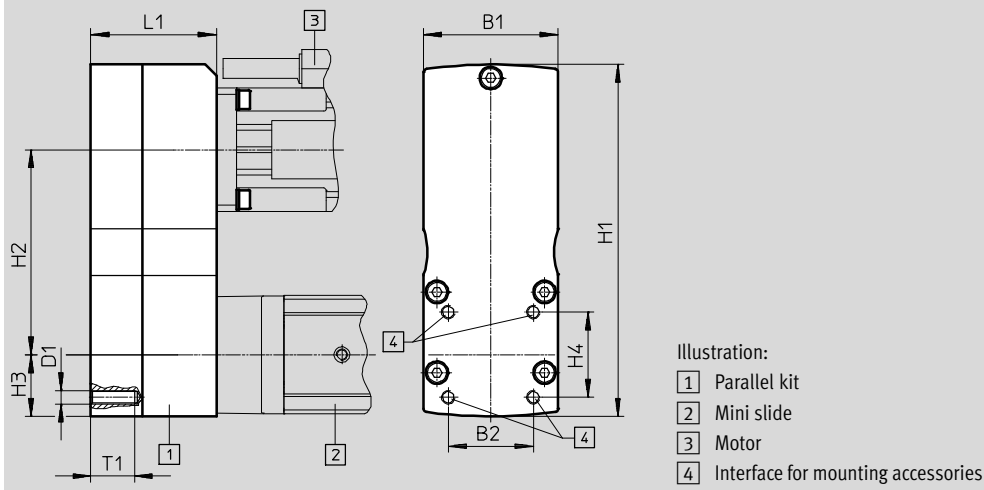
Technical data

FESTO

## Dimensions and ordering data

Download CAD data → [www.festo.com](http://www.festo.com)

EGSL-...



Type	B1	B2	D1	H1	H2 ±1	H3	H4	L1	T1 +0.2	Part No.	Type									
EAMM-U-86-D60-52B/C-102	86	56.5	M8	188.5	102.5	38	56.5	71	16	1537000	EAMM-U-86-D60-52B/C-102									
EAMM-U-86-D60-52B/C-102-S1										1431381	EAMM-U-86-D60-52B/C-102-S1									
EAMM-U-86-D60-60G-102										1586347	EAMM-U-86-D60-60G-102									
EAMM-U-86-D60-60G-102-S1										1437163	EAMM-U-86-D60-60G-102-S1									
EAMM-U-86-D60-60H-102										1586276	EAMM-U-86-D60-60H-102									
EAMM-U-86-D60-60H-102-S1										1530837	EAMM-U-86-D60-60H-102-S1									
EAMM-U-86-D60-70A-102										1212477	EAMM-U-86-D60-70A-102									
EAMM-U-86-D60-70A-102-S1										1212835	EAMM-U-86-D60-70A-102-S1									
EAMM-U-86-D60-80P-102										★ 2155875	EAMM-U-86-D60-80P-102									
EAMM-U-86-D60-80P-102-S1										2156527	EAMM-U-86-D60-80P-102-S1									
EAMM-U-86-D60-87A-102										★ 1215784	EAMM-U-86-D60-87A-102									
EAMM-U-86-D60-87A-102-S1										1215810	EAMM-U-86-D60-87A-102-S1									
EAMM-U-110-D60-60G-120										110	56.5	M8	225	120	45	56.5	82	16	1543240	EAMM-U-110-D60-60G-120
EAMM-U-110-D60-60G-120-S1																			1436183	EAMM-U-110-D60-60G-120-S1
EAMM-U-110-D60-60H-120	1542264	EAMM-U-110-D60-60H-120																		
EAMM-U-110-D60-60H-120-S1	1530621	EAMM-U-110-D60-60H-120-S1																		
EAMM-U-110-D60-62B-120	1536988	EAMM-U-110-D60-62B-120																		
EAMM-U-110-D60-62B-120-S1	1431443	EAMM-U-110-D60-62B-120-S1																		
EAMM-U-110-D60-80G-120	1532949	EAMM-U-110-D60-80G-120																		
EAMM-U-110-D60-80G-120-S1	1530875	EAMM-U-110-D60-80G-120-S1																		
EAMM-U-110-D60-100A-120	★ 1202436	EAMM-U-110-D60-100A-120																		
EAMM-U-110-D60-100A-120-S1	1203112	EAMM-U-110-D60-100A-120-S1																		

Festo core product range

- ★ Ready for dispatch from the Festo factory in 24 hours
- ☆ Ready for dispatch in 5 days maximum from stock

# Parallel kits EAMM-U-...-D/S

Technical data

FESTO

## Dimensions and ordering data

Download CAD data → [www.festo.com](http://www.festo.com)

ELGA-BS/EGC-BS/EGC-HD-BS

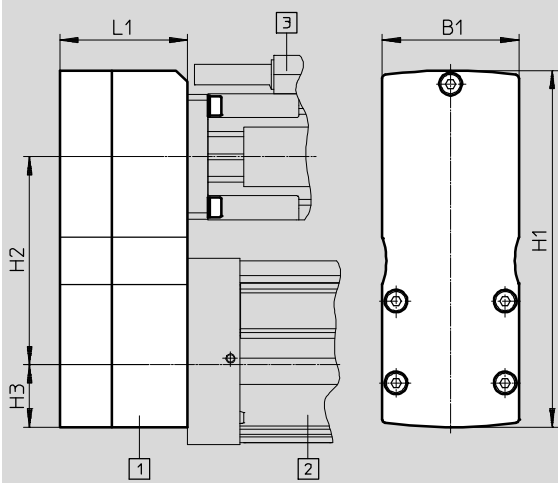


Illustration:

- 1 Parallel kit
- 2 Spindle axis
- 3 Motor

Type	B1	H1	H2 ±1	H3	L1	Part No.	Type
EAMM-U-50-S38-40A-78	50	131	78	25	43	1217708	EAMM-U-50-S38-40A-78
★ 2155239						EAMM-U-50-S38-40P-78	
★ 1217945						EAMM-U-50-S38-42A-78	
EAMM-U-60-S38-40G-91	60	157	91.5	27.5	53	2283732	EAMM-U-60-S38-40G-91
1218538						EAMM-U-60-S38-55A-91	
★ 1218568						EAMM-U-60-S38-57A-91	
EAMM-U-60-S48-40G-91	60	161.5	91.5	32	54	2283760	EAMM-U-60-S48-40G-91
1219370						EAMM-U-60-S48-55A-91	
★ 1219379						EAMM-U-60-S48-57A-91	
EAMM-U-70-S48-60G-96	70	173.5	96	34.5	64.5	2801627	EAMM-U-70-S48-60G-96
2801715						EAMM-U-70-S48-60H-96	
★ 2629253						EAMM-U-70-S48-60P-96	
2787320						EAMM-U-70-S48-70A-96	
EAMM-U-86-S48-60G-102	86	188.5	102.5	38	67	1587251	EAMM-U-86-S48-60G-102
1587338						EAMM-U-86-S48-60H-102	
1217689						EAMM-U-86-S48-70A-102	
EAMM-U-86-S48-87A-177	86	268.5	177.5	43	69	★ 1217604	EAMM-U-86-S48-87A-177
1587411						EAMM-U-86-S62-60G-177	
1587453						EAMM-U-86-S62-60H-177	
1217543						EAMM-U-86-S62-70A-177	
★ 2157004						EAMM-U-86-S62-80P-177	
★ 1217373						EAMM-U-86-S62-87A-177	
★ 1217381						EAMM-U-110-S62-100A-207	
1589544	EAMM-U-110-S95-80G-207						
1220656	EAMM-U-110-S95-100A-207						
EAMM-U-145-S62-140A-288	145	448	288	70	99.5	1219440	EAMM-U-145-S62-140A-288
1220582						EAMM-U-145-S95-140A-288	

Festo core product range

- ★ Ready for dispatch from the Festo factory in 24 hours
- ☆ Ready for dispatch in 5 days maximum from stock

## Parallel kits EAMM-U-...-D/S

Accessories

### Clamping component EADT

Materials:

Polymer

RoHS compliant

For adjusting the toothed belt pretension with EAMM-U-110 and EAMM-U-145.

The motor is pushed away from the axis mechanism by turning the clamping component secured in a hole in the housing (the motor can be moved in a slot for this purpose).

This enables high toothed belt pretension forces to be generated with low torques at the clamping component.

Can only be used in combination with parallel kit EAMM-U-...-D/S.



Ordering data				
Type	Ambient temperature [°C]	Weight [g]	Part No.	Type
EADT-E-U1-110	-10 ... +60	9	1461069	EADT-E-U1-110

### Counter bearing EAMG

Materials:

Wrought aluminium alloy

RoHS compliant

A counter bearing EAMG reduces the load on the axis or motor bearings to improve the service life under high loads. For every counter bearing, an additional clamping sleeve EAMH-...-P is required.

Can only be used in combination with parallel kit EAMM-U-...-D/S.



Ordering data						
Type	For size	Maximum speed [1/min]	Ambient temperature [°C]	Weight [g]	Part No.	Type
EAMG-U1-50	50	6000	-10 ... +60	20	1354281	EAMG-U1-50
EAMG-U1-60-G2	60	6000		35	4164963	EAMG-U1-60-G2
EAMG-U1-70	70	5000		74	2598638	EAMG-U1-70
EAMG-U1-86	86	5000		83	1354283	EAMG-U1-86
EAMG-U1-110	110	5000		169	1354284	EAMG-U1-110
EAMG-U1-145	145	4000		186	1354285	EAMG-U1-145

## Parallel kits EAMM-U-...-D/S

Accessories

FESTO

### Clamping sleeve EAMH-...-P, with trunnion

Materials:

Corrosion-resistant steel

RoHS compliant

To retrofit the counter bearing, the clamping sleeve without trunnion contained as standard in the parallel kit must be replaced by the clamping sleeve EAMH-...-P with integrated trunnion. The appropriate clamping sleeve size for the counter bearing is determined by the size of the parallel kit.

Can only be used in combination with parallel kit EAMM-U-...-D/S.



Ordering data								
Type	For size	For shaft Ø, motor/axis  Ø h7 ... k7	Maximum speed  [1/min]	Mass moment of inertia  [kg mm <sup>2</sup> ]	Ambient temperature  [°C]	Weight  [g]	Part No.	Type
EAMH-50-5-C13.6-P	50	5	6000	0.39	-10 ... +60	20	1354092	EAMH-50-5-C13.6-P
EAMH-50-6-C13.6-P	50	6	6000	0.38		19	1354093	EAMH-50-6-C13.6-P
EAMH-50-8-C13.6-P	50	8	6000	0.35		16	1354094	EAMH-50-8-C13.6-P
EAMH-60-6-C18.1-P	60	6	6000	1.57		44	1354095	EAMH-60-6-C18.1-P
EAMH-60-6.35-C18.1-P	60	6.35	6000	1.56		43	1354096	EAMH-60-6.35-C18.1-P
EAMH-60-8-C18.1-P	60	8	6000	1.53		41	1354097	EAMH-60-8-C18.1-P
EAMH-60-9-C18.1-P	60	9	6000	1.5		39	1354098	EAMH-60-9-C18.1-P
EAMH-60-10-C18.1-P	60	10	6000	1.4		38	1545242	EAMH-60-10-C18.1-P
EAMH-60-11-C18.1-P	60	11	6000	1.31		35	2789343	EAMH-60-11-C18.1-P
EAMH-60-12-C18.1-P	60	12	6000	1.3		32	1354099	EAMH-60-12-C18.1-P
EAMH-86-6-C27.3-P	70, 86	6	5000	12.3		123	2789351	EAMH-86-6-C27.3-P
EAMH-86-8-C27.3-P	70, 86	8	5000	10.3		128	1354100	EAMH-86-8-C27.3-P
EAMH-86-9-C27.3-P	70, 86	9	5000	9		117	2789359	EAMH-86-9-C27.3-P
EAMH-86-10-C27.3-P	70, 86	10	5000	9		115	2789365	EAMH-86-10-C27.3-P
EAMH-86-11-C27.3-P	70, 86	11	5000	10.1		119	1354101	EAMH-86-11-C27.3-P
EAMH-86-12-C27.3-P	70, 86	12	5000	10		115	1354102	EAMH-86-12-C27.3-P
EAMH-86-14-C27.3-P	70, 86	14	5000	8.74		103	1459337	EAMH-86-14-C27.3-P
EAMH-86-16-C27.3-P	70, 86	16	5000	8.3		95	2430402	EAMH-86-16-C27.3-P
EAMH-86-19-C27.3-P	70, 86	19	5000	7.1		78	2406019	EAMH-86-19-C27.3-P
EAMH-110-11-C34-P	110	11	5000	33.2		270	1545245	EAMH-110-11-C34-P
EAMH-110-12-C34-P	110	12	5000	36.3	278	1354103	EAMH-110-12-C34-P	
EAMH-110-14-C34-P	110	14	5000	35.8	267	1354104	EAMH-110-14-C34-P	
EAMH-110-16-C34-P	110	16	5000	35.1	254	1354105	EAMH-110-16-C34-P	
EAMH-110-19-C34-P	110	19	5000	33.3	230	1354106	EAMH-110-19-C34-P	
EAMH-110-20-C34-P	110	20	5000	30.2	217	1545246	EAMH-110-20-C34-P	
EAMH-110-22-C34-P	110	22	5000	28.3	200	2430414	EAMH-110-22-C34-P	
EAMH-110-25-C34-P	110	25	5000	25.8	170	1354107	EAMH-110-25-C34-P	
EAMH-145-12-C34-P	145	12	4000	43.9	338	1354108	EAMH-145-12-C34-P	
EAMH-145-19-C34-P	145	19	4000	38	281	1459342	EAMH-145-19-C34-P	
EAMH-145-24-C34-P	145	24	4000	34	229	1354109	EAMH-145-24-C34-P	
EAMH-145-25-C34-P	145	25	4000	32.1	217	1354110	EAMH-145-25-C34-P	

## Parallel kits EAMM-U-...-D/S

Accessories

**Clamping sleeve EAMH, without trunnion**

Materials:

Corrosion-resistant steel

RoHS compliant

Clamping sleeves for adapting third-party motors with deviating shaft diameters to the parallel kits.

Can only be used in combination with parallel kit EAMM-U-...-D/S.



Ordering data								
Type	For size	For shaft Ø, motor/axis Ø h7 ... k7	Maximum speed [1/min]	Mass moment of inertia [kg mm <sup>2</sup> ]	Ambient temperature [°C]	Weight [g]	Part No.	Type
EAMH-50-5-C13.6	50	5	6000	0.44	-10 ... +60	19	2428478	EAMH-50-5-C13.6
EAMH-50-6-C13.6	50	6	6000	0.43		19	2428479	EAMH-50-6-C13.6
EAMH-50-8-C13.6	50	8	6000	0.40		16	2428480	EAMH-50-8-C13.6
EAMH-60-6-C18.1	60	6	6000	1.46		36	2428515	EAMH-60-6-C18.1
EAMH-60-6.35-C18.1	60	6.35	6000	1.46		36	2428516	EAMH-60-6.35-C18.1
EAMH-60-8-C18.1	60	8	6000	1.44		34	2428517	EAMH-60-8-C18.1
EAMH-60-9-C18.1	60	9	6000	1.42		32	2428518	EAMH-60-9-C18.1
EAMH-60-10-C18.1	60	10	6000	1.38		30	2428519	EAMH-60-10-C18.1
EAMH-60-11-C18.1	60	11	6000	1.31		28	2789160	EAMH-60-11-C18.1
EAMH-60-12-C18.1	60	12	6000	1.22		26	2428520	EAMH-60-12-C18.1
EAMH-86-6-C27.3	70, 86	6	5000	10.2		122	2789214	EAMH-86-6-C27.3
EAMH-86-8-C27.3	70, 86	8	5000	10.3		119	2429531	EAMH-86-8-C27.3
EAMH-86-9-C27.3	70, 86	9	5000	11.6		116	2789221	EAMH-86-9-C27.3
EAMH-86-10-C27.3	70, 86	10	5000	10.1		114	2789230	EAMH-86-10-C27.3
EAMH-86-11-C27.3	70, 86	11	5000	10.2		112	2429532	EAMH-86-11-C27.3
EAMH-86-12-C27.3	70, 86	12	5000	10.1		109	2429533	EAMH-86-12-C27.3
EAMH-86-14-C27.3	70, 86	14	5000	9.9		102	2429534	EAMH-86-14-C27.3
EAMH-86-16-C27.3	70, 86	16	5000	9.5		94	2430397	EAMH-86-16-C27.3
EAMH-86-19-C27.3	70, 86	19	5000	8.2		76	2429535	EAMH-86-19-C27.3
EAMH-110-11-C34	110	11	5000	32.2		233	2429555	EAMH-110-11-C34
EAMH-110-12-C34	110	12	5000	32.1	229	2429556	EAMH-110-12-C34	
EAMH-110-14-C34	110	14	5000	31.8	219	2429557	EAMH-110-14-C34	
EAMH-110-16-C34	110	16	5000	31.2	208	2429558	EAMH-110-16-C34	
EAMH-110-19-C34	110	19	5000	29.9	188	2429559	EAMH-110-19-C34	
EAMH-110-20-C34	110	20	5000	29.2	180	2429560	EAMH-110-20-C34	
EAMH-110-22-C34	110	22	5000	27.3	162	2430411	EAMH-110-22-C34	
EAMH-110-25-C34	110	25	5000	23.4	133	2429561	EAMH-110-25-C34	
EAMH-145-12-C34	145	12	4000	38.1	274	2429590	EAMH-145-12-C34	
EAMH-145-19-C34	145	19	4000	35.5	227	2429591	EAMH-145-19-C34	
EAMH-145-24-C34	145	24	4000	30.0	177	2429592	EAMH-145-24-C34	
EAMH-145-25-C34	145	25	4000	28.1	165	2429593	EAMH-145-25-C34	

# Parallel kits EAMM-U-...-D/S

Accessories

FESTO

## Seal set

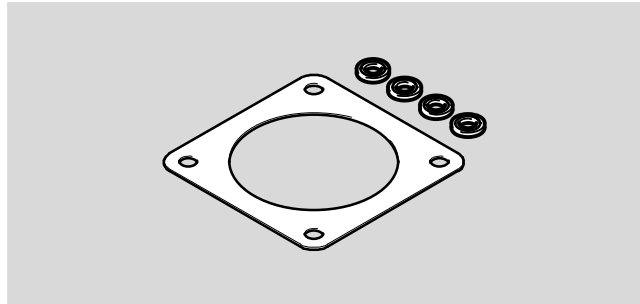
RoHS compliant

Spare part for degree of protection to IP65. Seal between:

- Motor and parallel kit
- Motor and gear unit
- Motor and geometry of customer equipment



Note  
The seal reduces the dissipation of heat between the motor and flange. Note derating of motor.

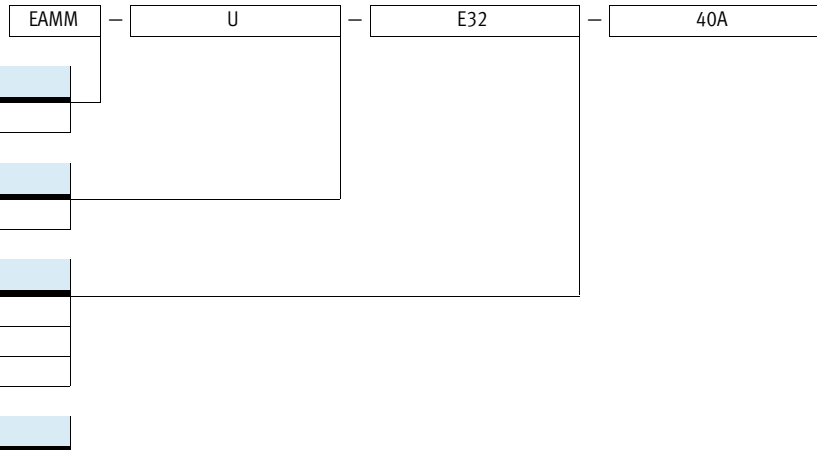


Ordering data					
Type	For parallel kit	For motor/integrated drive	Ambient temperature [°C]	Part No.	Type
EADS-F-40P	EAMM-U-50-D32-40P-78-S1	EMME-AS-40	-25 ... +60	2481475	EADS-F-40P
EADS-F-60P	EAMM-U-70-D32-60P-96-S1 EAMM-U-70-D40-60P-96-S1	EMME-AS-60	-25 ... +60	2481479	EADS-F-60P
EADS-F-80P	EAMM-U-86-D40-80P-102-S1 EAMM-U-86-D50-80P-102-S1 EAMM-U-86-D60-80P-102-S1	EMME-AS-80	-25 ... +60	2481481	EADS-F-80P
EADS-F-100A	EAMM-U-110-D50-100A-120-S1 EAMM-U-110-D60-100A-120-S1 EAMM-U-110-D80-100A-120-S1	EMME-AS-100	-25 ... +60	2481483	EADS-F-100A
EADS-F-40A	EAMM-U-50-D32-40A-78-S1	EMMS-AS-40	-25 ... +60	2481474	EADS-F-40A
EADS-F-55A	EAMM-U-60-D32-55A-91-S1 EAMM-U-60-D40-55A-91-S1	EMMS-AS-55	-25 ... +60	2481477	EADS-F-55A
EADS-F-70A	EAMM-U-70-D32-70A-96-S1 EAMM-U-70-D40-70A-96-S1 EAMM-U-86-D40-70A-102-S1 EAMM-U-86-D60-70A-102-S1	EMMS-AS-70	-25 ... +60	2481480	EADS-F-70A
EADS-F-100A	EAMM-U-110-D50-100A-120-S1 EAMM-U-110-D60-100A-120-S1 EAMM-U-110-D80-100A-120-S1	EMMS-AS-100	-25 ... +60	2481483	EADS-F-100A
EADS-F-140A	EAMM-U-145-D80-140A-188-S1 EAMM-U-145-D100-140A-188-S1	EMMS-AS-140	-25 ... +60	2481484	EADS-F-140A
EADS-F-42A	EAMM-U-50-D32-42A-78-S1	EMMS-ST-42	-25 ... +60	2481476	EADS-F-42A
EADS-F-57A	EAMM-U-60-D32-57A-91-S1 EAMM-U-60-D40-57A-91-S1	EMMS-ST-57	-25 ... +60	2481478	EADS-F-57A
EADS-F-87A	EAMM-U-86-D40-87A-102-S1 EAMM-U-86-D50-87A-102-S1 EAMM-U-86-D60-87A-102-S1	EMMS-ST-87	-25 ... +60	2481482	EADS-F-87A
EADS-F-67A	EAMM-U-60-D32-67A-91-S1 EAMM-U-60-D40-67A-91-S1	EMCA-67	-25 ... +60	1529479	EADS-F-67A/B



# Parallel kits EAMM-U-E

Type codes



Type	
EAMM	Kit

Motor positioning	
U	Parallel

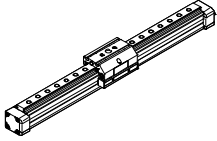
Axis mechanism interface	
E24	DMES-18
E32	DGE-25-SP, DMES-25
E48	DGE-40-SP, DMES-40

Motor interface	
40A	Servo motor EMMS-AS-40
55A	Servo motor EMMS-AS-55
70A	Servo motor EMMS-AS-70
32B	Motor unit MTR-DCI-32S
42B	Motor unit MTR-DCI-42S-...-G7
42C	Motor unit MTR-DCI-42S-...-G14
52B	Motor unit MTR-DCI-52S-...-G7
52C	Motor unit MTR-DCI-52S-...-G14

# Parallel kits EAMM-U-E

Product range overview

## Permissible axis/motor combinations with spindle axis DGE-SP



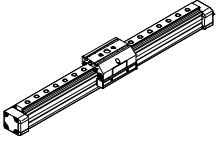
- The kit can be mounted in all directions

Motor	Parallel kit	
Type	Part No.	Type
<b>DGE-25</b>		
With servo motor		
EMMS-AS-55-...	543230	EAMM-U-E32-55A
With motor unit		
MTR-DCI-42S-...-G7	543228	EAMM-U-E32-42B
MTR-DCI-42S-...-G14	543229	EAMM-U-E32-42C
<b>DGE-40</b>		
With servo motor		
EMMS-AS-70-...	543234	EAMM-U-E48-70A
With motor unit		
MTR-DCI-52S-...-G7	543232	EAMM-U-E48-52B
MTR-DCI-52S-...-G14	543233	EAMM-U-E48-52C

# Parallel kits EAMM-U-E


Product range overview

## Permissible axis/motor combinations with positioning axis DMES



- The kit can be mounted in all directions

Motor Type	Parallel kit	
Type	Part No.	Type
<b>DMES-18</b>		
With servo motor		
<b>EMMS-AS-40-...</b>	<b>543226</b>	<b>EAMM-U-E24-40A</b>
With motor unit		
<b>MTR-DCI-32S-...</b>	<b>543225</b>	<b>EAMM-U-E24-32B</b>
<b>DMES-25</b>		
With servo motor		
<b>EMMS-AS-55-...</b>	<b>543230</b>	<b>EAMM-U-E32-55A</b>
With motor unit		
<b>MTR-DCI-42S-...-G7</b>	<b>543228</b>	<b>EAMM-U-E32-42B</b>
<b>MTR-DCI-42S-...-G14</b>	<b>543229</b>	<b>EAMM-U-E32-42C</b>
<b>DMES-40</b>		
With servo motor		
<b>EMMS-AS-70-...</b>	<b>543234</b>	<b>EAMM-U-E48-70A</b>
With motor unit		
<b>MTR-DCI-52S-...-G7</b>	<b>543232</b>	<b>EAMM-U-E48-52B</b>
<b>MTR-DCI-52S-...-G14</b>	<b>543233</b>	<b>EAMM-U-E48-52C</b>

-  - Note

At ambient temperatures below room temperature, the frictional torques increase in the case of the DMES-...-GF (plain-bearing guide).

# Parallel kits EAMM-U-E

## Technical data

### Materials:

Housing: Gravity die-cast aluminium  
 Clamping component, clamping sleeve, toothed belt pulley: Corrosion-resistant steel  
 Toothed belt: Polychloroprene  
 Screws: Galvanised steel



General technical data							
Type	For axis	Transferable torque [Nm]	Mass moment of inertia [kgmm <sup>2</sup> ]	Max. rotational speed [rpm]	No-load driving torque [Nm]	Weight [g]	→ Page
EAMM-U-E24-32B	DMES	1	3.02	3000	0.05	240	29
EAMM-U-E24-40A	DMES	1	3.02	3000	0.05	240	
EAMM-U-E32-42B	DGE-SP, DMES	3	10.2	3000	0.1	660	
EAMM-U-E32-42C	DGE-SP, DMES	3	10.2	3000	0.1	690	
EAMM-U-E32-55A	DGE-SP, DMES	3	10.2	3000	0.1	540	
EAMM-U-E48-52B	DGE-SP, DMES	5.5	71.1	3000	0.3	1700	
EAMM-U-E48-52C	DGE-SP, DMES	5.5	71.1	3000	0.3	1800	
EAMM-U-E48-70A	DGE-SP, DMES	5.5	71.1	3000	0.3	1300	

Operating and environmental conditions		
Gear ratio		1:1
Ambient temperature	[°C]	0 ... +50
Storage temperature	[°C]	-25 ... +60
Degree of protection <sup>1)</sup>		IP40
Relative humidity	[%]	0 ... 95
Corrosion resistance class CRC <sup>2)</sup>		1
Note on materials	Contains paint-wetting impairment substances	
	RoHS-compliant	

1) Only in combination with attached motor and axis.

2) Corrosion resistance class CRC 1 to Festo standard FN 940070

Low corrosion stress. For dry indoor applications or transport and storage protection. Also applies to parts behind covers, in the non-visible interior area, and parts which are covered in the application (e.g. drive trunnions).

# Parallel kits EAMM-U-E

Technical data

## Dimensions and ordering data

Download CAD data → [www.festo.com](http://www.festo.com)

DGE-SP-...

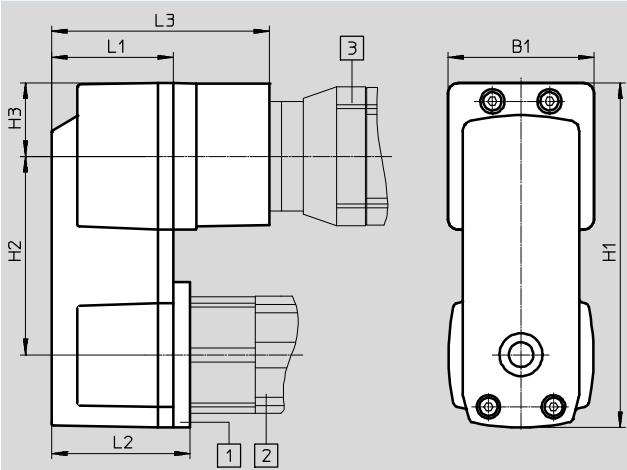


Illustration:

- 1 Parallel kit
- 2 Spindle axis
- 3 Motor

DMES-...

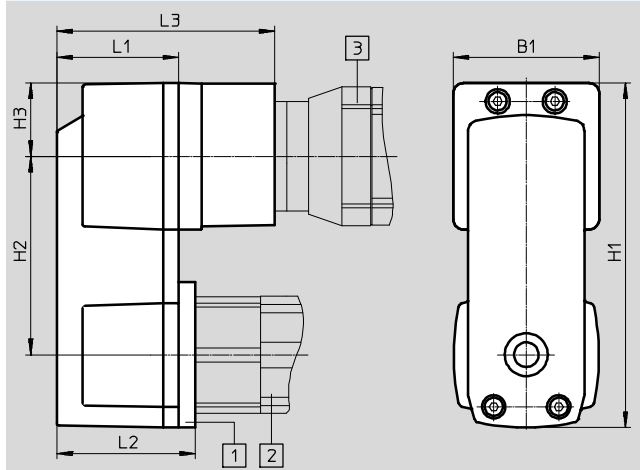


Illustration:

- 1 Parallel kit
- 2 Positioning axis
- 3 Motor

Type	B1	H1	H2	H3	L1	L2	L3	Part No.	Type
EAMM-U-E24-32B <sup>1)</sup>	43.3	110.05	69 <sub>-0.1</sub>	21.7	39	-	-	543225	EAMM-U-E24-32B
EAMM-U-E24-40A <sup>1)</sup>								543226	EAMM-U-E24-40A
EAMM-U-E32-42B	56.4	132.7	76.5 <sub>-0.1</sub>	28.2	47	53.5	84	543228	EAMM-U-E32-42B
EAMM-U-E32-42C							97	543229	EAMM-U-E32-42C
EAMM-U-E32-55A							-	543230	EAMM-U-E32-55A
EAMM-U-E48-52B	85.8	189.9	107.5 <sub>-0.2</sub>	42.9	58	66.5	106	543232	EAMM-U-E48-52B
EAMM-U-E48-52C							120	543233	EAMM-U-E48-52C
EAMM-U-E48-70A							-	543234	EAMM-U-E48-70A

1) Only in combination with DMES-...