

Passive guide axes EGC-FA, without drive



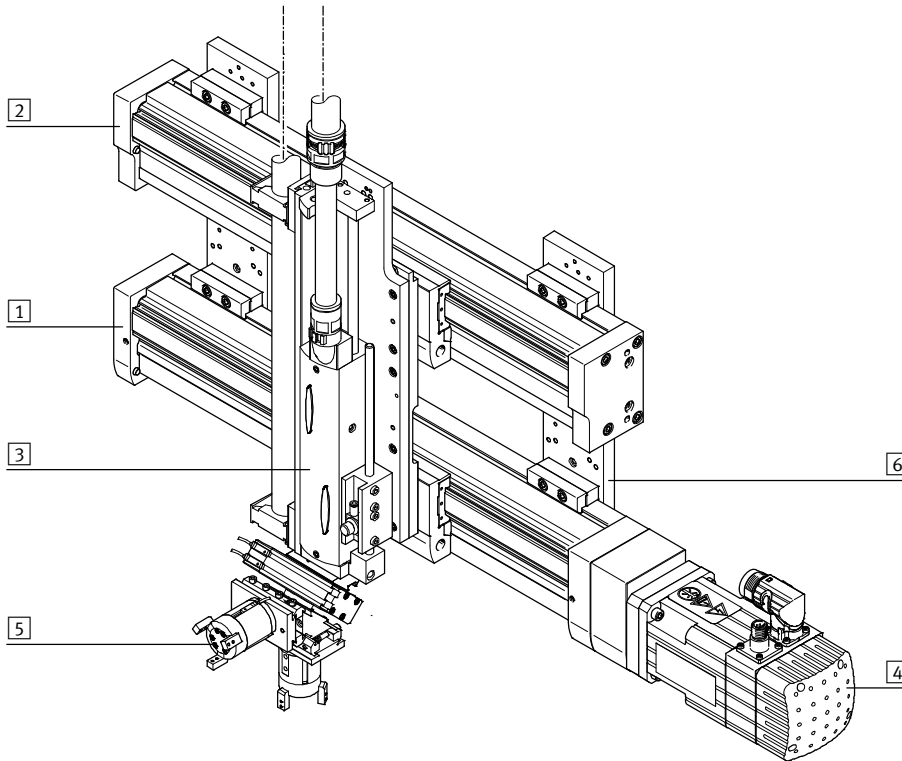
Passive guide axes EGC-FA, without drive

Key features

At a glance

- Driveless linear guide units with guide and freely movable slide
- The passive guide axis is designed to support force and torque capacity in multi-axis applications
- Higher torsional resistance
- Reduced vibrations with dynamic loads
- Drive axis and passive guide axis can be placed adjacent to or above one another

System product for handling and assembly technology



System components and accessories

Type/Order code	Description	→ Page/Internet
1 Axes	Wide range of combinations possible within handling and assembly technology	axis
2 Passive guide axes	For supporting force and torque capacity in multi-axis applications	passive guide axis
3 Drives	Wide range of combinations possible within handling and assembly technology	drive
4 Motors	Servo and stepper motors, with or without gear unit	motor
5 Grippers	Wide range of variations possible within handling and assembly technology	gripper
6 Adapters	For drive/drive and drive/gripper connections	adapter kit

Passive guide axes EGC-FA, without drive

Key features

Slide variants

Standard slide



Additional slide



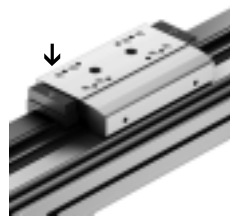
Guide options

Protected version



- The protected guide cleans the guide rail and protects the recirculating ball bearing guide with the aid of an additional wiper

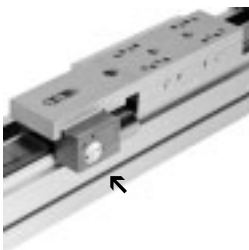
With central lubrication



- The lubrication adapter enables the guide to be permanently lubricated using semi or fully automatic relubrication devices
- The adapters are suitable for oils and greases
- Both lubrication adapters must be connected

Clamping unit

→ 9



- 1 or 2-channel design, for holding loads
- Reliable holding is guaranteed since the forces act directly on the slide
- A limited number of emergency braking operations are permissible with the sizes 120 and 185

Guide axes and the corresponding axes/drives

Passive guide axis ELFA-RF



- Can be combined with:
 - Toothed belt axis ELGA-TB-RF
- For size 70, 80
- Load capacity to max. 800 N or 180 Nm

Passive guide axis DGC-FA



- Can be combined with:
 - Linear drive DGC-KF
- For size 8 ... 63
- Load capacity to max. 15200 N or 1157 Nm

Passive guide axis EGC-FA



- Can be combined with:
 - Toothed belt axis EGC-TB
 - Spindle axis EGC-BS
- For size 70 ... 185
- Load capacity to max. 15200 N or 1157 Nm

Passive guide axis FDG-ZR-RF



- Can be combined with:
 - Toothed belt axis DGE-ZR-RF
- For size 25 ... 63
- Load capacity to max. 600 N or 600 Nm

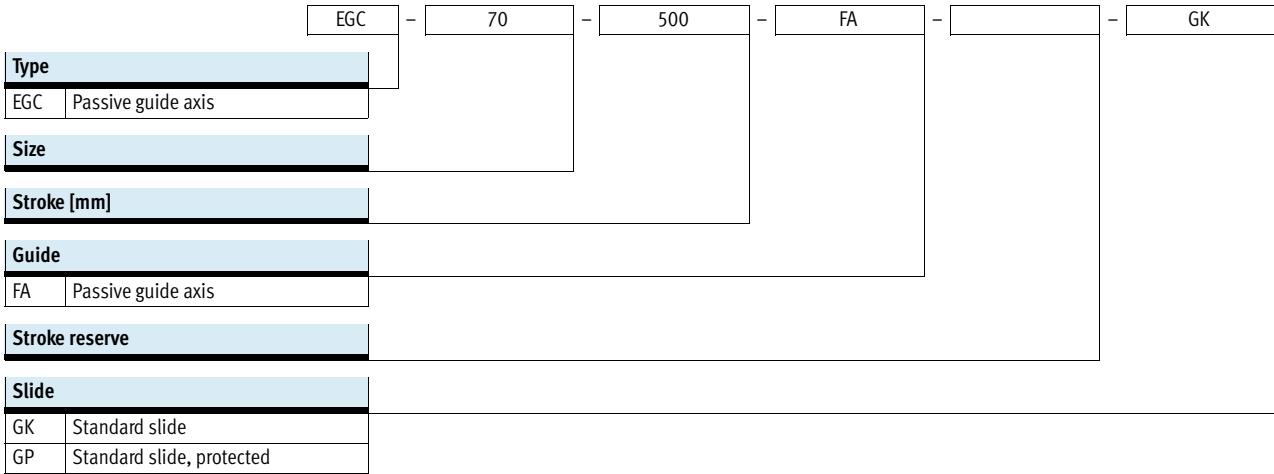
Passive guide axis FDG-ZR/-SP



- Can be combined with:
 - Toothed belt axis DGE-ZR-KF
 - Spindle axis DGE-SP-KF
- For size 18 ... 63
- Load capacity to max. 14050 N or 1820 Nm

Passive guide axes EGC-FA, without drive

Type codes



Passive guide axes EGC-FA, without drive

Type codes



[] - [] - [] - [] ZUB - F2MX2Z - DN

Additional slide

...K	1 to 2
------	--------

Lubrication function

-	Standard
C	Lubrication adapter

Clamping unit

1HL	1-channel, left
1HR	1-channel, right
2H	2-channel

Actuation type

PN	Pneumatically actuated
----	------------------------

Accessories enclosed separately

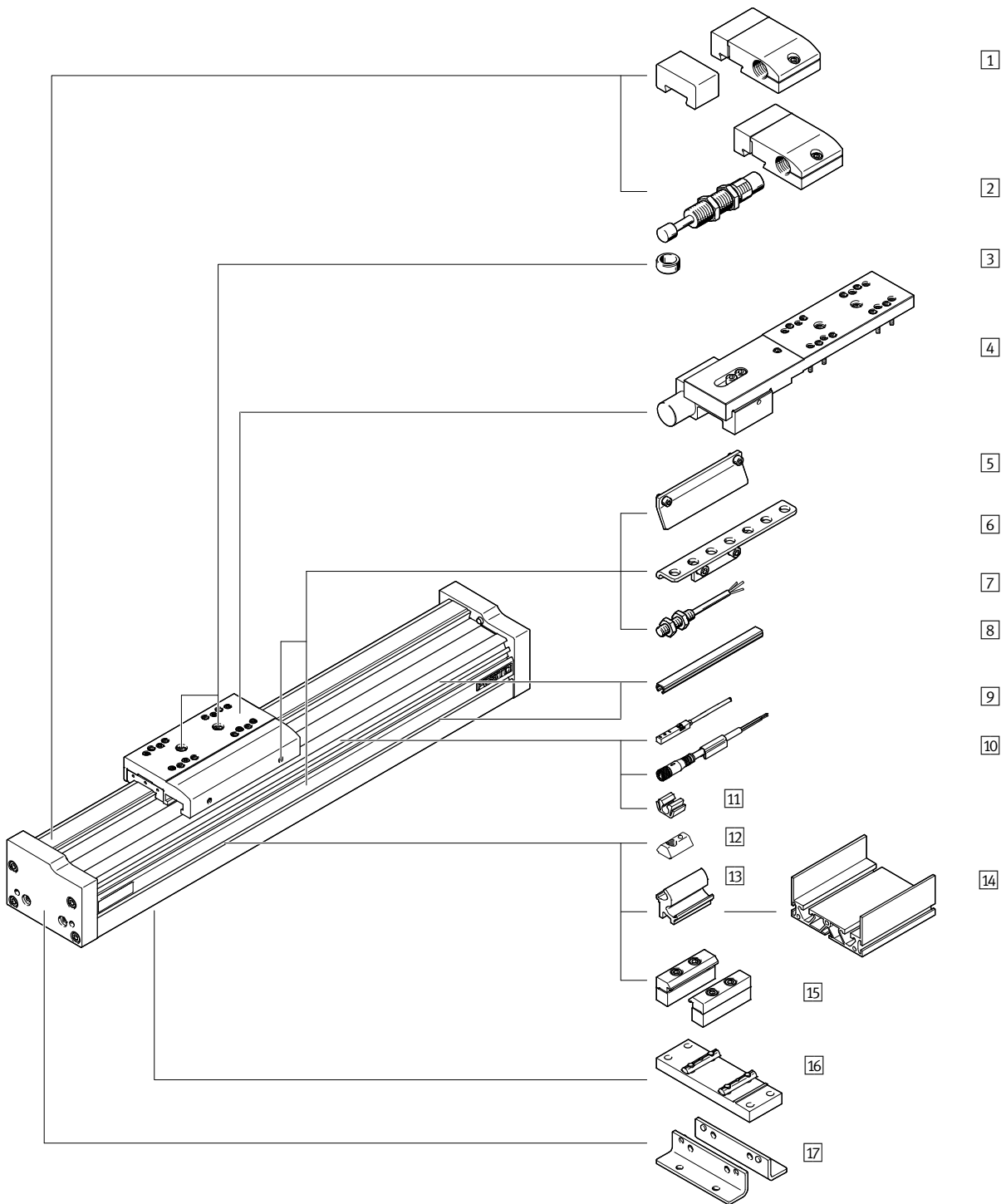
F	Foot mounting
...M	Profile mounting
...B	Mounting slot cover
...S	Sensor slot cover
...Y	Slot nut for mounting slot
...X	Proximity sensor (SIES), inductive, slot type 8, PNP, N/O contact, 7.5 m cable
...Z	Proximity sensor (SIES), inductive, slot type 8, PNP, N/C contact, 7.5 m cable
...A	Emergency buffer with retainer
...C	Shock absorber with retainer
...O	Proximity sensor (SIEN), inductive, M8, PNP, N/O contact, 2.5 m cable
...P	Proximity sensor (SIEN), inductive, M8, PNP, N/C contact, 2.5 m cable
...W	Proximity sensor (SIEN), inductive, M8, PNP, N/O contact, plug M8
...R	Proximity sensor (SIEN), inductive, M8, PNP, N/C contact, plug M8
...V	Connecting cable
...CL	Cable clip

Operating instructions

DN	None
----	------

Passive guide axes EGC-FA, without drive

Peripherals overview



Passive guide axes EGC-FA, without drive

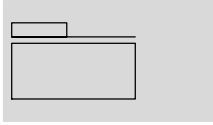
Peripherals overview




Variants and accessories			
	Type/Order code	Description	→ Page/Internet
1	Emergency buffer with retainer A	For avoiding damage at the end stop in the event of malfunction	31
2	Shock absorber with retainer C	For avoiding damage at the end stop in the event of malfunction	31
3	Centring pin/sleeve ZBS, ZBH	<ul style="list-style-type: none"> For centring loads and attachments on the slide 2 centring pins/sleeves included in the scope of delivery of the axis 	33
4	Clamping unit 1H...-PN, 2H-PN	For holding loads	9
5	Switch lug X, Z, O, P, W, R	For sensing the slide position	31
6	Sensor bracket O, P, W, R	Adapter for mounting the inductive proximity sensors (round design) on the axis	32
7	Proximity sensor, M8 O, P, W, R	<ul style="list-style-type: none"> Inductive proximity sensor, round design The order code O, P, W, R includes 1 switch lug and max. 2 sensor brackets in the scope of delivery 	35
8	Slot cover B, S	<ul style="list-style-type: none"> For protecting against the ingress of dirt 	33
9	Proximity sensor, slot type 8 X, Z	<ul style="list-style-type: none"> Inductive proximity sensor, for slot type 8 The order code X, Z includes 1 switch lug in the scope of delivery 	34
10	Plug socket with cable V	For proximity sensor (order code W and R)	35
11	Clip CL	For mounting the proximity sensor cable in the slot	33
12	Slot nut Y	For mounting attachments	33
13	Adapter kit DHAM	For mounting the support profile on the axis	34
14	Support profile HMIA	For mounting and guiding an energy chain	34
15	Profile mounting M	For mounting the axis at the side of the profile	29
16	Central support EAHF	For mounting the axis at the bottom of the profile	30
17	Foot mounting F	For mounting the axis on the end cap	28

Passive guide axes EGC-FA, without drive

Technical data

Function



-  - Size
70 ... 185
-  - Stroke length
50 ... 8500 mm
-  - www.festo.com



General technical data					
Size		70	80	120	185
Design		Passive axis			
Guide		Recirculating ball bearing guide			
Mounting position		Any			
Working stroke					
EGC-...-GK/-GP	[mm]	50 ... 5000	50 ... 8500	50 ... 8500	50 ... 8500
Max. speed	[m/s]	5			
Max. acceleration	[m/s ²]	50			

Operating and environmental conditions		
Ambient temperature	[°C]	-10 ... +60
Protection class		IP40

Weight [kg]					
Size		70	80	120	185
Basic weight with 0 mm stroke ¹⁾					
EGC-...-GK/-GP		1,200	2,000	7,300	20,800
Additional weight per 1,000 mm stroke		4,200	6,200	15,000	29,000
Moving load					
EGC-...-GK/-GP		0,300	0,550	2,000	6,000
Additional slide					
EGC-...-K		0,300	0,550	2,000	6,000
Clamping unit					
EGC-...-1H...-PN		-	0,700	2,300	4,900
EGC-...-2H-PN		-	1,300	4,000	8,300

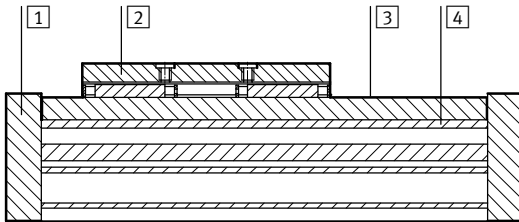
1) Incl. slide

Passive guide axes EGC-FA, without drive

Technical data

Materials

Sectional view



Axis	
1	End cap Anodised wrought aluminium alloy
2	Slide Anodised wrought aluminium alloy
3	Guide rail High-alloy steel
4	Profile Anodised wrought aluminium alloy
Note on materials RoHS-compliant Contains PWIS (paint-wetting impairment substances)	

Technical data – Clamping unit		Dimensions → 20		
Size		80	120	185
Pneumatic connection		M5	M5	M5
Clamping type		Clamping via spring force, released via compressed air		
Static holding force				
EGC-...-1H...-PN	[N]	320	1200	1500
EGC-...-2H-PN	[N]	640	2400	3000
Max. number of emergency braking operations ¹⁾ at reference energy	[[J]]	–	750 35	750 70
Number of clamping operations under nominal load	[million switching cycles]	0.45	0.05	> 1.4

1) Emergency braking refers to braking the effective load if the drive axis loses power.

Operating and environmental conditions – Clamping unit	
Operating medium	Compressed air according to ISO 8573-1:2010 [7:4:4]
Operating pressure	
Clamping unit opened	[bar] 4.5 ... 8
Clamping unit closed	[bar] Pressureless
Ambient temperature	[°C] –10 ... +60

Passive guide axes EGC-FA, without drive

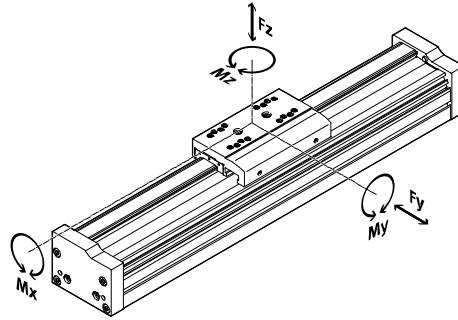
Technical data



Characteristic load values

The indicated forces and torques refer to the slide surface. The point of application of force is the point where the centre of the guide and the longitudinal centre of the slide intersect.

These values must not be exceeded during dynamic operation. Special attention must be paid to the cushioning phase.



If the axis is subjected to more than two of the indicated forces and torques simultaneously, the following equation must be satisfied in addition to the indicated maximum loads:

Calculating the load comparison factor:

$$f_v = \frac{|F_{y,dyn}|}{F_{y,max}} + \frac{|F_{z,dyn}|}{F_{z,max}} + \frac{|M_{x,dyn}|}{M_{x,max}} + \frac{|M_{y,dyn}|}{M_{y,max}} + \frac{|M_{z,dyn}|}{M_{z,max}}$$

Permissible forces and torques			70	80	120	185
F _{y,max.}	[N]		1850	3050	6890	15200
F _{z,max.}	[N]		1850	3050	6890	15200
M _{x,max.}	[Nm]		16	36	144	529
M _{y,max.}	GK/GP [Nm]		51	97	380	1157
M _{z,max.}	GK/GP [Nm]		51	97	380	1157

Service life

The service life of the guide depends on the load. To provide a rough indication of the service life of the guide, the

graph below plots the load comparison factor f_v against the service life.

These values are only theoretical. You must consult your local contact person

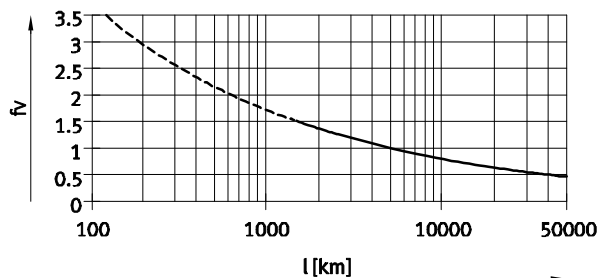
at Festo for load comparison factors f_v greater than 1.5.

Load comparison factor f_v as a function of service life

Example:

A user wants to move an X kg load. Using the above formula gives a value of 1.5 for the load comparison factor. According to the graph, the guide has a service life of approx.

1500 km. Reducing the acceleration reduces the M_z and M_y values. A load comparison factor of 1 now gives a service life of 5000 km.



- - Note

PositioningDrives sizing software www.festo.com

The guide workload for a service life of 5000 km can be calculated with the help of the sizing software.

$f_v > 1.5$ are only theoretical comparison values for the recirculating ball bearing guide.

Passive guide axes EGC-FA, without drive

Technical data

Stroke reserve			
Stroke length	Stroke reserve		
The selected stroke corresponds in principle to the required working stroke. The variant GK does not have a wiper seal on the guide. This variant therefore additionally has a safety distance between the drive cap and slide that is not designated as part of the working stroke.	A safety distance (similar to GK) between the drive cap and slide can be defined for the variants GP and GK-C using the modular product system via the "stroke reserve" feature. With the variant GK, the stroke reserve and safety distance are added for each end position.	<ul style="list-style-type: none"> The stroke reserve length can be freely selected The sum of the stroke length and 2x stroke reserve must not exceed the maximum working stroke 	Example: EGC-70-500-FA-20H-... Working stroke = 500 mm 2x stroke reserve = 40 mm Total length = 540 mm (540 mm = 500 mm + 2x 20 mm)

Size	70	80	120	185
L9 = safety distance with GK [mm] (per end position)	10.5	13	18	21

Working stroke reduction

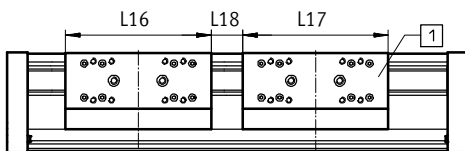
With standard slide GK/GP with additional slide K

- With a guide axis with additional slide, the working stroke is reduced by the length of the additional slide and the distance between both slides
- With the variant GP, the additional slide is also protected
- If the variant GK-C is ordered, the additional slide is also supplied with lubrication adapters

L16 = Slide length
 L17 = Additional slide length

L18 = Distance between both slides
 1 Additional slide

Example:
 Type EGC-70-500-FA-...-GK-1K
 Working stroke without additional slide = 500 mm
 L18 = 20 mm
 L16, L17 = 100 mm
 Working stroke with additional slide = 380 mm
 (500 mm - 20 mm - 100 mm)



Dimensions – Additional slide									
Size	70		80		120		185		
	GK	GP	GK	GP or GK-C	GK	GP or GK-C	GK	GK-C	
Length L17 [mm]	100	121	120	146	203.3	236	282.8	322	
Min. distance between the slides L18 [mm]	-	21	-	26	-	36	-	42	

Passive guide axes EGC-FA, without drive

Technical data

Working stroke reduction per side

With integrated emergency buffer NPE/shock absorber YSRW with shock absorber retainer KYE

- The working stroke is reduced by the total dimension of the emergency buffer/shock absorber and shock absorber retainer.
- The rubber buffer in the cap must be removed.
- Shock absorbers must not be used in combination with GK-C.

Size	70	80	120	185
With emergency buffer [mm]	43	68	98	133
With shock absorber [mm]	42	63	84	107

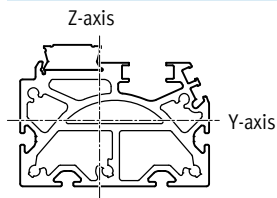
Working stroke reduction

With integrated clamping unit

- The working stroke is reduced by the length of the clamping unit.
- With 1-channel clamping units, the stroke is reduced on one side with respect to the mounting surface.
- With 2-channel clamping units, the stroke is reduced symmetrically with respect to the mounting surface of the load.
- Shock absorbers must not be used in combination with the clamping unit.

Size	80	120	185
EGC-...-1H...-PN [mm]	87	124	131
EGC-...-2H-PN [mm]	174	248	262

2nd moment of area



Size	70	80	120	185
I_y [mm ⁴]	3.95×10^5	8.44×10^5	4.62×10^6	2.34×10^7
I_z [mm ⁴]	5.77×10^5	1.16×10^6	5.65×10^6	2.74×10^7

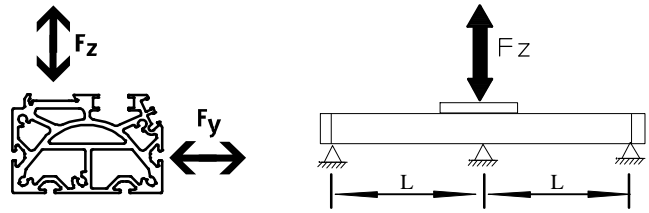
Passive guide axes EGC-FA, without drive

Technical data

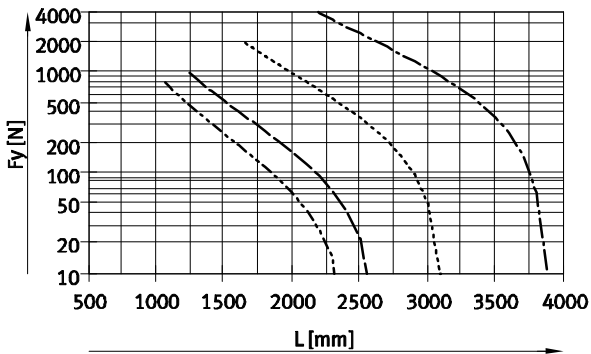
Maximum permissible support span L (without profile mounting MUE/central support EAHF) as a function of force F

In order to limit deflection in the case of large strokes, the axis may need to be supported.

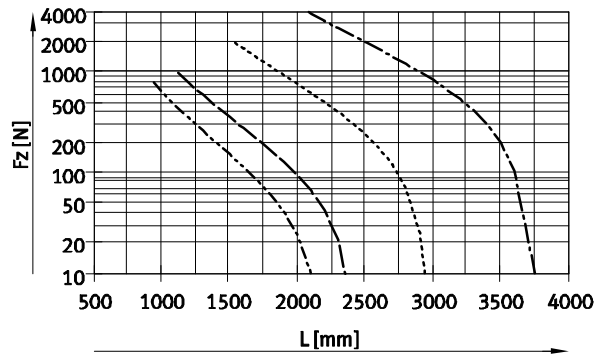
The following graphs can be used to determine the maximum permissible support span l as a function of force F acting on the axis. The deflection is $f = 0.5$ mm.



Force Fy



Force Fz



- EGC-70
- EGC-80
- EGC-120
- · - · - EGC-185

Recommended deflection limits

Adherence to the following deflection limits is recommended so as not to impair the functional performance of the

axes. Greater deformation can result in increased friction, greater wear and reduced service life.

Size	Dyn. deflection (load moving)	Stat. deflection (load stationary)
70 ... 185	0.05% of the axis length, max. 0.5 mm	0.1% of the axis length

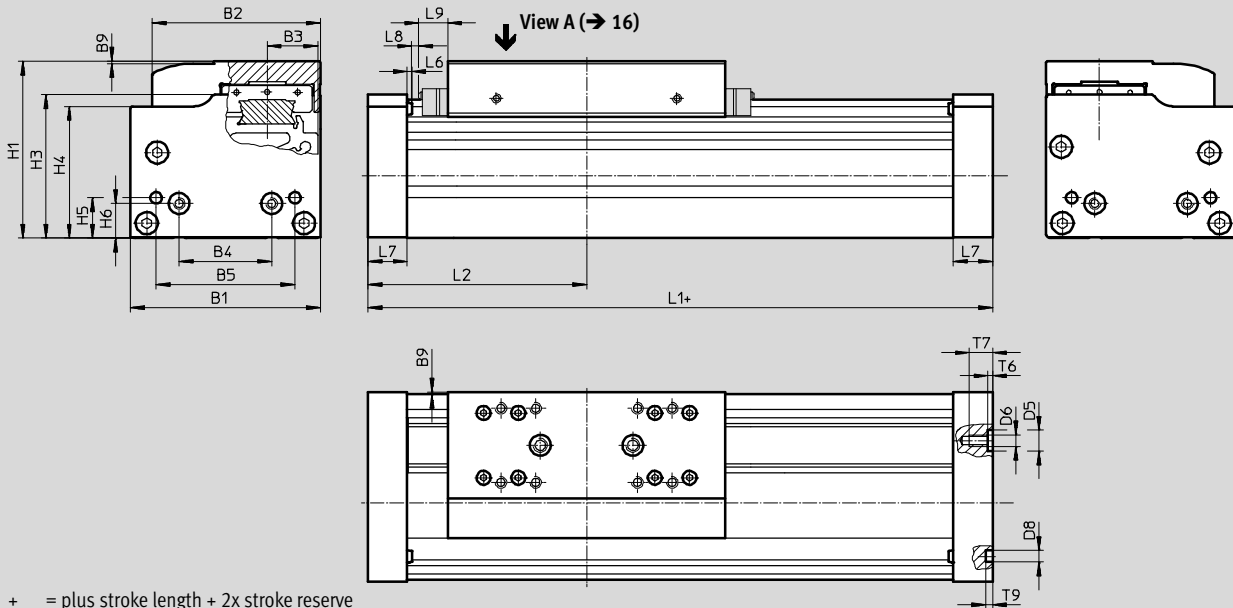
Passive guide axes EGC-FA, without drive

Technical data

FESTO

Dimensions

Download CAD data → www.festo.com



- + = plus stroke length + 2x stroke reserve
- L9 With GK: safety distance per end position
- With GP: dimension for wiper seal → 11
- With GK-C/GV-C: dimension for adapter → 18

Size	B1	B2	B3	B4	B5	B9	D5 ∅ H7
70	69	58.6	16.5	30	45	1	–
80	82	72.6	22	40	60	1	9
120	120	107	33	80	40	1	–
185	186	169	53	120	80	1	–

Size	D6	D8 ∅ H7	H1	H3	H4	H5	H6	L1
70	M5	5	64	50.5	47	13	13	163
80	M5	5	76.5	62	57	17.5	15	190
120	M8	9	111.5	89	82	22	22	306
185	M10	9	172.5	141	131.5	25	25	406

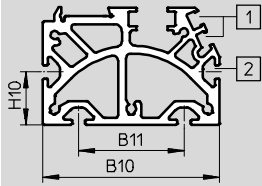
Size	L2	L6	L7	L8	L9	T6	T7	T9
70	81.5	1.8	16	3	10.5	–	10	3.1
80	95	2	17	3	13	2.1	10.1	3.1
120	153	2	30	3	18	–	16	2.1
185	203	2	37	3	21	–	20	2.1

Passive guide axes EGC-FA, without drive

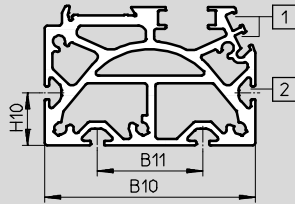
Technical data

Profile

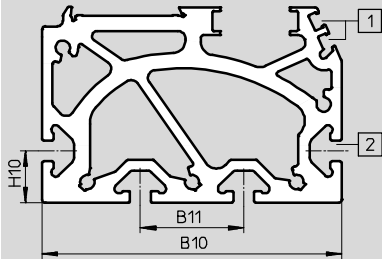
Size 70



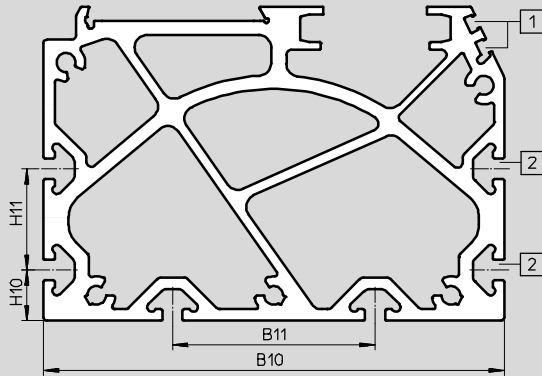
Size 80



Size 120



Size 185



- 1 Sensor slot for proximity sensor
- 2 Mounting slot for slot nut

Size	B10	B11	H10	H11
70	67	40	20	-
80	80	40	20	-
120	116	40	20	-
185	182	80	20	40

Note

Flatness of the bearing surface and the attachments. The use in parallel constructions. → www.festo.com

Passive guide axes EGC-FA, without drive

Technical data

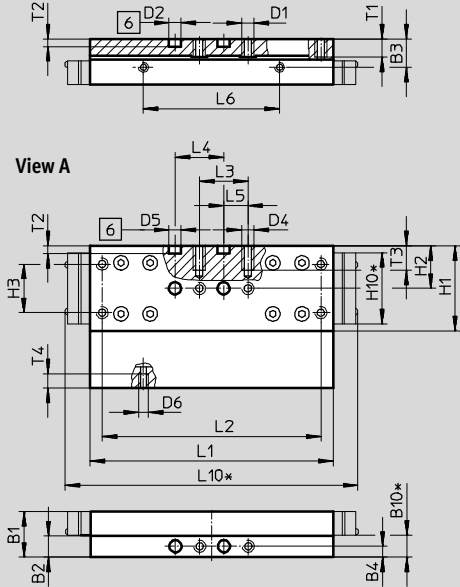
FESTO

Dimensions

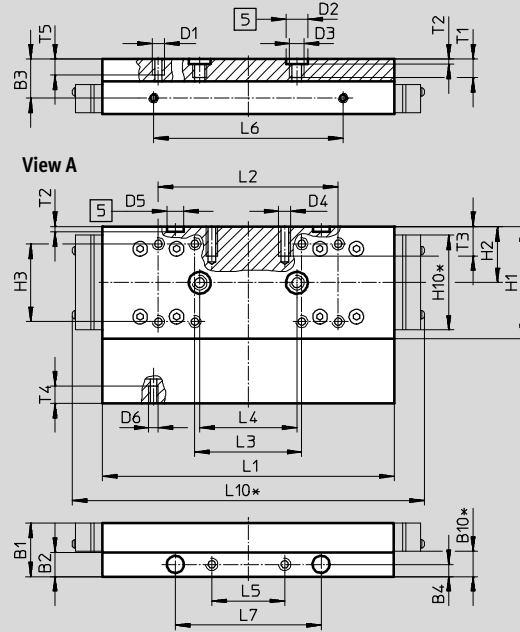
Download CAD data → www.festo.com

GK – Standard slide/GP – Standard slide, protected

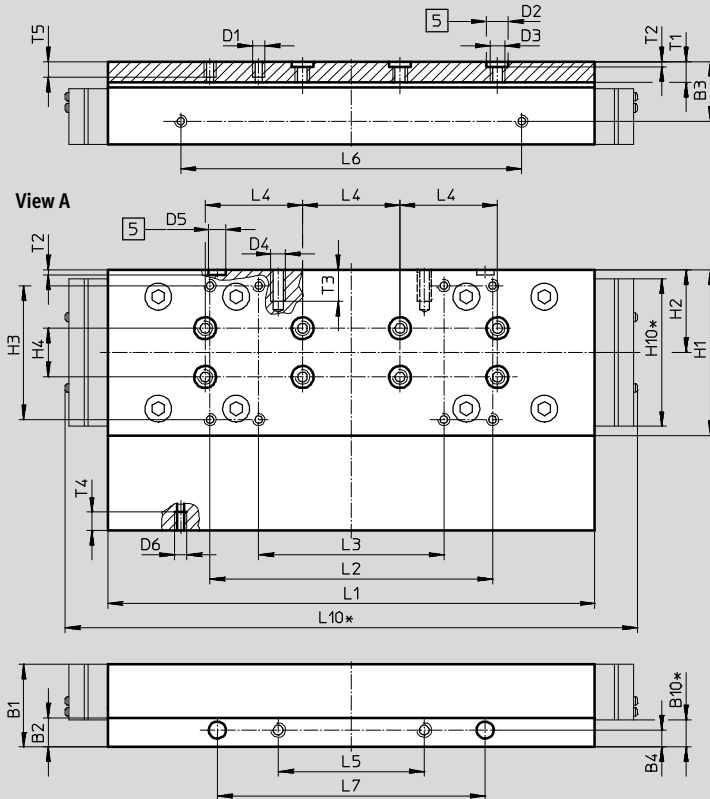
Size 70



Size 80



Size 120



- 5 Hole for centring sleeve
- 6 Hole for centring pin
- * Protected version

Passive guide axes EGC-FA, without drive

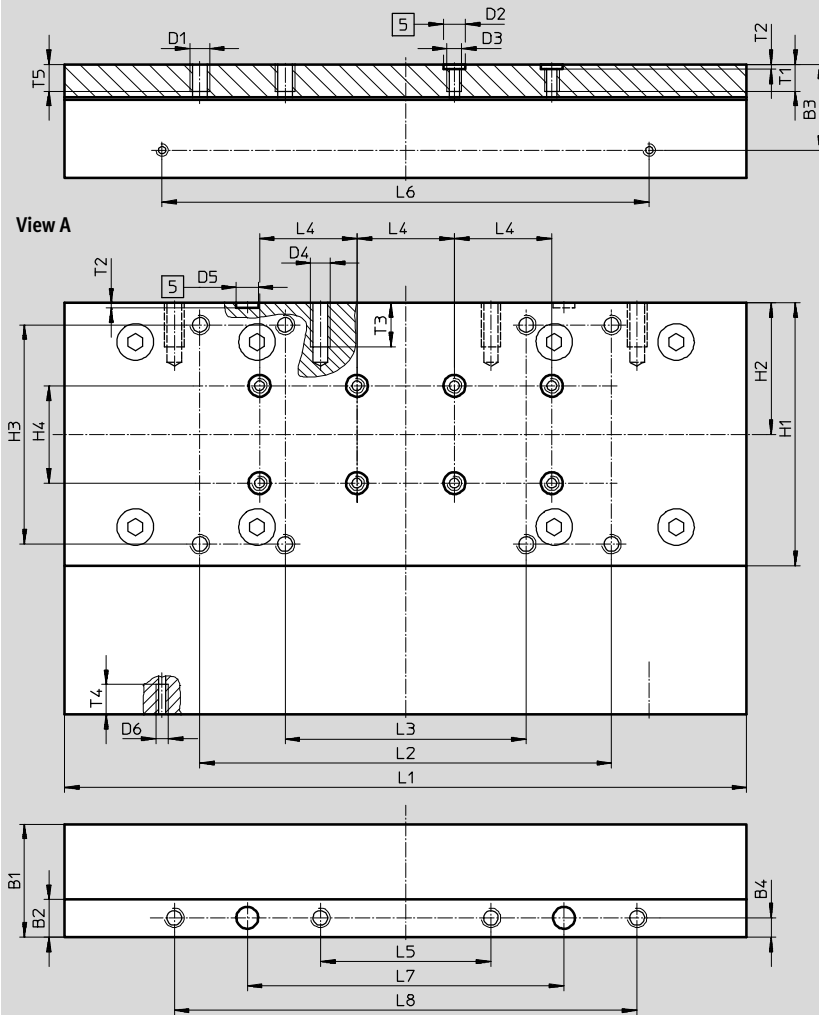
Technical data

Dimensions

Download CAD data → www.festo.com

GK – Standard slide

Size 185



5 Hole for centring sleeve

Size	B1	B2	B3	B4	B10*	D1	D2 ∅ H7	D3	D4	D5 ∅ H7	D6	H1	H2	H3	H4
70	18.7	8.7	11.7	4.5	9	M5	5	–	M5	5	M4	35	17.5	20 ±0.1	–
80	22	10	16	5	10.4	M5	9	M6	M5	7	M4	46	23	32 ±0.2	–
120	34	12	24.5	7	11.2	M5	9	M6	M6	7	M5	68	34	55 ±0.2	20
185	46.5	15.5	35.2	8	–	M8	9	M6	M8	9	M5	108	54	90 ±0.2	40

Size	H10*	L1	L2	L3	L4	L5	L6	L7	L8	L10*	T1	T2	T3	T4	T5
70	29.4	100	90 ±0.1	20 ±0.1	20	10 ±0.1	56	–	–	121	7.5	3.1	10	6	–
80	39	120	74 ±0.2	44 ±0.2	40	30 ±0.1	78	60	–	145	8.6	2.1	12	7	7.5
120	60.6	203.3	116 ±0.2	76 ±0.2	40	60 ±0.1	140	110	–	235	8.6	2.1	13	7.5	7.5
185	–	282.8	169 ±0.2	99 ±0.2	40	70 ±0.2	200	130	190	–	11	2.1	18	12.3	12

* Protected version

Passive guide axes EGC-FA, without drive

Technical data

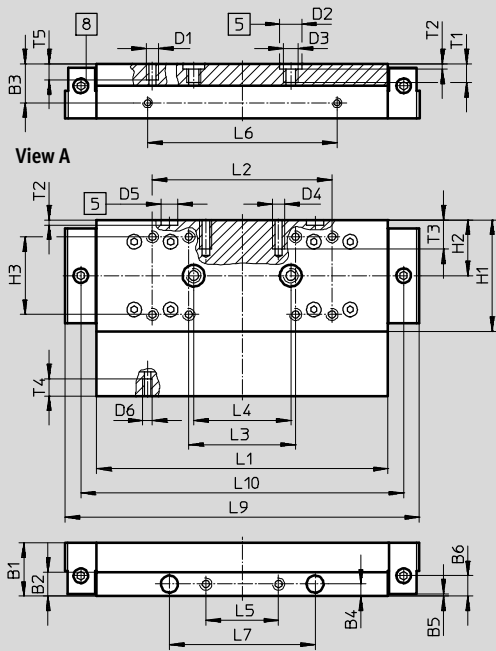
FESTO

Dimensions

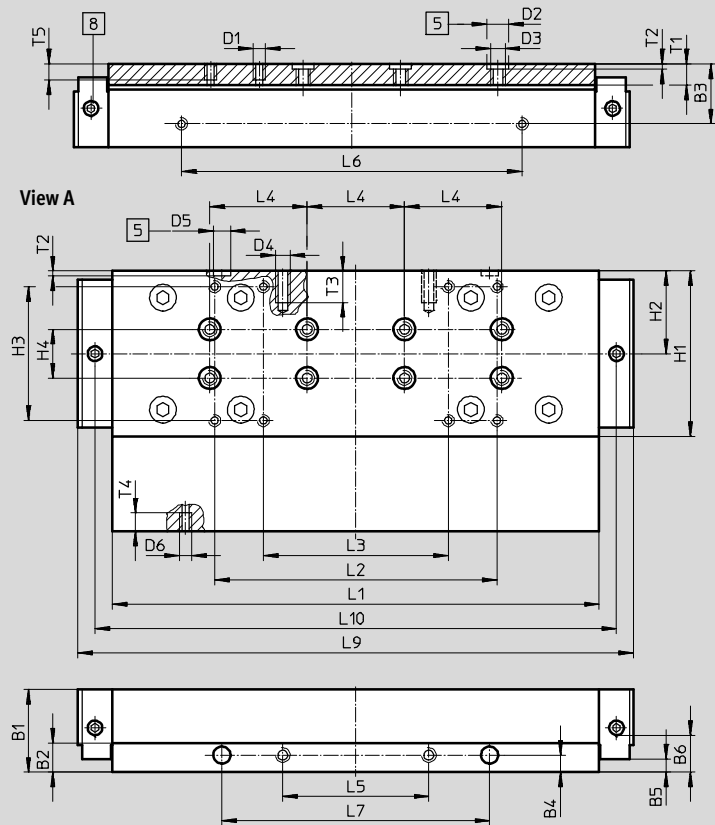
Download CAD data → www.festo.com

GK-C – Standard slide with lubrication adapter

Size 80



Size 120



- 5 Hole for centring sleeve
- 8 Lubricating hole for lubrication adapter, M6 threaded connection, 6 mm deep

Size	B1	B2	B3	B4	B5	B6	D1	D2 ∅	D3	D4
					±0.1			H7		
80	22	10	16	5	1	8.5	M5	9	M6	M5
120	34	12	24.5	7	5.5	18.2	M5	9	M6	M6

Size	D5 ∅	D6	H1	H2	H3	H4	L1	L2	L3	L4
	H7				±0.2	±0.03	±0.1	±0.2	±0.2	±0.03
80	7	M4	46	23	32	–	120	74	44	40
120	7	M5	68	34	55	20	203.3	116	76	40

Size	L5	L6	L7	L9	L10	T1	T2	T3	T4	T5
	±0.1	±0.1	±0.05				+0.1			
80	30	78	60	146	133	8.6	2.1	12	7	7.5
120	60	140	110	226.9	214.3	8.6	2.1	13	7.5	7.5

Passive guide axes EGC-FA, without drive

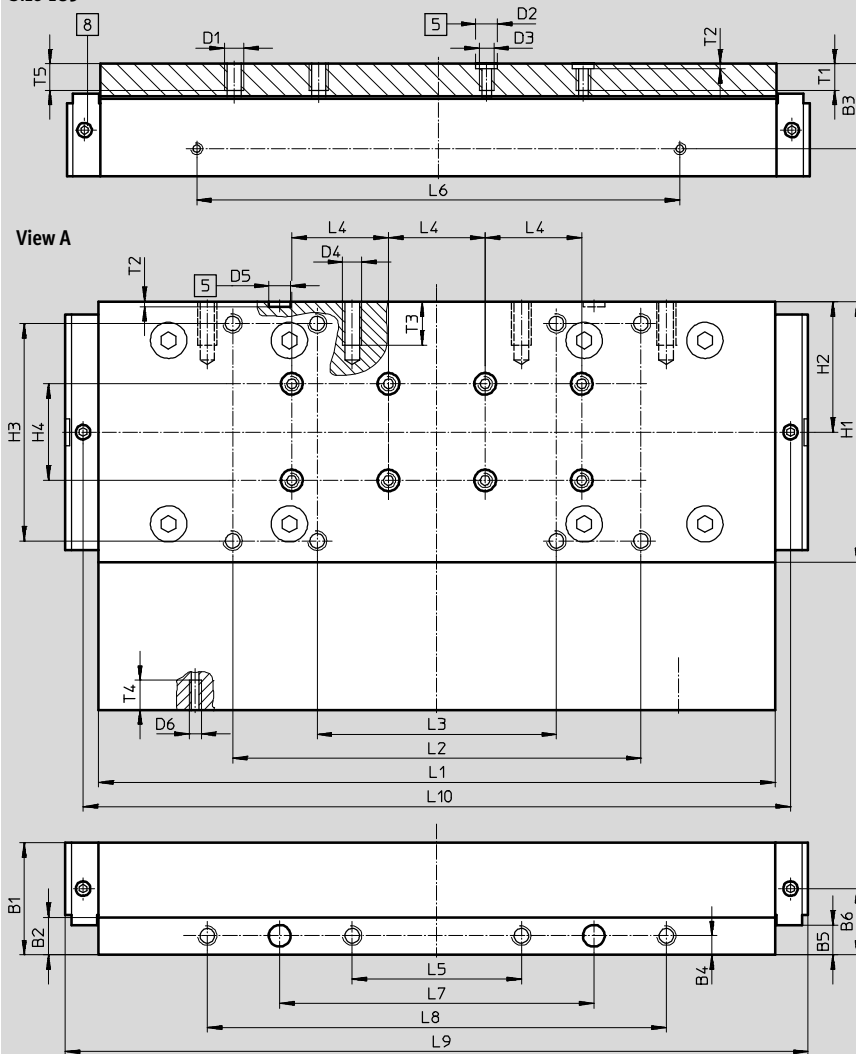
Technical data

Dimensions

Download CAD data → www.festo.com

GK-C – Standard slide with lubrication adapter

Size 185



- 5 Hole for centring sleeve
- 8 Lubricating hole for lubrication adapter, M6 threaded connection, 6 mm deep

Size	B1	B2	B3	B4	B5	B6	D1	D2 ∅	D3	D4
185	46.5	15.5	35.2	8	±0.1 12.5	27.5	M8	H7 9	M6	M8

Size	D5 ∅	D6	H1	H2	H3	H4	L1	L2	L3	L4
185	H7 9	M5	108	54	±0.2 90	±0.03 40	±0.1 282.8	±0.2 169	±0.2 99	±0.03 40

Size	L5	L6	L7	L8	L9	L10	T1	T2	T3	T4	T5
185	±0.2 70	±0.1 200	±0.05 130	±0.2 190	307.4	292.8	11	+0.1 2.1	18	12.3	12

Passive guide axes EGC-FA, without drive

Technical data

FESTO

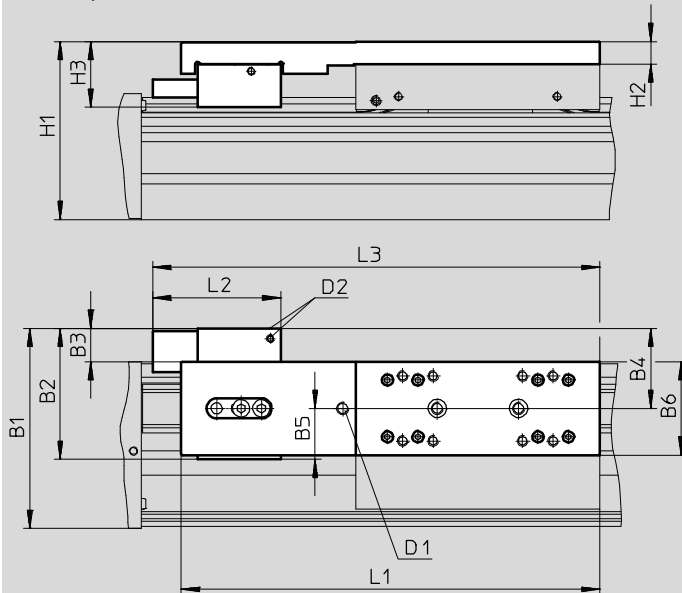
Dimensions

Download CAD data → www.festo.com

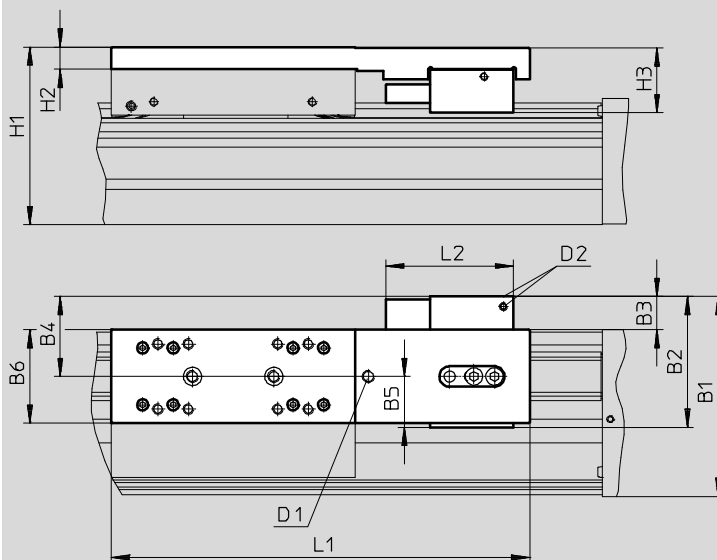
1HL/1HR/2H – With clamping unit

Size 80

1-channel, left



1-channel, right



D2 Supply port

Passive guide axes EGC-FA, without drive

Technical data

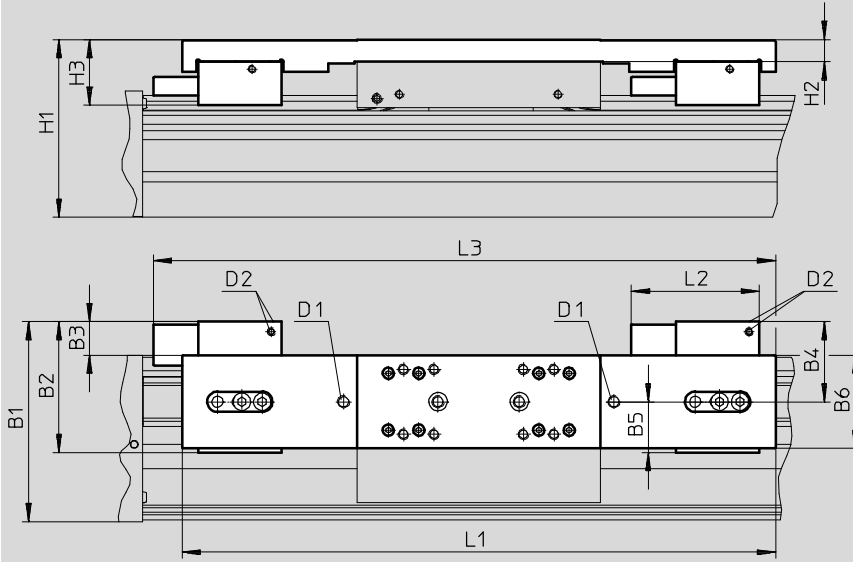
Dimensions

Download CAD data → www.festo.com

1HL/1HR/2H – With clamping unit

Size 80

2-channel



Type	B1	B2	B3	B4	B5	B6	H1	H2	H3	D1	D2	L1	L2	L3
EGC-80-...-1HL-PN	98.4	64.4	17.4	39.4	25	46	87.5	11	32.4	M6	M5	206	63	220
EGC-80-...-1HR-PN														-
EGC-80-...-C-1HL-PN														220
EGC-80-...-C-1HR-PN														-
EGC-80-...-2H-PN												292	306	
EGC-80-...-C-2H-PN														

Passive guide axes EGC-FA, without drive

Technical data

FESTO

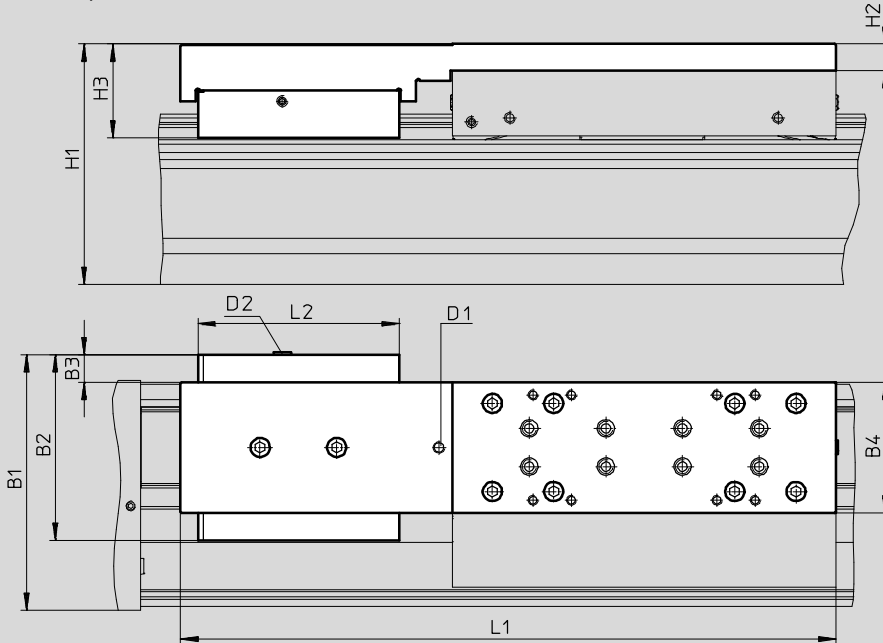
Dimensions

Download CAD data → www.festo.com

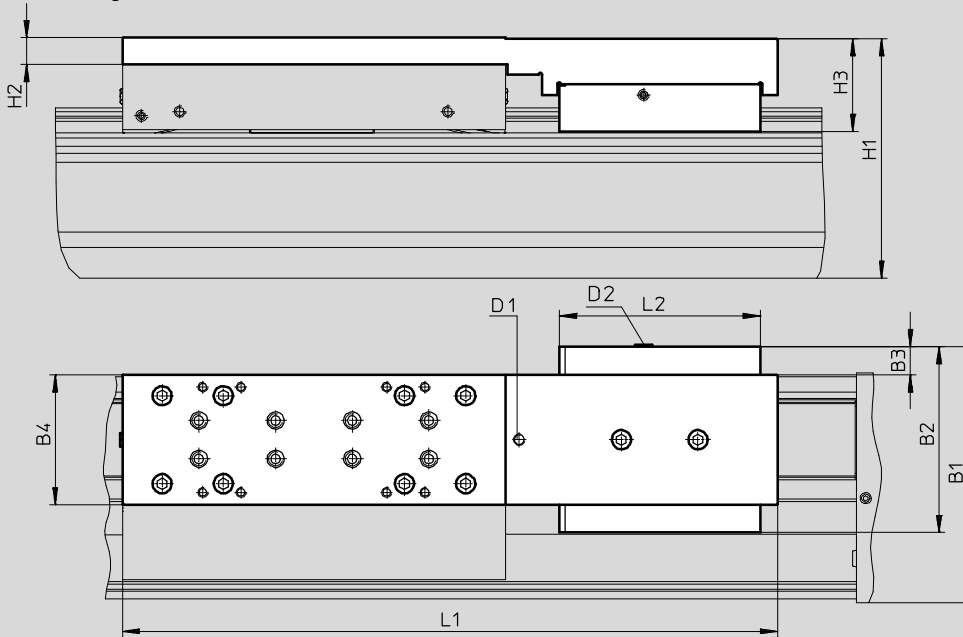
1HL/1HR/2H – With clamping unit

Size 120/185

1-channel, left



1-channel, right



D2 Supply port

Passive guide axes EGC-FA, without drive

Technical data

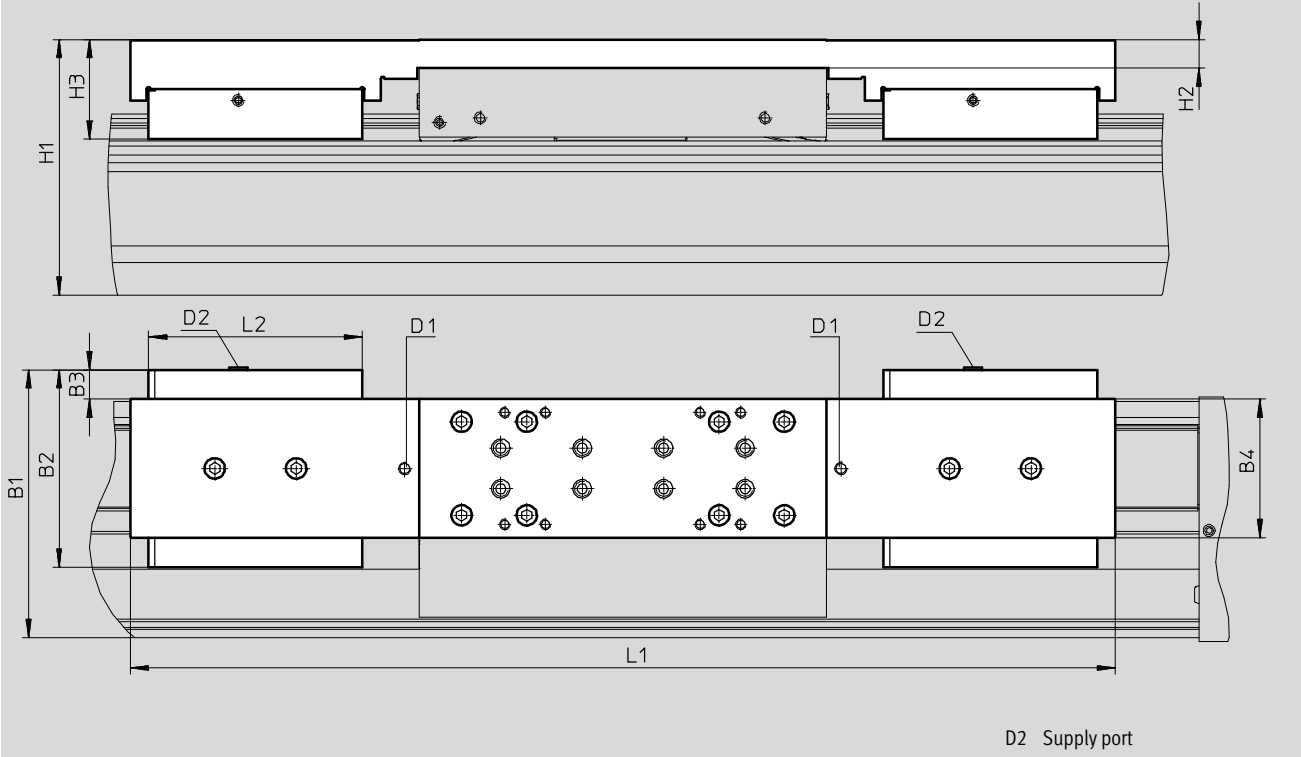
Dimensions

Download CAD data → www.festo.com

1HL/1HR/2H – With clamping unit

Size 120/185

2-channel



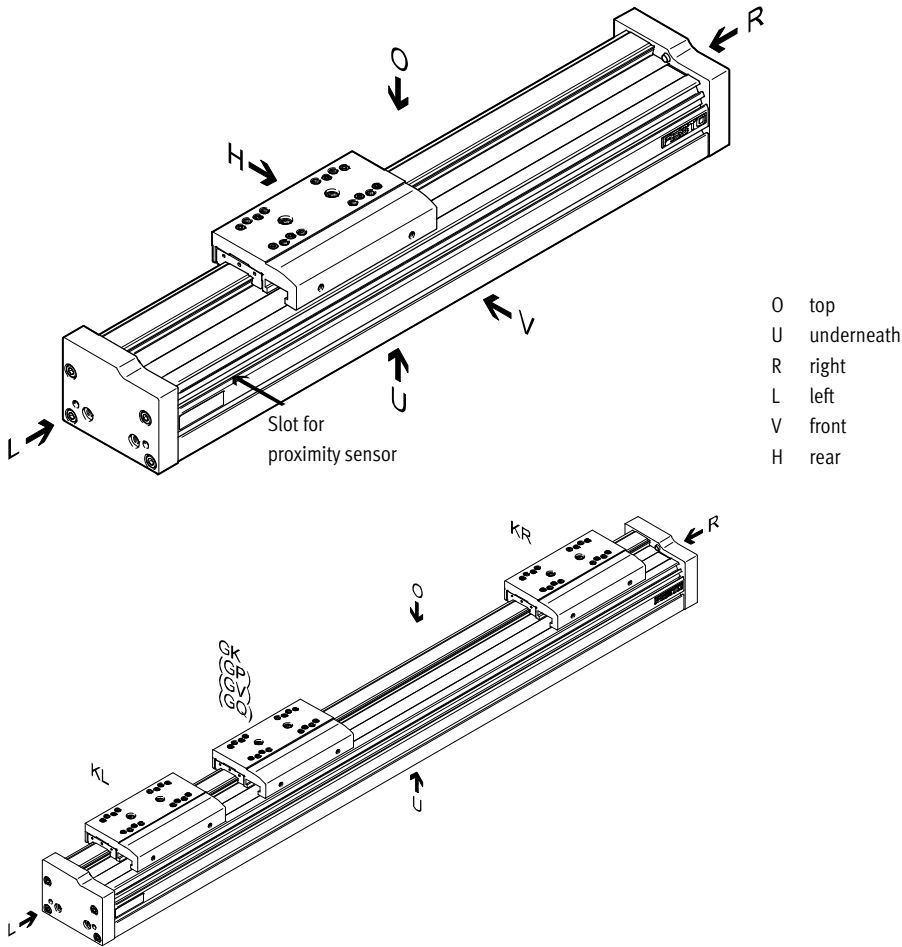
Type	B1	B2	B3	B4	H1	H2	H3	D1	D2	L1	L2
Size 120											
EGC-120-...-1HL-PN	133.5	97	15.5	68	125.5	14	48.9	M6	M5	342	105
EGC-120-...-1HR-PN											
EGC-120-...-C-1HL-PN											
EGC-120-...-C-1HR-PN											
EGC-120-...-2H-PN											
EGC-120-...-C-2H-PN										484	
Size 185											
EGC-185-...-1HL-PN	196.5	131	12.5	108	189.5	17	64.1	M6	M5	432	109
EGC-185-...-1HR-PN											
EGC-185-...-C-1HL-PN											
EGC-185-...-C-1HR-PN											
EGC-185-...-2H-PN											
EGC-185-...-C-2H-PN										584	

Passive guide axes EGC-FA, without drive

Ordering data – Modular products

Order code

Mandatory data

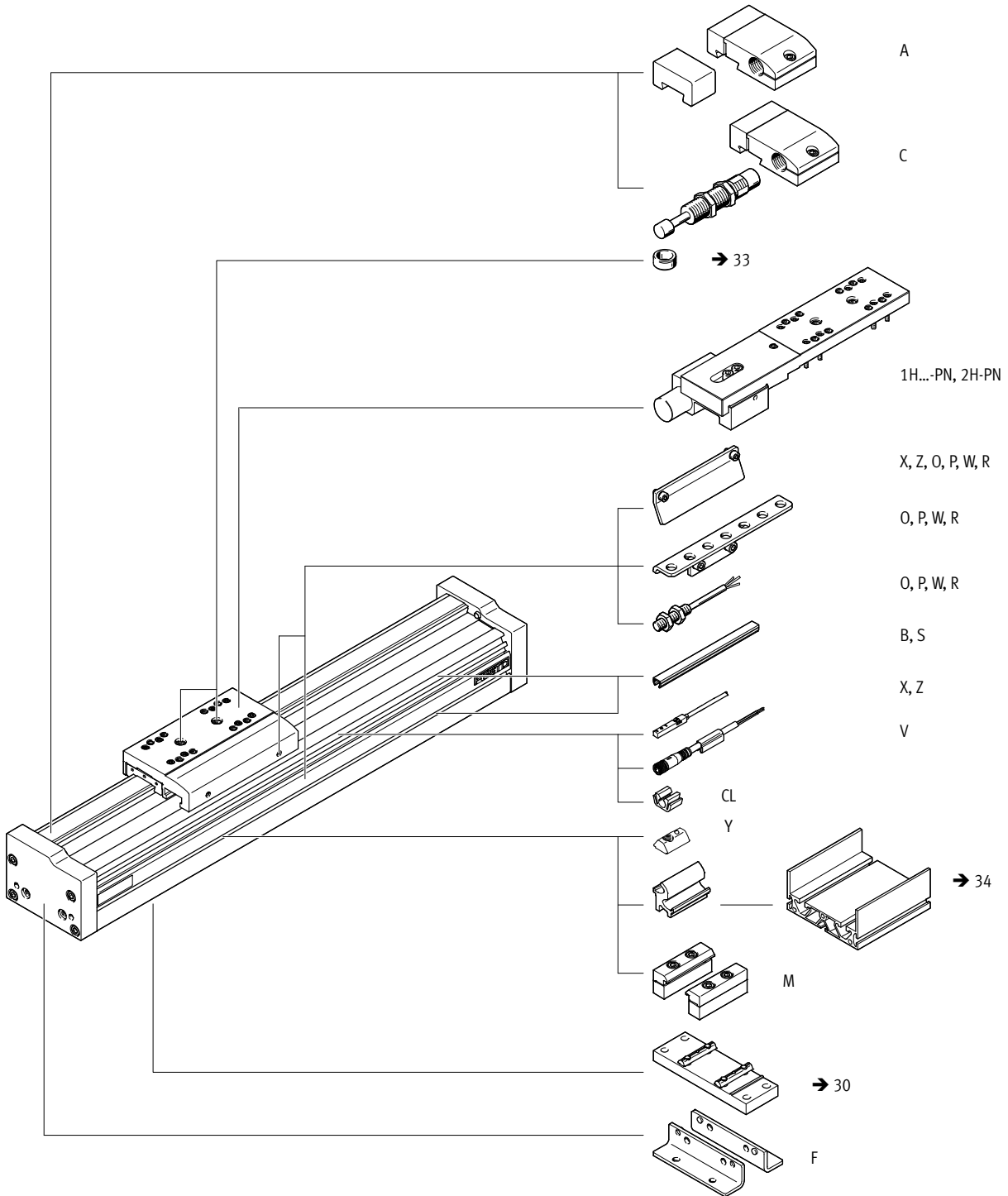


Passive guide axes EGC-FA, without drive

Ordering data – Modular products

Order code

Accessories



Passive guide axes EGC-FA, without drive

Ordering data – Modular products



Ordering table							
Size	70	80	120	185	Condi- tions	Code	Enter code
M Module No.	558864	558865	558866	558868			
Design	Passive guide axis					EGC	EGC
Size	70	80	120	185		-...	-...
Stroke [mm]	50 ... 5000	50 ... 8500	50 ... 8500	50 ... 8500	1	-...	-...
Guide	Passive guide axis					-FA	-FA
Stroke reserve [mm]	0 ... 999 (0 = no stroke reserve)				1	-...H	
Slide	Standard slide					-GK	
	Standard slide, protected				-	-GP	
O Additional slide	1 ... 2				2	-...K	
Lubrication function	Standard						
	-	Lubrication adapter				-C	
Clamping unit	-	1-channel, left			3	-1HL	
	-	1-channel, right			3	-1HR	
	-	2-channel			3	-2H	
Actuation type	-	Pneumatic				-PN	

- 1** -... The sum of the stroke length and 2x stroke reserve must not exceed the maximum stroke length
- 2** ... **K** If the protected slide variant (GP) is selected, then the additional slide is also protected
If the slide with lubrication adapter (GK-C) is selected, the additional slide (KL, KR) is also supplied with lubrication adapter
Working stroke reduction in combination with additional slide (K) → 11
- 3** **1HL, 1HR, 2H** Not with additional slide K
Only with PN
Working stroke reduction in combination with clamping unit (1HL, 1HR, 2H) → 12

- M** Mandatory data
- O** Options

Order code


EGC - - - **FA** - - - - - - - -

Passive guide axes EGC-FA, without drive

Ordering data – Modular products

Ordering table							
Size	70	80	120	185	Condi- tions	Code	Enter code
↓ Accessories	Accessories enclosed separately					ZUB-	ZUB-
⓪ Foot mounting	1					F	
Profile mounting	1 ... 50					...M	
Cover	Mounting slot	1 ... 50 (1 = 2 units, 500 mm)				...B	
	Sensor slot	1 ... 50 (1 = 2 units, 500 mm)				...S	
Slot nut for mounting slot	1 ... 99					...Y	
Proximity sensor (SIES), inductive, slot type 8, PNP, incl. switch lug	N/O contact, 7.5 m cable	1 ... 6				...X	
	N/C contact, 7.5 m cable	1 ... 6				...Z	
Emergency buffer with retainer	1 ... 2				4	...A	
Shock absorber with retainer	1 ... 2				5	...C	
Proximity sensor (SIEN), inductive, M8, PNP, incl. switch lug with sensor bracket	N/O contact, 2.5 m cable	1 ... 99				...O	
	N/C contact, 2.5 m cable	1 ... 99				...P	
Plug socket with cable 2.5 m, M8, 3-wire	N/O contact, plug M8	1 ... 99				...W	
	N/C contact, plug M8	1 ... 99				...R	
Cable clip	10, 20, 30, 40, 50, 60, 70, 80, 90					...CL	
Operating instructions	Express waiver - no operating instructions to be included (already available) (operating instructions in pdf format are available free of charge on the Internet at www.festo.com)					-DN	

- 4 ...A Emergency buffer with retainer A cannot be combined with slide GP, GK-C, shock absorber with retainer C and clamping unit 1H...-PN, 2H-PN
- 5 ...C Shock absorber with retainer C cannot be combined with slide GP, GK-C, emergency buffer with retainer A and clamping unit 1H...-PN, 2H-PN

 Note

The code X, Z includes a switch lug in the scope of delivery.
The code O, P, W, R includes one switch lug and max. two sensor brackets in the scope of delivery.

- M Mandatory data
- ⓪ Options

Transfer order code

ZUB - -

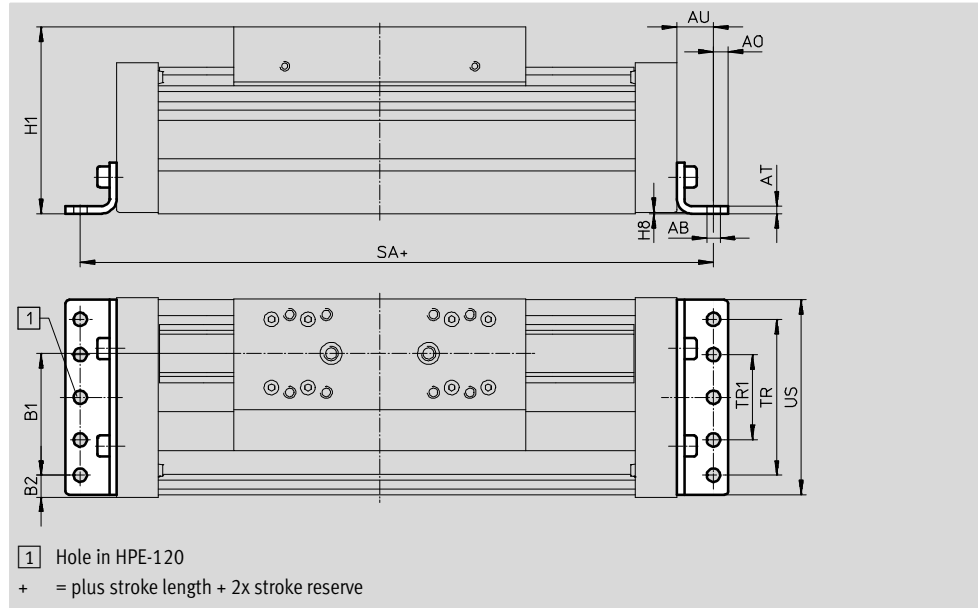
Passive guide axes EGC-FA, without drive

Accessories



Foot mounting HPE
(order code F)

Material:
Galvanised steel
RoHS-compliant



Dimensions and ordering data								
For size	AB ∅	A0	AT	AU	B1	B2	H1	H8
70	5.5	6	3	13	37	14.5	64	0.5
80	5.5	6	3	15	38	21	76.5	0.5
120	9	8	6	22	65	20	111.5	0.6
185	9	12	8	25	118	13	172.5	0.5

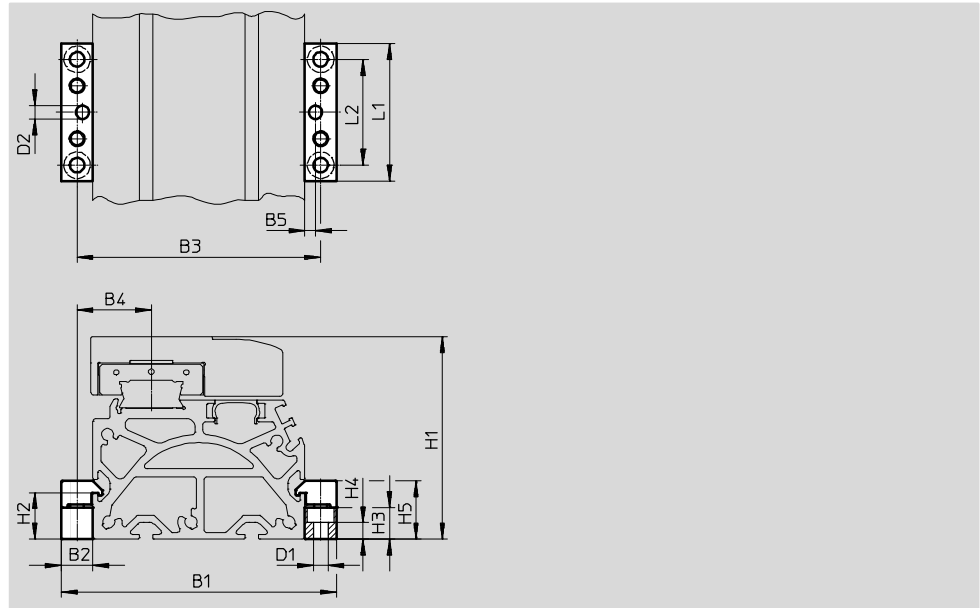
For size	SA	TR	TR1	US	Weight [g]	Part No.	Type
70	189	40	-	67	115	558321	HPE-70
80	220	40	-	80	150	558322	HPE-80
120	350	80	-	116	578	558323	HPE-120
185	456	160	80	182	1438	558325	HPE-185

Passive guide axes EGC-FA, without drive

Accessories

Profile mounting MUE
(order code M)

Material:
Anodised aluminium
RoHS-compliant



Dimensions and ordering data									
For size	B1	B2	B3	B4	B5	D1 Ø	D2 Ø H7	H1	H2
70	91	12	79	22.5	4	5.5	5	64	17.5
80	104	12	92	28	4	5.5	5	76.5	17.5
120	154	19	135	42.5	4	9	5	111.5	16
185	220	19	201	62.5	4	9	5	172.5	16

For size	H3	H4	H5	L1	L2	Weight [g]	Part No.	Type
70	12	6.2	22	52	40	80	558043	MUE-70/80
80	12	6.2	22	52	40	80	558043	MUE-70/80
120	14	5.5	29.5	90	40	290	558044	MUE-120/185
185	14	5.5	29.5	90	40	290	558044	MUE-120/185

Passive guide axes EGC-FA, without drive

Accessories

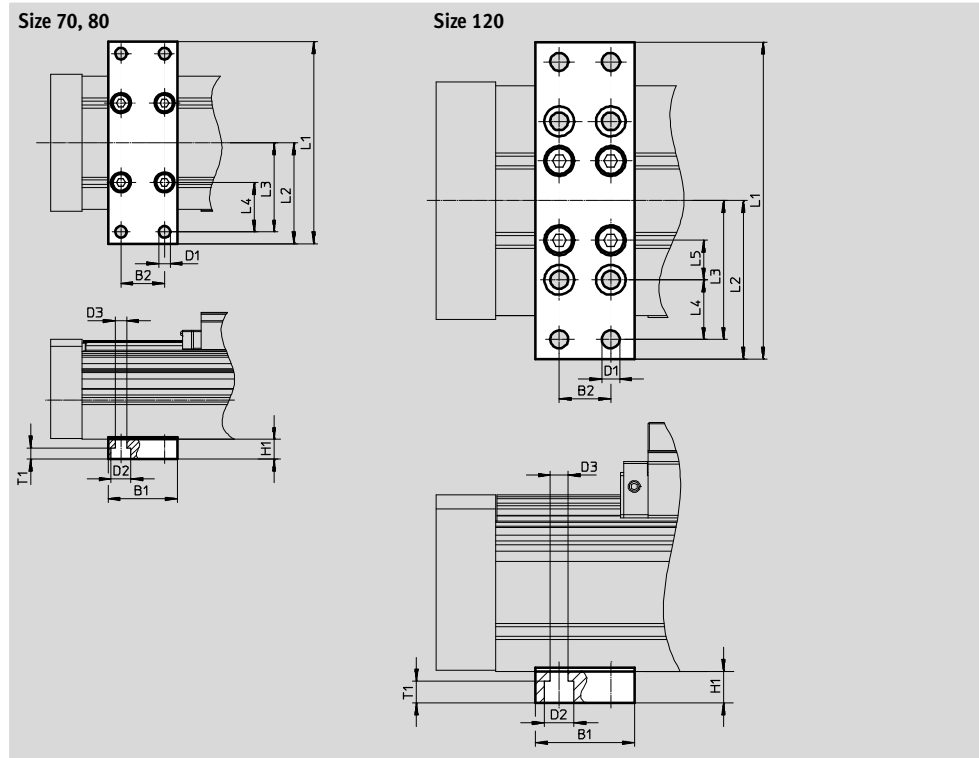
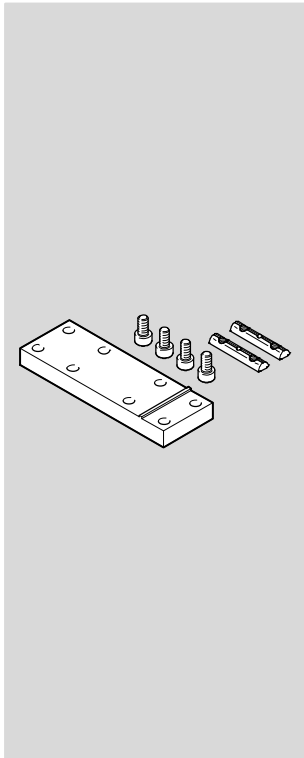


Central support EAHF

Materials:

Anodised aluminium

RoHS-compliant



Dimensions and ordering data							
For size	B1	B2	D1 Ø	D2 Ø	D3 Ø	H1	L1
70	35	22	5.8	10	5.8	10	102
80							112
120	50	26	9	15	9	16	160

For size	L2	L3	L4	L5	T1	Weight [g]	Part No.	Type
70	51	45	25	-	5.7	113	2349256	EAHF-L5-70-P
80	56	50	30			123	3535188	EAHF-L5-80-P
120	80	70	30	20	11	384	2410274	EAHF-L5-120-P

Passive guide axes EGC-FA, without drive

Accessories

Shock absorber retainer KYE

Emergency buffer NPE → 33

Shock absorber YSRW → 33

(order code A or C)

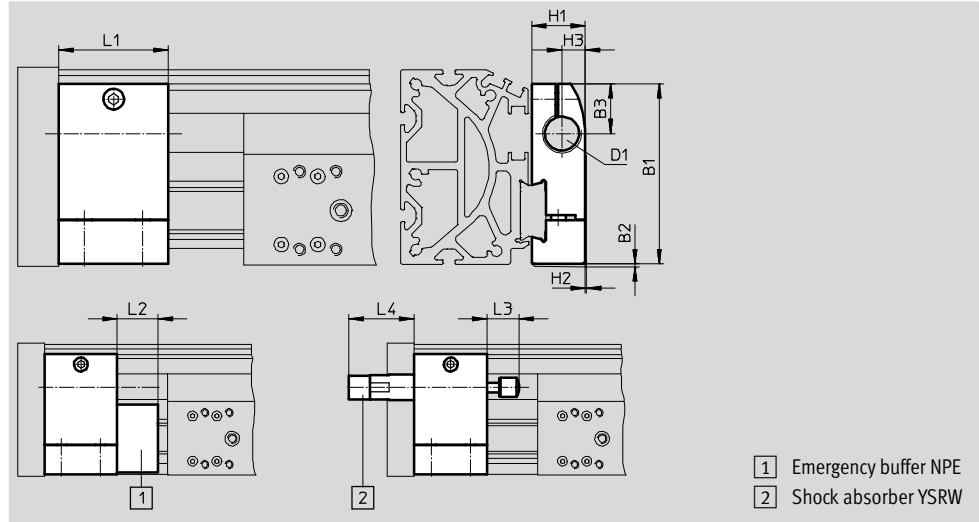
Material:

Anodised aluminium

RoHS-compliant

Cannot be used in combination with

the variant GP or GK-C and 1H...-PN, 2H-PN.



Dimensions and ordering data														
For size	B1	B2	B3	D1	H1	H2	H3	L1	L2	L3	L4	Weight [g]	Part No.	Type
70	57.5	1	16.5	M12X1	18.2	0.5	7.5	30	15	14	32	75	557584	KYE-70
80	74.2	1	20.5	M16X1	22	0.5	9.5	45	25	20	41	170	557585	KYE-80
120	108.5	1	26	M22X1.5	31	1	14	60	40	26	48.5	680	557586	KYE-120
185	168	1	37	M26X1.5	42	4	18	75	60	34	58.5	1075	557587	KYE-185

Switch lug SF-EGC-1

for sensing via proximity sensor

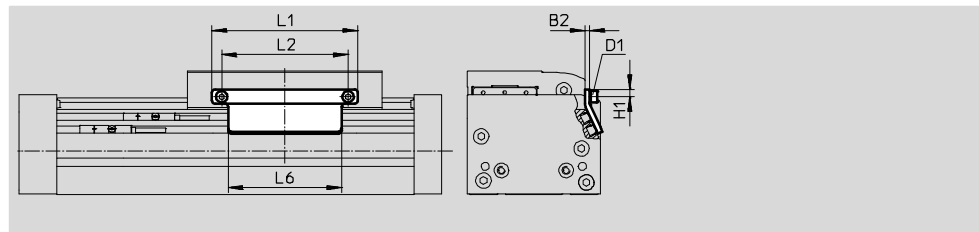
SIES-8M

(order code X or Z)

Material:

Galvanised steel

RoHS-compliant



Dimensions and ordering data									
For size	B2	D1	H1	L1	L2	L6	Weight [g]	Part No.	Type
70	3	M4	4.65	70	56	50	50	558047	SF-EGC-1-70
80	3	M4	4.65	90	78	70	63	558048	SF-EGC-1-80
120	3	M5	8	170	140	170	147	558049	SF-EGC-1-120
185	3	M5	10	230	200	230	246	558051	SF-EGC-1-185

Passive guide axes EGC-FA, without drive

Accessories



Switch lug SF-EGC-2

for sensing via proximity sensor
SIEN-M8B (order code O, P, W or R) or
SIES-8M (order code X or Z)

Material:

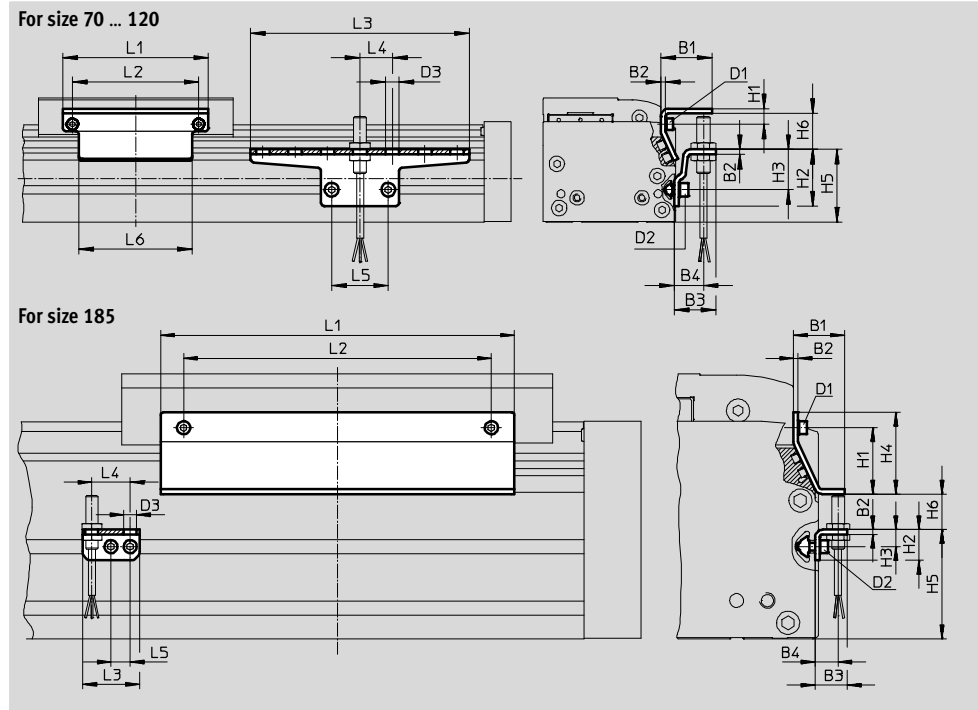
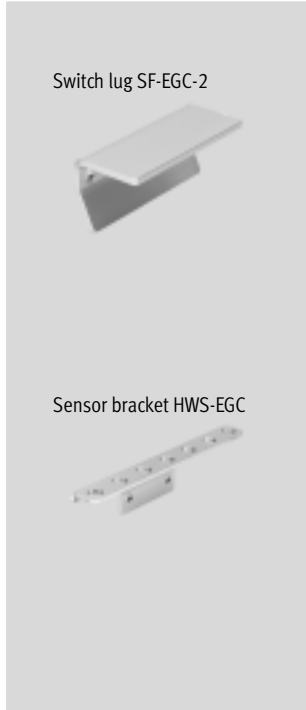
Galvanised steel
RoHS-compliant

Sensor bracket HWS-EGC

for proximity sensor SIEN-M8B
(order code O, P, W or R)

Material:

Galvanised steel
RoHS-compliant



Dimensions and ordering data									
For size	B1	B2	B3	B4	D1	D2	D3	H1	H2
70	31.5	3	25.5	18	M4	M5	8.4	9.5	35
80	31.5	3	25.5	18	M4	M5	8.4	9.5	35
120	32	3	25.5	18	M5	M5	8.4	13.2	65
185	33	3	25.5	15	M5	M5	8.4	43	20

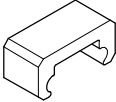
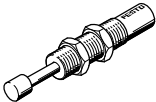


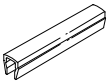
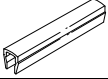

For size	H3	H4	H5	H6	L1	L2	L3	L4	L5	L6
70	25	–	45	13.5	70	56	135	20	35	50
80	25	–	45	23.5	90	78	135	20	35	70
120	55	–	75	24	170	140	215	20	35	170
185	11	53	71	25.5	230	200	37	25	12.5	230

For size	Weight [g]	Part No.	Type
Switch lug			
70	100	558052	SF-EGC-2-70
80	130	558053	SF-EGC-2-80
120	277	558054	SF-EGC-2-120
185	390	558056	SF-EGC-2-185

For size	Weight [g]	Part No.	Type
Sensor bracket			
70	110	558057	HWS-EGC-M5
80	110	558057	HWS-EGC-M5
120	217	570365	HWS-EGC-M8-B
185	58	560517	HWS-EGC-M8:KURZ

Passive guide axes EGC-FA, without drive

Accessories

Ordering data						
	For size	Remarks	Order code	Part No.	Type	PU ¹⁾
Emergency buffer NPE						
	70	For use in combination with shock absorber retainer KYE	A	562581	NPE-70	1
	80			562582	NPE-80	
	120			562583	NPE-120	
	185			562584	NPE-185	
Shock absorber YSRW Technical data → Internet: ysrw						
	70	For use in combination with shock absorber retainer KYE	C	191194	YSRW-8-14	1
	80			191196	YSRW-12-20	
	120			191197	YSRW-16-26	
	185			191198	YSRW-20-34	
Slot nut NST						
	70, 80	For mounting slot	Y	150914	NST-5-M5	1
				8047843	NST-5-M5-10	10
				8047878	NST-5-M5-50	50
	120, 185	For mounting slot	Y	150915	NST-8-M6	1
				8047868	NST-8-M6-10	10
				8047869	NST-8-M6-50	50
Centring pin/sleeve ZBS/ZBH²⁾						
	70	For slide	-	150928	ZBS-5	10
	80, 120, 185			150927	ZBH-9	
Slot cover ABP						
	70, 80	For mounting slot every 0.5 m	B	151681	ABP-5	2
	120, 185			151682	ABP-8	
Slot cover ABP-S						
	70 ... 185	For sensor slot every 0.5 m	S	563360	ABP-5-S1	2
Clip SMBK						
	70 ... 185	For sensor slot, for attaching the proximity sensor cables	CL	534254	SMBK-8	10

1) Packaging unit

2) 2 centring pins/sleeves included in the scope of delivery of the axis

Passive guide axes EGC-FA, without drive

Accessories

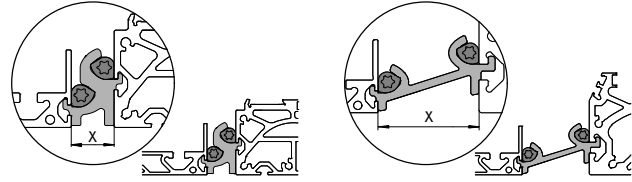


Mounting options between axis and support profile

Depending on the adapter kit, the spacing between the axis and the support profile is:
x = 20 mm or 50 mm

The support profile must be mounted using at least 2 adapter kits. For longer strokes, an adapter kit must be used every 500 mm.

Example:





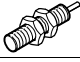

Ordering data					
	For size	Comment	Part No.	Type	PU ¹⁾
Adapter kit DHAM					
	80	<ul style="list-style-type: none"> For mounting the support profile on the axis Spacing between axis and profile is 20 mm 	562241	DHAM-ME-N1-CL	1
	120		562242	DHAM-ME-N2-CL	
	70, 80	<ul style="list-style-type: none"> For mounting the support profile on the axis Spacing between axis and profile is 50 mm 	574560	DHAM-ME-N1-50-CL	
	120		574561	DHAM-ME-N2-50-CL	
Support profile HMIA					
	70 ... 120	<ul style="list-style-type: none"> For guiding an energy chain 	539379	HMIA-E07-	1



1) Packaging unit

Ordering data – Proximity sensors for T-slot, inductive						Technical data → Internet: sies	
	Type of mounting	Electrical connection	Switching output	Cable length [m]	Order code	Part No.	Type
N/O contact							
	Insertable in the slot from above, flush with the cylinder profile	Cable, 3-wire	PNP	7.5	X	551386	SIES-8M-PS-24V-K-7,5-OE
		Plug M8x1, 3-pin		0.3	-	551387	SIES-8M-PS-24V-K-0,3-M8D
		Cable, 3-wire	NPN	7.5	-	551396	SIES-8M-NS-24V-K-7,5-OE
		Plug M8x1, 3-pin		0.3	-	551397	SIES-8M-NS-24V-K-0,3-M8D
N/C contact							
	Insertable in the slot from above, flush with the cylinder profile	Cable, 3-wire	PNP	7.5	Z	551391	SIES-8M-PO-24V-K-7,5-OE
		Plug M8x1, 3-pin		0.3	-	551392	SIES-8M-PO-24V-K-0,3-M8D
		Cable, 3-wire	NPN	7.5	-	551401	SIES-8M-NO-24V-K-7,5-OE
		Plug M8x1, 3-pin		0.3	-	551402	SIES-8M-NO-24V-K-0,3-M8D

Passive guide axes EGC-FA, without drive

Accessories

Ordering data – Proximity sensors M8 (round design), inductive						Technical data → Internet: sien	
	Electrical connection	LED	Switching output	Cable length [m]	Order code	Part No.	Type
N/O contact							
	Cable, 3-wire	■	PNP	2.5	O	150386	SIEN-M8B-PS-K-L
	Plug M8x1, 3-pin	■	PNP	–	W	150387	SIEN-M8B-PS-S-L
N/C contact							
	Cable, 3-wire	■	PNP	2.5	P	150390	SIEN-M8B-PO-K-L
	Plug M8x1, 3-pin	■	PNP	–	R	150391	SIEN-M8B-PO-S-L

Ordering data – Connecting cables				Technical data → Internet: nebu	
	Electrical connection, left	Electrical connection, right	Cable length [m]	Part No.	Type
	Straight socket, M8x1, 3-pin	Cable, open end, 3-wire	2.5	159420	SIM-M8-3GD-2,5-PU
			2.5	541333	NEBU-M8G3-K-2.5-LE3
			5	541334	NEBU-M8G3-K-5-LE3
	Angled socket, M8x1, 3-pin	Cable, open end, 3-wire	2.5	541338	NEBU-M8W3-K-2.5-LE3
			5	541341	NEBU-M8W3-K-5-LE3