

Toothed belt axes ELGA-TB



Festo core product range
Covers 80% of your automation tasks

Worldwide:
Superb:
Easy:

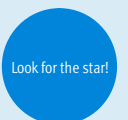
Always in stock
Festo quality at an attractive price
Reduces procurement and storing complexity



Ready for dispatch from the Festo factory in 24 hours
Held in stock in 13 service centres worldwide
More than 2200 products



Ready for dispatch in 5 days maximum from stock
Assembled for you in 4 service centres worldwide
Up to 6 x 10¹² variants per product series



Electromechanical drives

Selection aid



Overview of toothed belt and spindle axes

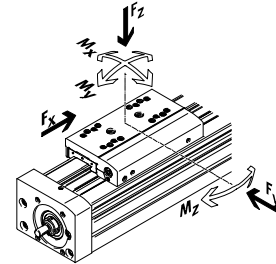
Toothed belt axes

- Speeds of up to 10 m/s
- Acceleration of up to 50 m/s²
- Repetition accuracy of up to ±0.08 mm
- Strokes of up to 8500 mm (longer strokes on request)
- Flexible motor mounting

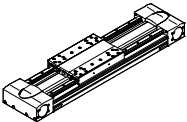
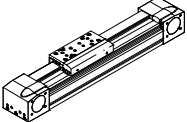
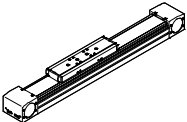
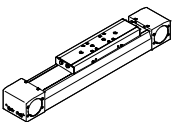
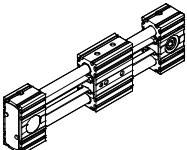
Spindle axes

- Speeds of up to 2 m/s
- Acceleration of up to 20 m/s²
- Repetition accuracy of up to ±0.003 mm
- Strokes of up to 3000 mm

Coordinate system



Toothed belt axes

Type	F_x [N]	v [m/s]	M_x [Nm]	M_y [Nm]	M_z [Nm]	Key features
Heavy-duty recirculating ball bearing guide						
EGC-HD-TB						
	450 1000 1800	3 5 5	140 300 900	275 500 1450	275 500 1450	<ul style="list-style-type: none"> • Flat drive unit with rigid, closed profile • Precision DUO guide rail with high load capacity • Ideal as a basic axis for linear gantries and cantilever axes
Recirculating ball bearing guide						
EGC-TB-KF						
	50 100 350 800 2500	3 5 5 5 5	3.5 16 36 144 529	10 132 228 680 1820	10 132 228 680 1820	<ul style="list-style-type: none"> • Rigid, closed profile • Precision guide rail with high load capacity • Small drive pinions reduce required driving torque • Space-saving position sensing
ELGA-TB-KF						
	350 800 1300 2000	5 5 5 5	16 36 104 167	132 228 680 1150	132 228 680 1150	<ul style="list-style-type: none"> • Internal guide and toothed belt • Precision guide rail with high load capacity • Guide and toothed belt protected by cover strip • High feed forces
ELGA-TB-KF-F1						
	260 600 1000	5 5 5	16 36 104	132 228 680	132 228 680	<ul style="list-style-type: none"> • Suitable for use in the food zone • "Clean Look": smooth, easy to clean surfaces • Internal guide and toothed belt • Precision guide rail with high load capacity • Guide and toothed belt protected by cover strip
ELGR-TB						
	50 100 350	3 3 3	2.5 5 15	20 40 124	20 40 124	<ul style="list-style-type: none"> • Cost-optimised rod guide • Ready-to-install unit • Ball bearings with high load capacity for dynamic operation

Electromechanical drives

Selection aid

Overview of toothed belt and spindle axes

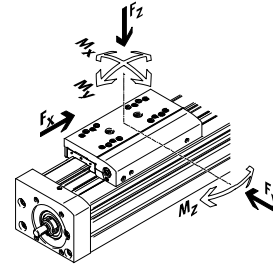
Toothed belt axes

- Speeds of up to 10 m/s
- Acceleration of up to 50 m/s²
- Repetition accuracy of up to ±0.08 mm
- Strokes of up to 8500 mm (longer strokes on request)
- Flexible motor mounting

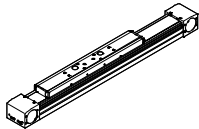
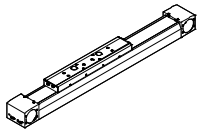
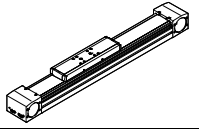
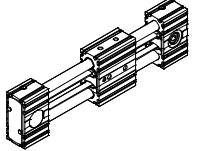
Spindle axes

- Speeds of up to 2 m/s
- Acceleration of up to 20 m/s²
- Repetition accuracy of up to ±0.003 mm
- Strokes of up to 3000 mm

Coordinate system



Toothed belt axes

Type	F_x [N]	v [m/s]	M_x [Nm]	M_y [Nm]	M_z [Nm]	Key features
Roller bearing guide						
ELGA-TB-RF						
	350 800 1300	10 10 10	11 30 100	40 180 640	40 180 640	<ul style="list-style-type: none"> • Heavy-duty roller bearing guide • Guide and toothed belt protected by cover strip • Speeds of up to 10 m/s • Lower weight than axes with guide rails
ELGA-TB-RF-F1						
	260 600 1000	10 10 10	8.8 24 80	32 144 512	32 144 512	<ul style="list-style-type: none"> • Suitable for use in the food zone • "Clean Look": smooth, easy to clean surfaces • Heavy-duty roller bearing guide • Guide and toothed belt protected by cover strip • Lower weight than axes with guide rails
Plain-bearing guide						
ELGA-TB-G						
	350 800 1300	5 5 5	5 10 120	30 60 120	10 20 40	<ul style="list-style-type: none"> • Guide and toothed belt protected by cover strip • For simple handling tasks • As a drive component for external guides • Insensitive to harsh operating conditions
ELGR-TB-GF						
	50 100 350	1 1 1	1 2.5 1	10 20 40	10 20 40	<ul style="list-style-type: none"> • Cost-optimised rod guide • Ready-to-install unit • Heavy-duty plain bearings for use in harsh operating conditions

Electromechanical drives

Selection aid



Overview of toothed belt and spindle axes

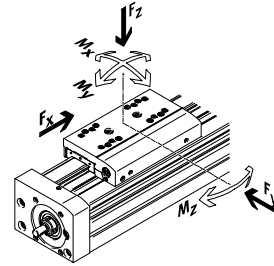
Toothed belt axes

- Speeds of up to 10 m/s
- Acceleration of up to 50 m/s²
- Repetition accuracy of up to ±0.08 mm
- Strokes of up to 8500 mm (longer strokes on request)
- Flexible motor mounting

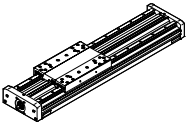
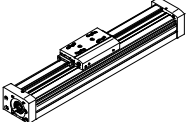
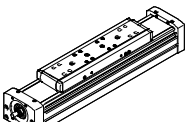
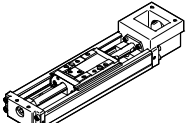
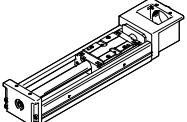
Spindle axes

- Speeds of up to 2 m/s
- Acceleration of up to 20 m/s²
- Repetition accuracy of up to ±0.003 mm
- Strokes of up to 3000 mm

Coordinate system



Spindle axes

Type	F_x [N]	v [m/s]	M_x [Nm]	M_y [Nm]	M_z [Nm]	Key features
Heavy-duty recirculating ball bearing guide						
EGC-HD-BS						
	300 600 1300	0.5 1.0 1.5	140 300 900	275 500 1450	275 500 1450	<ul style="list-style-type: none"> • Flat drive unit with rigid, closed profile • Precision DUO guide rail with high load capacity • Ideal as a basic axis for linear gantries and cantilever axes
Recirculating ball bearing guide						
EGC-BS-KF						
	300 600 1300 3000	0.5 1.0 1.5 2.0	16 36 144 529	132 228 680 1820	132 228 680 1820	<ul style="list-style-type: none"> • Rigid, closed profile • Precision guide rail with high load capacity • For the highest requirements in terms of feed force and accuracy • Space-saving position sensing
ELGA-BS-KF						
	300 600 1300 3000	0.5 1.0 1.5 2.0	16 36 104 167	132 228 680 1150	132 228 680 1150	<ul style="list-style-type: none"> • Internal guide and ball screw • Precision guide rail with high load capacity • For the highest requirements in terms of feed force and accuracy • Guide and ball screw protected by cover strip • Space-saving position sensing
EGSK						
	57 133 184 239 392	0.33 1.10 0.83 1.10 1.48	13 28.7 60 79.5 231	3.7 9.2 20.4 26 77.3	3.7 9.2 20.4 26 77.3	<ul style="list-style-type: none"> • Spindle axes with maximum precision, compactness and rigidity • Recirculating ball bearing guide and ball screw without caged ball bearings • Standard designs in stock
EGSP						
	112 212 466 460	0.6 0.6 2.0 2.0	36.3 81.5 90.3 258	12.5 31.6 32.1 94	12.5 31.6 32.1 94	<ul style="list-style-type: none"> • Spindle axes with maximum precision, compactness and rigidity • Recirculating ball bearing guide with caged ball bearings • Ball screw sizes 33, 46 with caged ball bearings

Toothed belt axes ELGA-TB

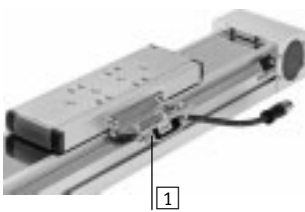
Key features

At a glance

ELGA-TB-KF/-KF-F1 – Recirculating ball bearing guide



- Internal, precision recirculating ball bearing guide with high load capacity for high torque loads
- Stainless steel cover strip provides basic protection for guide and toothed belt
- Suitable for use in the food zone (ELGA-...-F1)
- Easy maintenance thanks to easily accessible lubrication connections
- One additional slide can be selected



1 Displacement encoder (optional)
The position of the slide can be sensed directly when using the incremental displacement encoder. This means that all elasticities of the drive train can be detected and can be corrected by the motor controller (→ page 15)

ELGA-TB-RF/-RF-F1 – Roller bearing guide



- For high acceleration and speeds
- Guide backlash = 0 mm
- Very good operating performance under torque load
- Suitable for use in the food zone (ELGA-...-F1)
- Heavy-duty alternative to the recirculating ball bearing guide
- Actuator for external guides, especially with high speeds

ELGA-TB-G – Plain-bearing guide

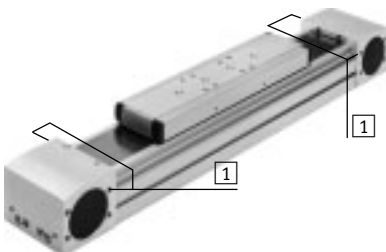


- For small and medium loads
- Low guide backlash
- Actuator for external guides
- For simple handling tasks

Sealing air connections

- 1** Sealing air connections
- Application of vacuum prevents abraded particles from being released into the environment

- Application of gauge pressure prevents dirt from getting into the axis



Flexible motor connection

The motor position can be freely selected on 4 sides and can be changed at any time.



Toothed belt axes ELGA-TB

Key features

Complete system comprising toothed belt axis, motor, motor controller and motor mounting kit



Motor

→ page 100



- 1 Servo motor EMME-AS, EMMS-AS
- 2 Stepper motor EMMS-ST

- - Note

A range of specially adapted complete solutions is available for the toothed belt axis ELGA and the motors.

Motor controller

Technical data → Internet: motor controller



- 1 Servo motor controller CMMP-AS
- 2 Stepper motor controller CMMS-ST

Motor attachment set

→ page 100

Axial kit



Kit comprising:

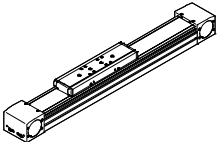
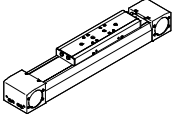
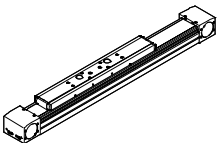
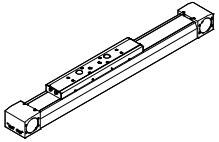
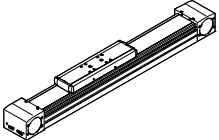
- Motor flange
- Coupling housing
- Coupling
- Screws

Toothed belt axes ELGA-TB

Key features

Characteristic values of the axes

The specifications shown in the table are maximum values. The precise values for each of the variants can be found in the relevant technical data.

Version	Size	Working stroke [mm]	Speed [m/s]	Repetition accuracy [mm]	Feed force [N]	Guide characteristics					→ Page/ Internet
						Forces and torques					
						F _y [N]	F _z [N]	M _x [Nm]	M _y [Nm]	M _z [Nm]	
ELGA-TB-KF – Recirculating ball bearing guide											
	70	50 ... 5000	5	±0.08	350	1500	1850	16	132	132	10
	80	50 ... 8500	5	±0.08	800	2500	3050	36	228	228	
	120	50 ... 8500	5	±0.08	1300	5500	6890	104	680	680	
	150	50 ... 7000	5	±0.08	2000	11000	11000	167	1150	1150	
ELGA-TB-KF-F1 – Recirculating ball bearing guide, suitable for use in the food zone											
	70	50 ... 5000	5	±0.08	260	1500	1850	16	132	132	30
	80	50 ... 8500	5	±0.08	600	2500	3050	36	228	228	
	120	50 ... 8500	5	±0.08	1000	5500	6890	104	680	680	
ELGA-TB-RF – Roller bearing guide											
	70	50 ... 7000	10	±0.08	350	500	500	11	40	40	48
	80	50 ... 7000	10	±0.08	800	800	800	30	180	180	
	120	50 ... 7400	10	±0.08	1300	2000	2000	100	640	640	
ELGA-TB-RF-F1 – Roller bearing guide, suitable for use in the food zone											
	70	50 ... 7000	10	±0.08	260	400	400	8.8	32	32	66
	80	50 ... 7000	10	±0.08	600	640	640	24	144	144	
	120	50 ... 7400	10	±0.08	1000	1600	1600	80	512	512	
ELGA-TB-G – Plain-bearing guide											
	70	50 ... 8500	5	±0.08	350	80	400	5	30	10	84
	80	50 ... 8500	5	±0.08	800	200	800	10	60	20	
	120	50 ... 8500	5	±0.08	1300	380	1600	20	120	40	

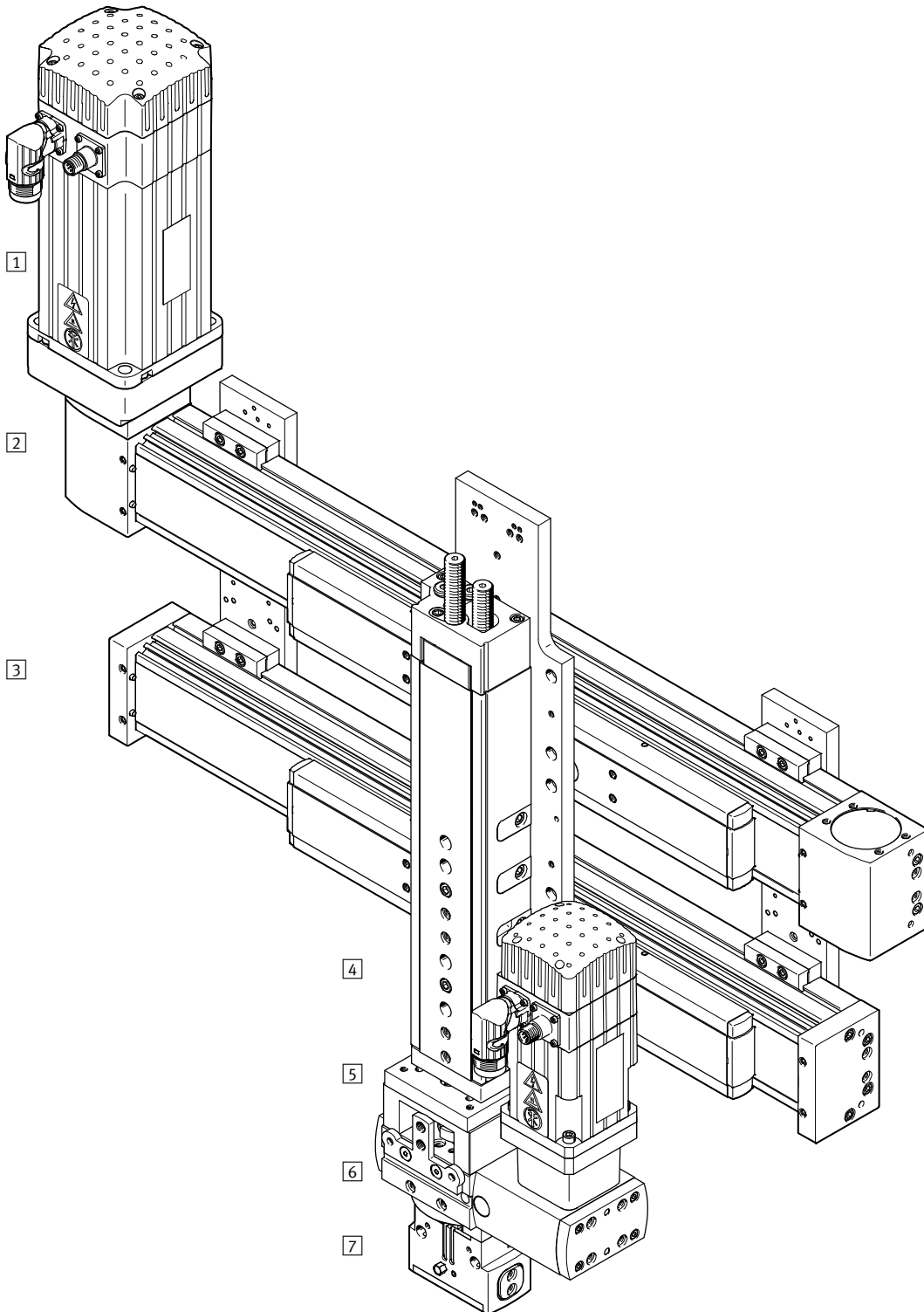
-  - Note
PositioningDrives
engineering software
www.festo.com

Toothed belt axes ELGA-TB

Key features

FESTO

System product for handling and assembly technology



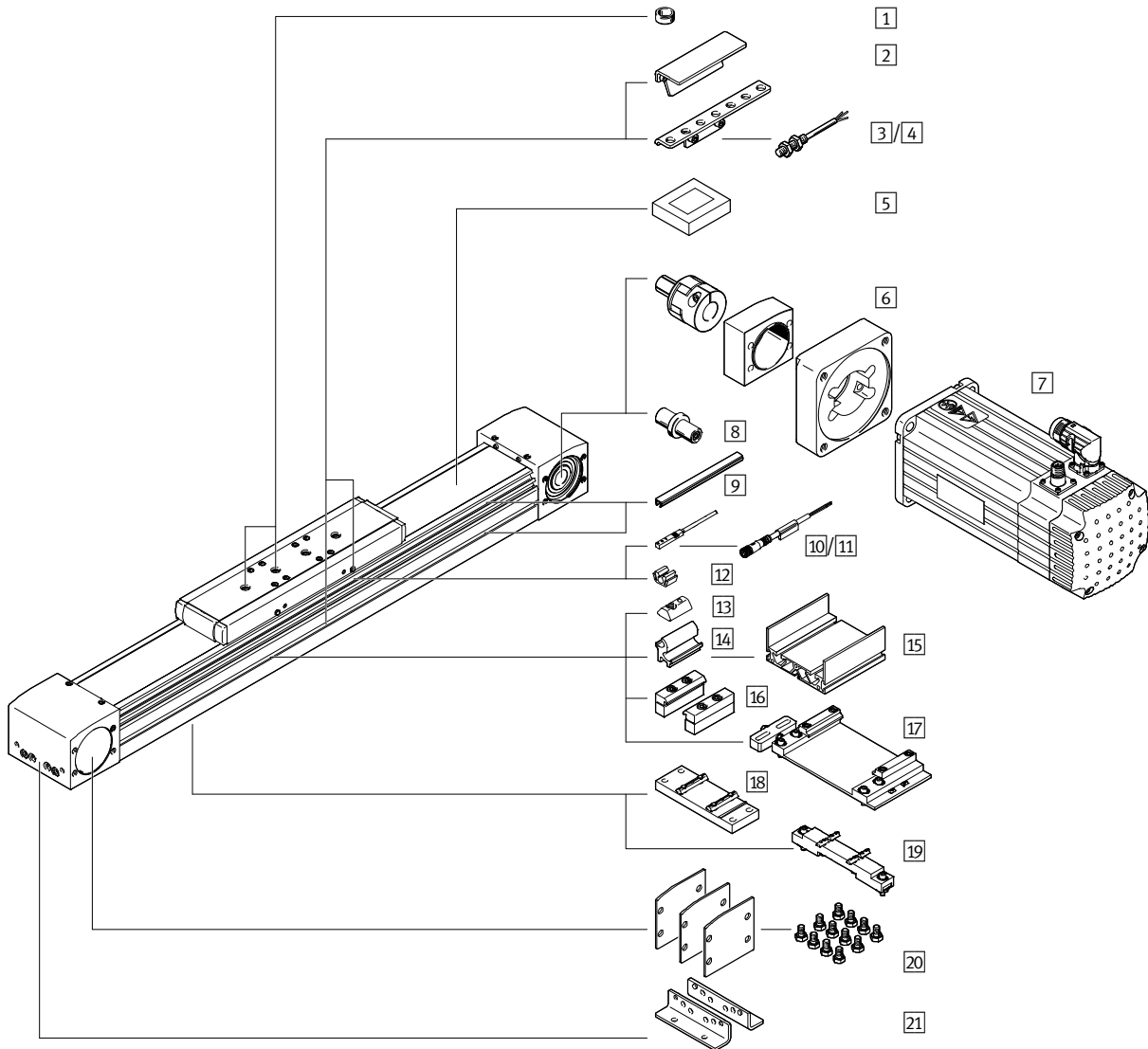
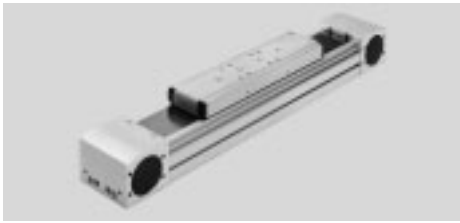
Toothed belt axes ELGA-TB

Key features

System components and accessories		
	Description	→ Internet
1	Motors	Servo and stepper motors, with or without gear unit motor
2	Axes	Wide range of combinations possible within handling and assembly technology axis
3	Guide axes	For supporting force and torque capacity in multi-axis applications guide axis
4	Drives	Wide range of combinations possible within handling and assembly technology drive
5	Adapters	For drive/drive and drive/gripper connections gripper
6	Semi-rotary drives	Wide range of variations possible within handling and assembly technology semi-rotary drive
7	Grippers	Wide range of variations possible within handling and assembly technology gripper

Toothed belt axes ELGA-TB-KF, with recirculating ball bearing guide

Peripherals overview



Toothed belt axes ELGA-TB-KF, with recirculating ball bearing guide

Peripherals overview

Accessories			
	Type/order code	Description	→ Page/Internet
1	Centring pin/sleeve ZBS, ZBH	<ul style="list-style-type: none"> For centring loads and attachments on the slide 2 centring pins/sleeves included in the scope of delivery of the axis 	113
2	Switch lug SF-EGC	For sensing the slide position	110
3	Sensor bracket HWS-EGC	For mounting the inductive proximity sensors (round design) on the axis	111
4	Proximity sensor, M8 SIEN-M8	Inductive proximity sensor, round design	115
5	Clamping component EADT	Tool for retensioning the cover strip	113
6	Axial kit EAMM	For axial motor mounting (comprises: coupling, coupling housing and motor flange)	100
7	Motor EMME, EMMS	Motors specially matched to the axis, with or without gear unit, with or without brake	100
8	Drive shaft EAMB	<ul style="list-style-type: none"> Can, if required, be used as an alternative interface No drive shaft is required for the axis/motor combinations → page 100 	104
9	Slot cover ABP	For protection against contamination	113
10	Proximity sensor, T-slot SIES-8M	<ul style="list-style-type: none"> Inductive proximity sensor, for T-slot The order code SA, SB includes 1 switch lug in the scope of delivery 	114
11	Connecting cable NEBU, SIM	For proximity sensor	115
12	Clip SMBK	For mounting the proximity sensor cable in the slot	113
13	Slot nut NST	For mounting attachments	113
14	Adapter kit DHAM	For mounting the support profile on the axis	114
15	Support profile HMIA	For mounting and guiding an energy chain	114
16	Profile mounting MUE	For mounting the axis on the side of the profile	106
17	Adjusting kit EADC-E16	Used to mount the axis on a vertical surface. Following mounting, the axis can be aligned horizontally	109
18	Central support EAHF-L5	For mounting the axis from underneath on the profile	107
19	Adjusting kit EADC-E15	It is height-adjustable. Can be used to compensate any unevenness in the bearing surface	108
20	Cover kit EASC-L5	For covering the sides of the drive cover	113
21	Foot mounting HPE	<ul style="list-style-type: none"> For mounting the axis on the end cap With higher forces and torques, the axis should be mounted using the profile 	105

Toothed belt axes ELGA-TB-KF, with recirculating ball bearing guide

Type codes

		ELGA	-	TB	-	KF	-	70	-	800	-	20H	-	
Type														
ELGA	Toothed belt axis													
Drive function														
TB	Toothed belt													
Guidance														
KF	Recirculating ball bearing guide													
Size														
Stroke [mm]														
Stroke reserve														
Additional slide														
-	None													
ZL	1 slide on left													
ZR	1 slide on right													

Toothed belt axes ELGA-TB-KF, with recirculating ball bearing guide

Type codes

→ - [] [] - []

Displacement encoder, incremental	
-	None
-M1	Resolution 2.5 µm
-M2	Resolution 10 µm

Displacement encoder attachment position	
-	None
B	Rear
F	Front

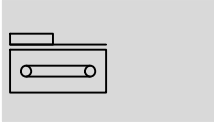
Operating instructions	
-	With operating instructions
DN	Without operating instructions




Toothed belt axes ELGA-TB-KF, with recirculating ball bearing guide

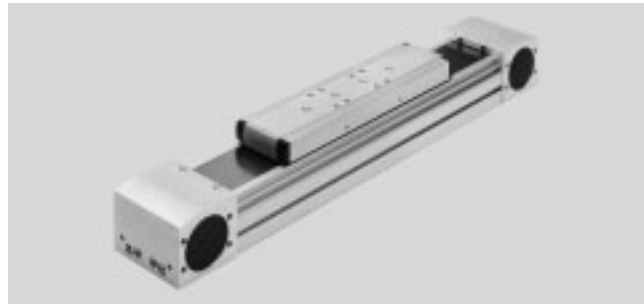
FESTO

Technical data

Function



-  - Size
70 ... 150
-  - Stroke length
50 ... 8500 mm
-  - www.festo.com



General technical data					
Size		70	80	120	150
Design		Electromechanical axis with toothed belt			
Guide		Recirculating ball bearing guide			
Mounting position		Any			
Working stroke	[mm]	50 ... 5000	50 ... 8500	50 ... 8500	50 ... 7000
Max. feed force F_x	[N]	350	800	1300	2000
Max. no-load torque ¹⁾	[Nm]	0.6	1	2.8	4
Max. no-load resistance to shifting ¹⁾	[N]	41.9	50.3	76.2	108.3
Max. driving torque	[Nm]	5.02	15.92	34.1	73.85
Max. speed	[m/s]	5			
Max. acceleration	[m/s ²]	50			
Repetition accuracy	[mm]	±0.08			

1) At 0.2 m/s

Operating and environmental conditions		
Ambient temperature ¹⁾	[°C]	-10 ... +60
Degree of protection		IP40
Duty cycle	[%]	100

1) Note operating range of proximity sensors

Weight [kg]					
Size		70	80	120	150
Basic weight with 0 mm stroke ¹⁾		2.97	4.70	15.68	32.83
Additional weight per 1000 mm stroke		3.94	5.13	10.64	17.22
Moving load					
ELGA-...		0.90	1.90	4.19	7.24
ELGA-...-ZL/ZR		0.74	1.53	3.24	5.84

1) Incl. slide

Toothed belt					
Size		70	80	120	150
Pitch	[mm]	3	5	5	8
Expansion ¹⁾	[%]	0.213	0.168	0.210	0.269
Effective diameter	[mm]	28.65	39.79	52.52	73.85
Feed constant	[mm/rev]	90	125	165	232

1) At max. feed force

Toothed belt axes ELGA-TB-KF, with recirculating ball bearing guide

Technical data

Mass moment of inertia					
Size		70	80	120	150
J_0	[kg mm ²]	243	982	4099	15426
J_H per metre stroke	[kg mm ² /m]	19	93	215	586
J_L per kg payload	[kg mm ² /kg]	205	396	690	1363
J_W for additional slide	[kg mm ²]	186	761	2891	9869

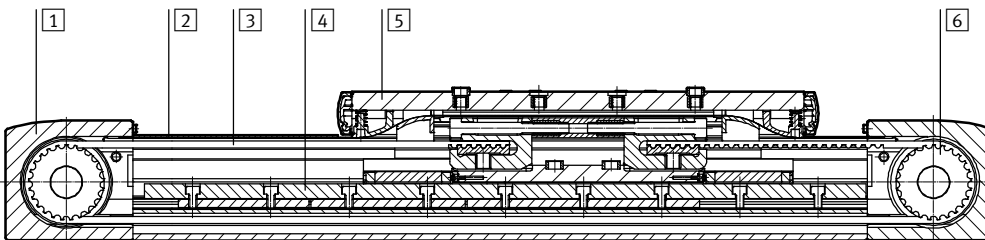
The mass moment of inertia J_A of the entire axis is calculated as follows:

$$J_A = J_0 + K \times J_W + J_H \times \text{working stroke [m]} + J_L \times m_{\text{payload [kg]}}$$

$K =$ Number of additional slides

Materials

Sectional view



Axis Size	70	80	120	150
1 Drive cover	Anodised wrought aluminium alloy			
2 Cover strip	Stainless steel			
3 Toothed belt	Polychloroprene with glass cord and nylon coating			
4 Guide rail	Stainless steel		Tempered steel	
5 Slide	Anodised wrought aluminium alloy			
6 Belt pulley	High-alloy stainless steel			
Note on materials	RoHS-compliant			
	Contains paint-wetting impairment substances			

Technical data – Displacement encoder			Dimensions → page 26
Type	ELGA-...-M1	ELGA-...-M2	
Resolution	[µm]	2.5	10
Max. travel speed with displacement encoder	[m/s]	4	4
Encoder signal	5 V TTL; A/A, B/B; reference signal (N/N) cyclically every 5 mm (zero pulse)		
Signal output	Line driver, alternating, resistant to sustained short circuit		
Electrical connection	8-pin plug connector, round design, M12		
Cable length	[mm]	160	

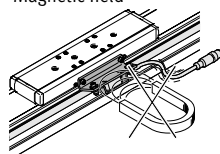
Operating and environmental conditions – Displacement encoder		
Ambient temperature	[°C]	-10 ... +70
Degree of protection		IP64
CE marking (see declaration of conformity)		To EU EMC Directive ¹⁾

1) For information about the applicability of the component see the manufacturer's EC declaration of conformity at: www.festo.com/sp → Certificates. If the component is subject to restrictions on usage in residential, office or commercial environments or small businesses, further measures to reduce the emitted interference may be necessary.

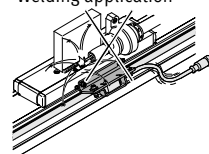
Notes regarding use

The toothed belt axis with displacement encoder is not designed for the following sample applications:

- Magnetic field



- Welding application



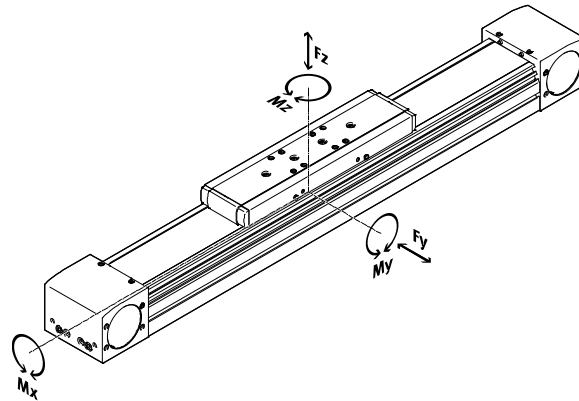
Toothed belt axes ELGA-TB-KF, with recirculating ball bearing guide

Technical data

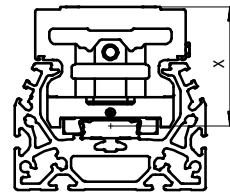
Characteristic load values

The indicated forces and torques refer to the centre of the guide. The point of application of force is the point where the centre of the guide and the longitudinal centre of the slide intersect.

These values must not be exceeded during dynamic operation. Special attention must be paid to the cushioning phase.




Distance from the slide surface to the centre of the guide



Distance from the slide surface to the centre of the guide					
Size		70	80	120	150
Dimension x	[mm]	37	50	70	86

Max. permissible forces and torques for a service life of 5000 km					
Size		70	80	120	150
Fy _{max.}	[N]	1500	2500	5500	11000
Fz _{max.}	[N]	1850	3050	6890	11000
Mx _{max.}	[Nm]	16	36	104	167
My _{max.}	[Nm]	132	228	680	1150
Mz _{max.}	[Nm]	132	228	680	1150

-  - Note

For a guiding system service life of 5000 km, the load comparison factor must have a value of $f_v < 1$, based on the maximum permissible forces and torques for a service life of 5000 km.

If the axis is subjected to two or more of the indicated forces and torques simultaneously, the following equation must be satisfied in addition to the indicated maximum loads:

Calculating the load comparison factor:

$$f_v = \frac{|F_{y,dyn}|}{F_{y,max}} + \frac{|F_{z,dyn}|}{F_{z,max}} + \frac{|M_{x,dyn}|}{M_{x,max}} + \frac{|M_{y,dyn}|}{M_{y,max}} + \frac{|M_{z,dyn}|}{M_{z,max}}$$

Toothed belt axes ELGA-TB-KF, with recirculating ball bearing guide

Technical data

Calculating the service life

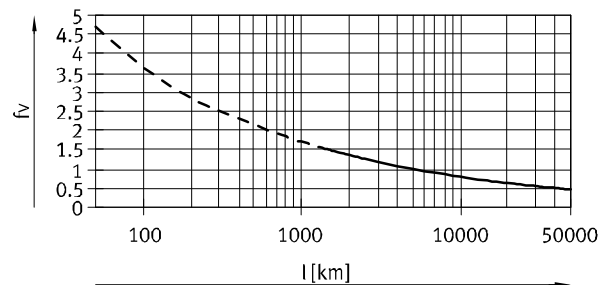
The service life of the guide depends on the load. To provide a rough indication of the service life of the guide, the graph below plots the load comparison factor f_v against the service life.

These values are only theoretical. You must consult your local contact person at Festo for load comparison factors f_v greater than 1.5.

Load comparison factor f_v as a function of service life

Example:

A user wants to move an X kg load. Using the formula → page 16 gives a value of 1.5 for the load comparison factor f_v . According to the graph, the guide would have a service life of approx. 1500 km. Reducing the acceleration reduces the M_z and M_y values. A load comparison factor f_v of 1 now gives a service life of 5000 km.



Note

PositioningDrives
engineering software
www.festo.com

The software can be used to calculate a guide workload for a service life of 5000 km.

$f_v > 1.5$ are only theoretical comparison values for the recirculating ball bearing guide.

Comparison of the characteristic load values for 5000 km with dynamic forces and torques of recirculating ball bearing guides

The characteristic load values of roller guides are standardised to ISO and JIS using dynamic and static forces and torques. These forces and torques are based on an expected guide system service life of 100 km to ISO or 50 km to JIS. As the characteristic load values are dependent on the service life, the maximum permissible forces and torques for a 5000 km service life cannot be compared with the dynamic forces and torques of roller guides to ISO/JIS.

To make it easier to compare the guide capacity of linear axes ELGA with roller guides, the table below lists the theoretically permissible forces and torques for a calculated service life of 100 km. This corresponds to the dynamic forces and torques to ISO.

These 100 km values have been calculated mathematically and are only to be used for comparing with dynamic forces and torques to ISO. The drives must not be loaded with these characteristic values as this could damage the axes.

Max. permissible forces and torques for a theoretical service life of 100 km (from a guide perspective only)

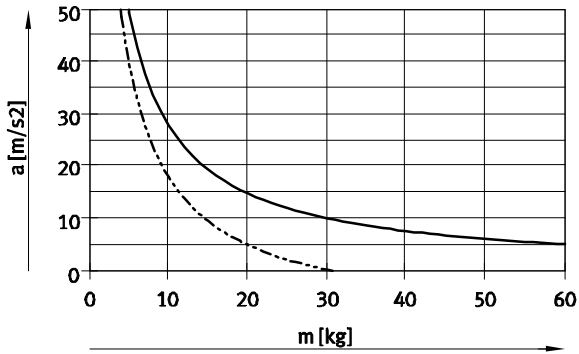
Size		70	80	120	150
$F_{y_{max}}$	[N]	5520	9200	20240	40480
$F_{z_{max}}$	[N]	6808	11224	25355	40480
$M_{x_{max}}$	[Nm]	59	132	383	615
$M_{y_{max}}$	[Nm]	486	839	2502	4232
$M_{z_{max}}$	[Nm]	486	839	2502	4232

Toothed belt axes ELGA-TB-KF, with recirculating ball bearing guide

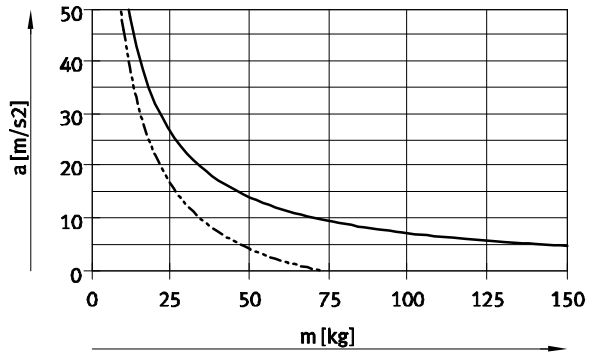
Technical data

Max. acceleration a as a function of payload m

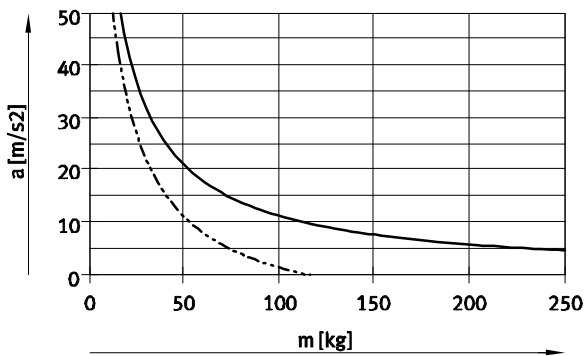
Size 70



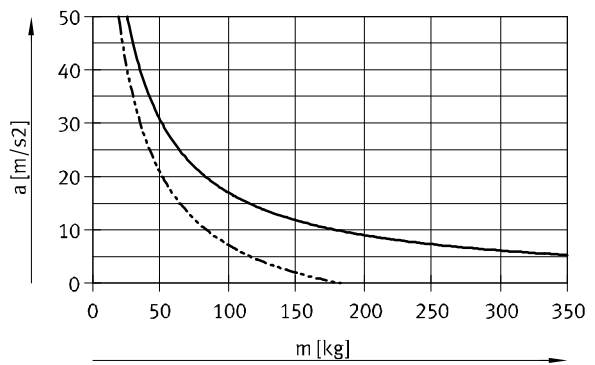
Size 80



Size 120

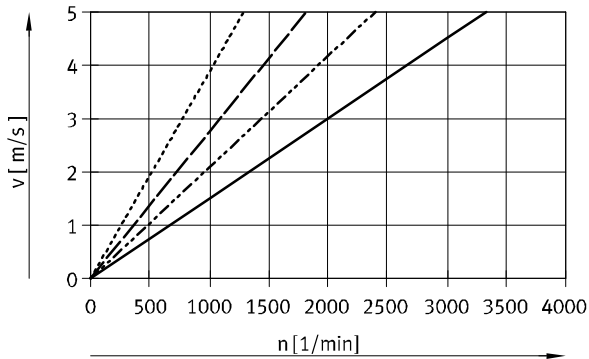


Size 150



— Horizontal
- - - Vertical

Speed v as a function of rotational speed n



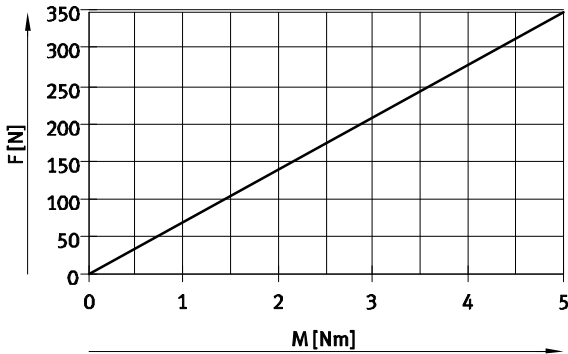
— ELGA-TB-KF-70
- - - ELGA-TB-KF-80
- · - ELGA-TB-KF-120
· · · ELGA-TB-KF-150

Toothed belt axes ELGA-TB-KF, with recirculating ball bearing guide

Technical data

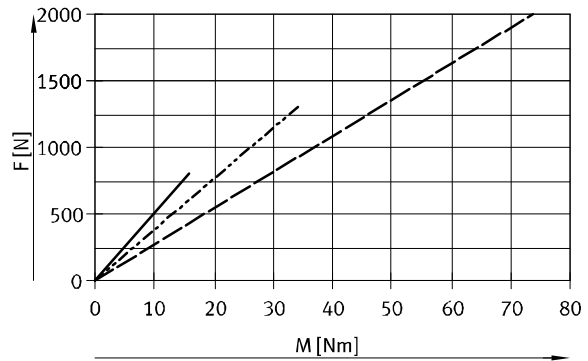
Theoretical feed force F as a function of input torque M

Size 70



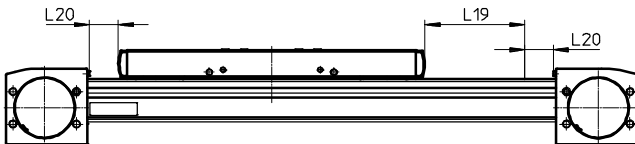
ELGA-TB-KF-70

Size 80/120/150



ELGA-TB-KF-80
ELGA-TB-KF-120
ELGA-TB-KF-150

Stroke reserve



L19 = Nominal stroke
L20 = Stroke reserve

- The stroke reserve is a safety distance which is generally not used as work space
- The sum of the nominal stroke and 2x stroke reserve must not exceed the maximum working stroke
- The stroke reserve length can be freely selected
- The stroke reserve is defined via the "stroke reserve" characteristic in the modular product system.

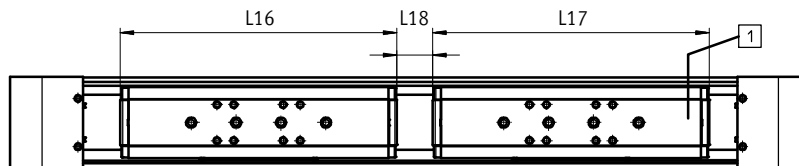
Example:

Type ELGA-TB-KF-70-500-20H-...
Nominal stroke = 500 mm
2x stroke reserve = 40 mm
Working stroke = 540 mm
(540 mm = 500 mm + 2x 20 mm)

Working stroke reduction

With axis ELGA with additional slide ZL/ZR

With a toothed belt axis with additional slide, the working stroke is reduced by the length of the additional slide and the distance between both slides



L16 = Slide length
L17 = Additional slide length
L18 = Distance between both slides
1 Additional slide

Example:

Type ELGA-TB-KF-70-500-...-ZR
Working stroke without additional slide = 500 mm
L18 = 50 mm
L16, L17 = 221 mm
Working stroke with additional slide = 229 mm
(500 mm - 50 mm - 221 mm)

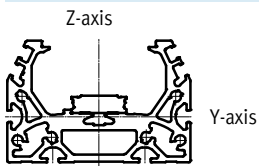
Dimensions – Additional slide

Size	70	80	120	150
Length L17 [mm]	221	246	335	378.4
Min. distance between the slides L18 [mm]	≥ 50	≥ 50	≥ 50	≥ 50

Toothed belt axes ELGA-TB-KF, with recirculating ball bearing guide

Technical data

Second moment of area

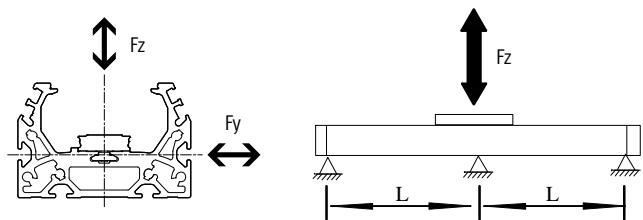


Size		70	80	120	150
I_y	[mm ⁴]	1.46×10^5	2.57×10^5	1.26×10^6	4.62×10^6
I_z	[mm ⁴]	4.59×10^5	9.14×10^5	4.37×10^6	12.32×10^6

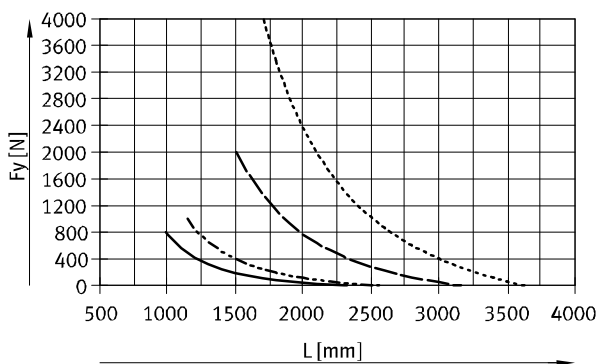
Maximum permissible support span L (without profile mounting MUE/central support EAHF) as a function of force F

In order to limit deflection in the case of large strokes, the axis may need to be supported.

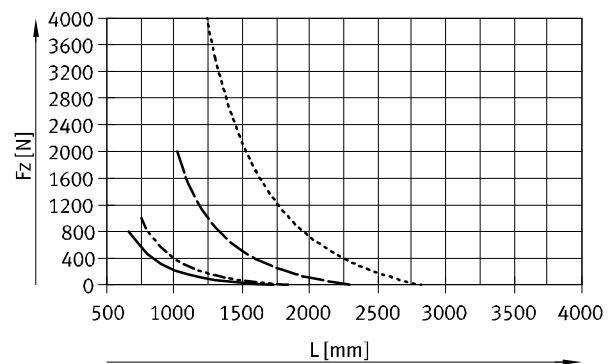
The following graphs can be used to determine the maximum permissible support span l as a function of force F acting on the axis. The deflection is $f = 0.5$ mm.



Force Fy



Force Fz



- ELGA-TB-KF-70
- - - ELGA-TB-KF-80
- ELGA-TB-KF-120
- - - ELGA-TB-KF-150

Recommended deflection limits

Adherence to the following deflection limits is recommended so as not to impair the functional performance of the axes. Greater deformation can result in increased friction, greater wear and reduced service life.

Size	Dyn. deflection (moving load)	Stat. deflection (stationary load)
70 ... 150	0.05% of the axis length, max. 0.5 mm	0.1% of the axis length

Toothed belt axes ELGA-TB-KF, with recirculating ball bearing guide

Technical data

Central lubrication

The lubrication connections enable the guide and the ball screw of the spindle axis ELGA-BS-KF to be permanently lubricated in applications in humid or wet ambient conditions using semi- or fully automatic relubrication devices.

- The connection options are already available in the standard design of the axes
- There is a dedicated lubrication connection for the spindle nut and the two ball cassettes

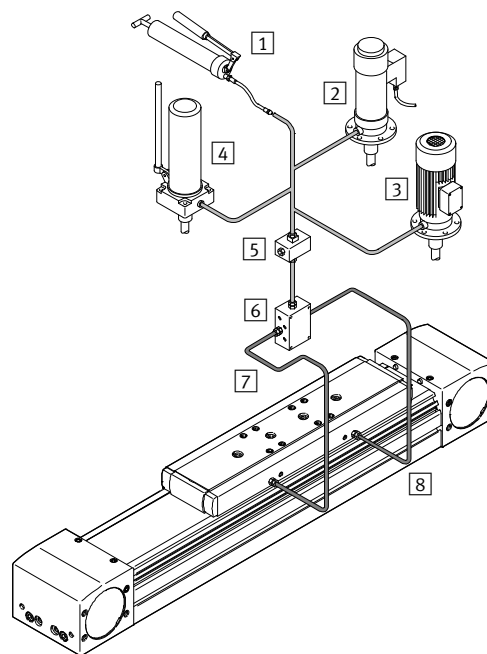
Slide dimensions
→ page 24

Structure of a central lubrication system

A central lubrication system requires various additional components. The illustration shows different options (using a hand pump, pneumatic container pump or electric container pump) required as a minimum for designing a central lubrication system. Festo does not sell these additional components; however, they can be obtained from the following companies:

- Lincoln
- Bielomatik
- SKF (Vogel)

Festo recommends these companies because they can supply all the necessary components.



- 1 Hand pump
- 2 Pneumatic container pump
- 3 Electric container pump
- 4 Manually operated container pump
- 5 Nipple block
- 6 Distributor block
- 7 Tubing or piping
- 8 Fittings

Toothed belt axes ELGA-TB-KF, with recirculating ball bearing guide

Technical data

Dimensions Download CAD data → www.festo.com

View A (→ page 24)

+ = plus stroke length + 2x stroke reserve

1 Sealing air connections

Size	B1	B2	B4	B5	D1 ∅ H7	D2 ∅ H7	D3 ∅	D4 ∅	D5 ∅ H7	D6	D7
70	69	48.2	30	45	38	16	34	25	–	M5	M6
80	82	63.2	20	60	48	16	45	25	9	M5	M6
120	120	95	80	40	80	23	72	45	–	M8	M8
150	154	125	115	80	95	32	90	60	–	M8	M8

Size	D8 ∅ H7	D9	H1	H2	H4	H5	H6	H7	H8	L1	L2 Min.
70	5	M6	64	26.5	50.8	13	13	24	12	346	173
80	5	M6	76.5	30	61.5	17.5	12	26	13	386	193
120	9	M8	111.5	45	91	22	22	59	32	546	273
150	9	M8	141.5	58.6	121	26.5	26.5	80	40	712	356

Size	L3	L4	L5	L6	T1	T2	T4	T6	T7	T8	T9	T10
70	57.5	42	27.5	2.3	2.1	18	7.2	–	10	12	3.1	12
80	65	51	31	2.3	2.1	29.5	4	2.1	10.1	12	2	12
120	100	76	50	2.5	3.1	29.5	4	–	16	16	2.1	16
150	140	80	70	2.5	2.8	32	4	–	18	17	2.1	17

Toothed belt axes ELGA-TB-KF, with recirculating ball bearing guide

Technical data

Dimensions Download CAD data → www.festo.com

Profile

Width 70

Size 80

Size 120

Size 150

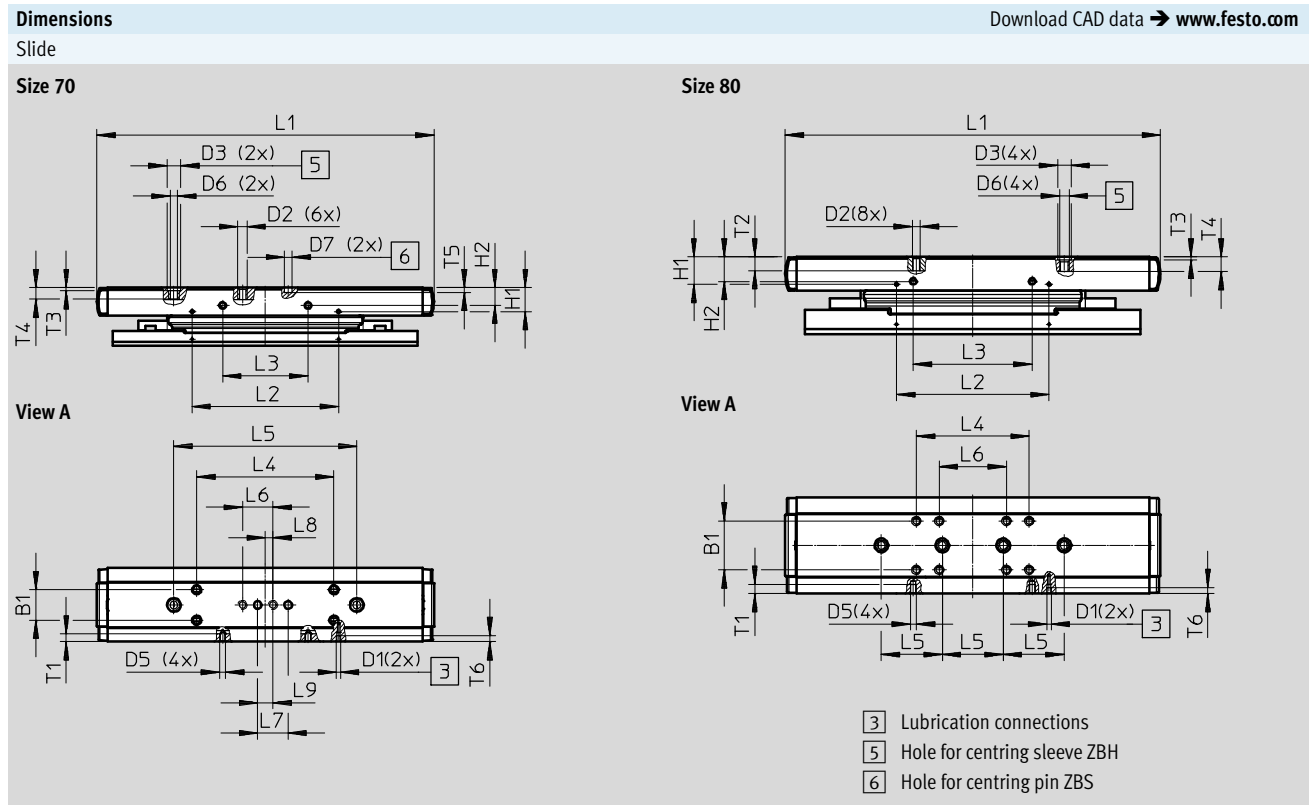
1 Sensor slot for proximity sensor
 2 Mounting slot for slot nut:
 for size 70, 80: slot nut NST-5-M5
 for size 120, 150: slot nut NST-8-M6

- - Note
 Requirements for the flatness of the bearing surface and of attachments as well as for use in parallel structures
 → www.festo.com/sp User documentation

Size	B10	B11	H10
70	67	40	20
80	80	40	20
120	116	40	20
150	150	80	20

Toothed belt axes ELGA-TB-KF, with recirculating ball bearing guide

Technical data



Size	B1	D1	D2	D3 ∅ H7	D5	D6	D7 ∅ H7	H1	H2	L1	L2	L3
	±0.1							±0.1	±0.1		±0.1	±0.1
70	20	M6	M5	9	M4	M6	5	14.2	11.7	221	96	56
80	32	M6	M5	9	M4	M6	-	16.6	16	246	101.4	78

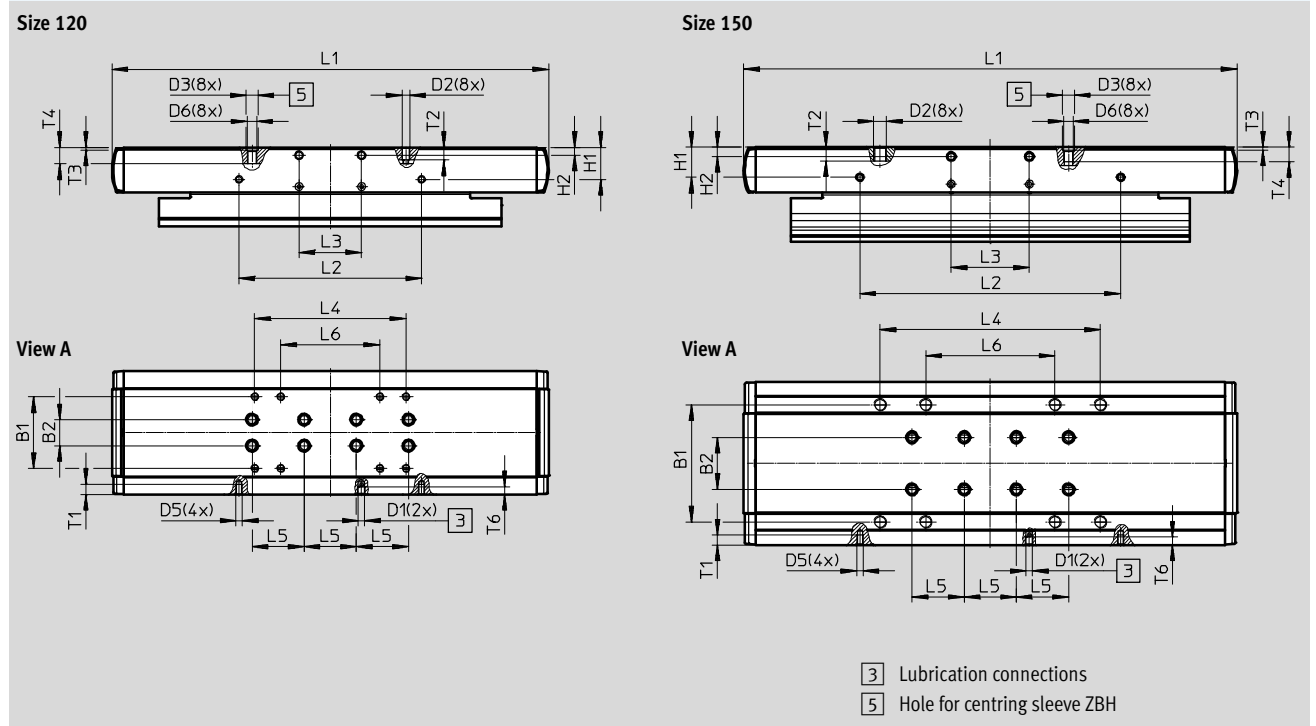
Size	L4	L5	L6	L7	L8	L9	T1	T2	T3	T4	T5	T6	
	±0.1	±0.03	±0.1	±0.03		±0.1			+0.1		±0.1	Min.	Max.
70	90	120	20	20	5	10	5.1	-	2.1	7.5	3.1	4.2	4.6-0.1
80	74	40	44	-	-	-	6	9	2.1	9.7-0.2	-	5.6	5.9-0.1

Toothed belt axes ELGA-TB-KF, with recirculating ball bearing guide

Technical data

Dimensions Download CAD data → www.festo.com

Slide



Size	B1	B2	D1	D2	D3	D5	D6	H1	H2	L1
	±0.1	±0.03			∅ H7			±0.1		
120	55	20	M6	M5	9	M5	M6	24.5	6	335
150	90	40	M6	M8	9	M5	M6	23	7±0.1	378.4

Size	L2	L3	L4	L5	L6	T1	T2	T3	T4	T6
	±0.1	±0.1	±0.1	±0.03	±0.1			+0.1		
120	140	48	116	40	76	8	9.7	2.1	12.6 _{-0.3}	6
150	200	60	169	40	99	7.5	10.7	2.1	11	7

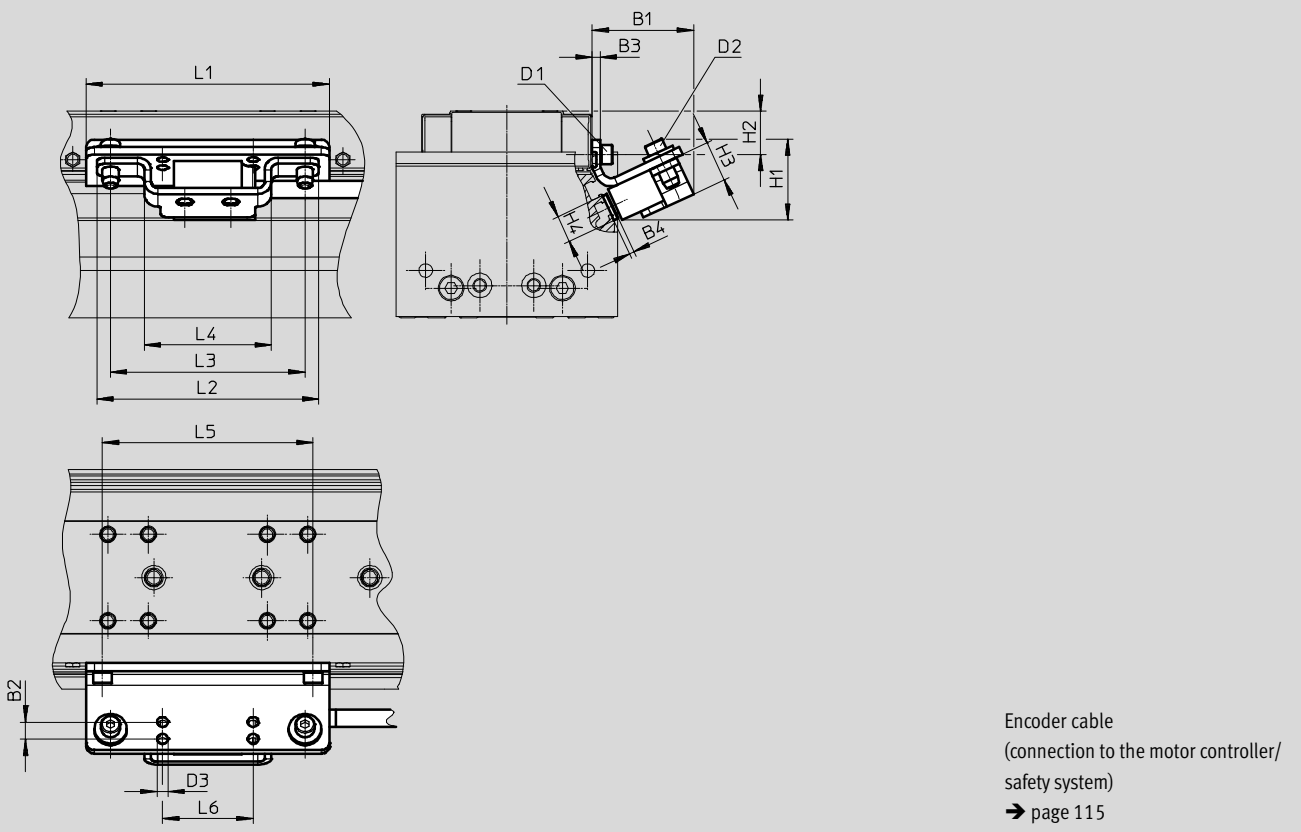
Toothed belt axes ELGA-TB-KF, with recirculating ball bearing guide

Technical data

Dimensions

Download CAD data → www.festo.com

ELGA-...-M1/M2 – With incremental displacement encoder



Size	B1	B2	B3	B4	D1	D2	D3 Ø	H1	H2
70	40	7	3	1.8	M4x8	M4x14	4	35	11.7
80	40	7	3	1.8	M4x14	M4x14	4	35	16
120	41	7	3	1.8	M4x14	M4x14	4	35	24.5
150	42	7	3	1.8	M5x10	M4x14	4	35	23

Size	H3	H4	L1	L2	L3	L4	L5	L6
70	15	10	86	82	72	47	56	33.5
80	15	10	90	82	72	47	78	33.5
120	15	10	170	82	72	47	140	33.5
150	15	10	220	82	72	47	200	33.5

Toothed belt axes ELGA-TB-KF, with recirculating ball bearing guide

Technical data

★ Core product range

Ordering data

Features:

- Stroke reserve: 0 mm
- Standard slide

Size	Stroke [mm]	Part No.	Type
70	300	★ 8041851	ELGA-TB-KF-70-300-0H
	400	★ 8041852	ELGA-TB-KF-70-400-0H
	500	★ 8041853	ELGA-TB-KF-70-500-0H
	600	★ 8041854	ELGA-TB-KF-70-600-0H
	800	★ 8041855	ELGA-TB-KF-70-800-0H
	1000	★ 8041856	ELGA-TB-KF-70-1000-0H
	1200	★ 8041857	ELGA-TB-KF-70-1200-0H
80	400	★ 8041858	ELGA-TB-KF-80-400-0H
	500	★ 8041859	ELGA-TB-KF-80-500-0H
	600	★ 8041860	ELGA-TB-KF-80-600-0H
	800	★ 8041861	ELGA-TB-KF-80-800-0H
	1000	★ 8041862	ELGA-TB-KF-80-1000-0H
	1200	★ 8041863	ELGA-TB-KF-80-1200-0H
120	400	★ 8041864	ELGA-TB-KF-120-400-0H
	500	★ 8041865	ELGA-TB-KF-120-500-0H
	600	★ 8041866	ELGA-TB-KF-120-600-0H
	800	★ 8041867	ELGA-TB-KF-120-800-0H
	1000	★ 8041868	ELGA-TB-KF-120-1000-0H
	1200	★ 8041869	ELGA-TB-KF-120-1200-0H
	1500	★ 8041870	ELGA-TB-KF-120-1500-0H

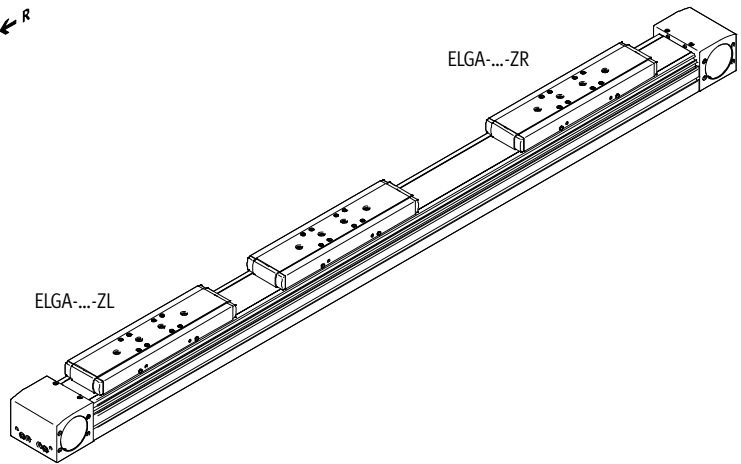
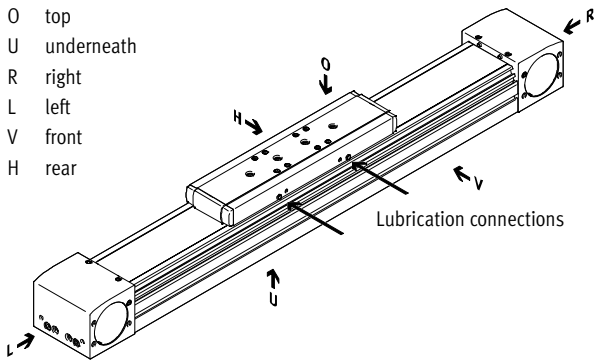
Toothed belt axes ELGA-TB-KF, with recirculating ball bearing guide

Ordering data – Modular product system

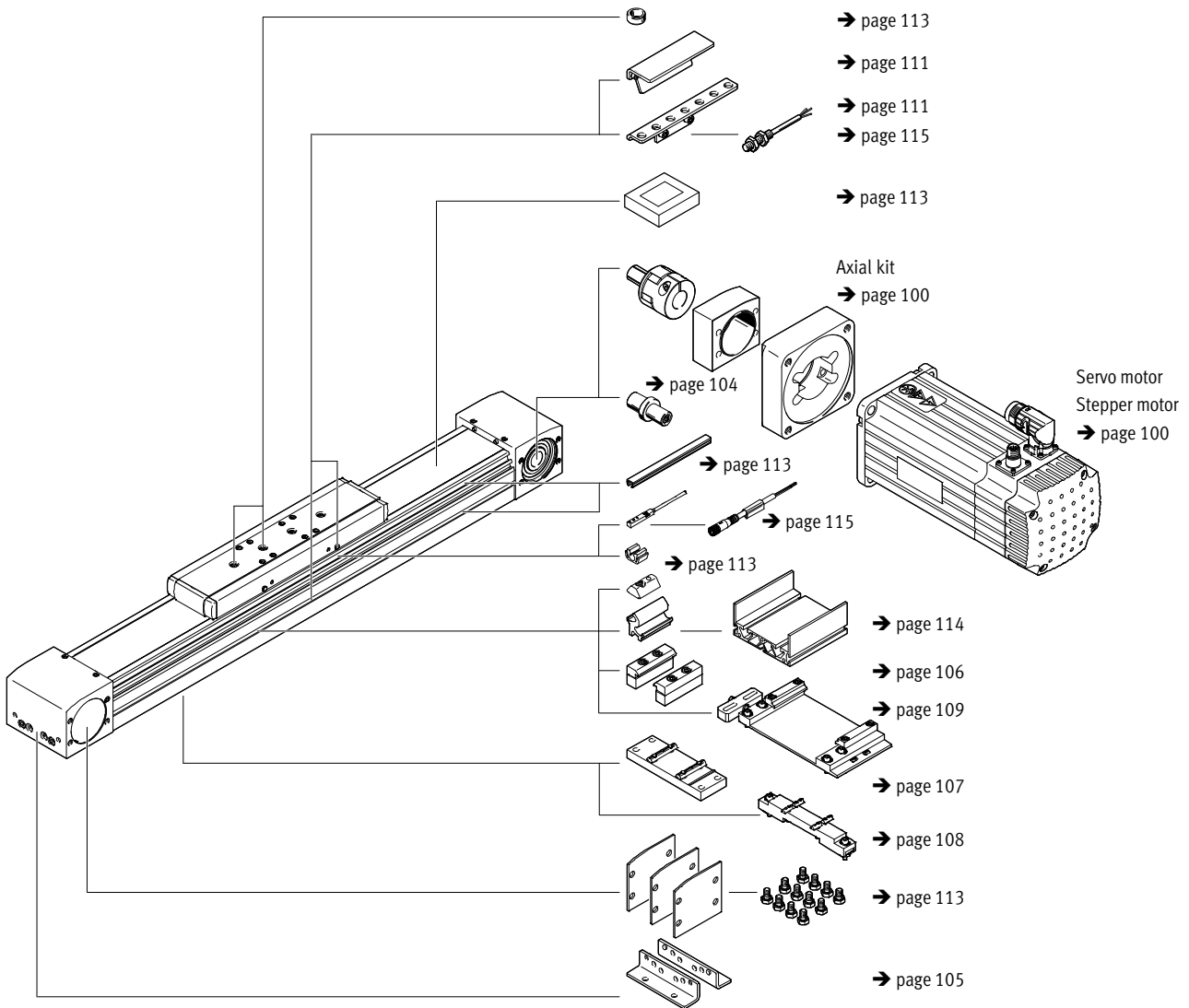


Orientation guide

- O top
- U underneath
- R right
- L left
- V front
- H rear



Accessories



Toothed belt axes ELGA-TB-KF, with recirculating ball bearing guide

Ordering data – Modular products

Ordering table							
Size	70	80	120	150	Condi- tions	Code	Entry code
M Module no.	8024914	8024915	8024916	8024917			
Design	Linear axis					ELGA	ELGA
Function	Toothed belt					★ -TB	-TB
Guide	Recirculating ball bearing guide					★ -KF	-KF
Size [mm]	70	80	120	150		★ -...	
Stroke length [mm]	1 ... 5000	1 ... 8500	1 ... 8500	1 ... 7000		★ -...	
Stroke reserve [mm]	0 ... 999 (0 = no stroke reserve)				1	★ -...H	
O Additional slide	None					★	
	1 slide on left					★ -ZL	
	1 slide on right					★ -ZR	
Displacement encoder, incremental	None					★	
	Resolution 2.5 µm					-M1	
	Resolution 10 µm					-M2	
Displacement encoder attachment position	None					★	
	Rear				2	B	
	Front				2	F	
Operating instructions	With operating instructions					★	
	Without operating instructions					★ -DN	

1 ... **H** The sum of the nominal stroke and 2x stroke reserve must be at least 50 mm and must not exceed the maximum stroke length

2 **B, F** Only with displacement encoder M1, M2

M Mandatory data

O Options

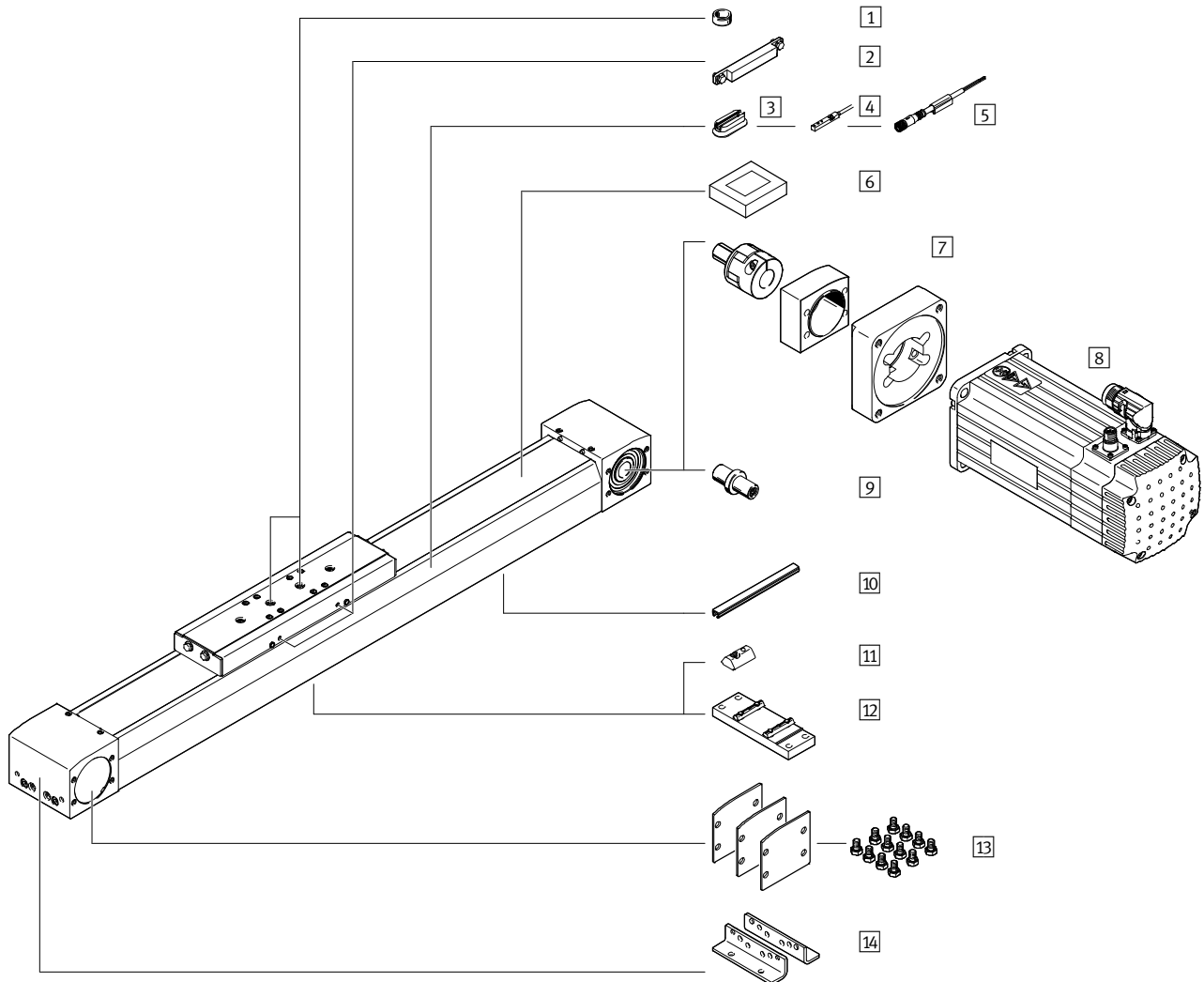
Transfer order code

Festo core product range

- ★ Ready for dispatch from the Festo factory in 24 hours
- ☆ Ready for dispatch in 5 days maximum from stock

Toothed belt axes ELGA-TB-KF-F1, with recirculating ball bearing guide

Peripherals overview – For the food zone



Toothed belt axes ELGA-TB-KF-F1, with recirculating ball bearing guide

Peripherals overview – For the food zone

Accessories			
	Type/order code	Description	→ Page/Internet
1	Centring pin/sleeve ZBS, ZBH	<ul style="list-style-type: none"> For centring loads and attachments on the slide 2 centring pins/sleeves included in the scope of delivery of the axis 	113
2	Switch lug EAPM	For sensing the slide position	112
3	Mounting kit CRSMB	For mounting the inductive proximity sensors (round design) on the axis	112
4	Proximity sensor, T-slot SME-8M	For sensing the slide position	115
5	Connecting cable NEBU	For proximity sensor	115
6	Clamping component EADT	Tool for retensioning the cover strip	113
7	Axial kit EAMM	For axial motor mounting (comprises: coupling, coupling housing and motor flange)	100
8	Motor EMME, EMMS	Motors specially matched to the axis, with or without gear unit, with or without brake	100
9	Drive shaft EAMB	<ul style="list-style-type: none"> Can, if required, be used as an alternative interface No drive shaft is required for the axis/motor combinations → page 100 	104
10	Slot cover ABP	For protection against contamination	113
11	Slot nut NST	For mounting attachments	113
12	Central support EAHF-L5	For mounting the axis from underneath on the profile	107
13	Cover kit EASC-L5	For covering the sides of the drive cover	113
14	Foot mounting HPE	<ul style="list-style-type: none"> For mounting the axis on the end cap With higher forces and torques, the axis should be mounted using the profile 	105

Toothed belt axes ELGA-TB-KF-F1, with recirculating ball bearing guide

Type codes – For the food zone

		ELGA	-	TB	-	KF	-	70	-	800	-	20H	-	
Type														
ELGA	Toothed belt axis													
Drive function														
TB	Toothed belt													
Guide														
KF	Recirculating ball bearing guide													
Size														
Stroke [mm]														
Stroke reserve														
Additional slide														
-	None													
ZL	1 slide on left													
ZR	1 slide on right													

Toothed belt axes ELGA-TB-KF-F1, with recirculating ball bearing guide

Type codes – For the food zone

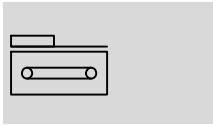
→	-	F1	-	PU1	-	
Additional features						
F1		Suitable for use in the food industry as per extended information on materials				
Toothed belt material						
PU1		Uncoated PU				
Operating instructions						
-		With operating instructions				
DN		Without operating instructions				




Toothed belt axes ELGA-TB-KF-F1, with recirculating ball bearing guide

FESTO

Technical data – For the food zone

Function



-  - Size
70 ... 120
-  - Stroke length
50 ... 8500 mm
-  - www.festo.com



General technical data				
Size		70	80	120
Design		Electromechanical axis with toothed belt		
Guide		Recirculating ball bearing guide		
Mounting position		Any		
Working stroke	[mm]	50 ... 5000	50 ... 8500	50 ... 8500
Max. feed force F_x	[N]	260	600	1000
Max. no-load torque ¹⁾	[Nm]	0.8	1.5	4.5
Max. no-load resistance to shifting ¹⁾	[N]	55.8	75.4	122
Max. driving torque	[Nm]	3.72	11.9	26.2
Max. speed	[m/s]	5		
Max. acceleration	[m/s ²]	50		
Repetition accuracy	[mm]	±0.08		

1) At 0.2 m/s

Operating and environmental conditions		
Ambient temperature ¹⁾	[°C]	-10 ... +60
Degree of protection		IP40
Duty cycle	[%]	100
Food-safe ²⁾		➔ Further information on materials

1) Note operating range of proximity sensors.

2) Additional information www.festo.com/sp ➔ Certificates.

Weight [kg]				
Size		70	80	120
Basic weight with 0 mm stroke ¹⁾		3.01	4.70	15.68
Additional weight per 1000 mm stroke		4.00	5.13	10.64
Moving mass				
ELGA-...		0.9	1.9	4.19
ELGA-...ZL/ZR		0.74	1.53	3.24

1) Incl. slide

Toothed belt axes ELGA-TB-KF-F1, with recirculating ball bearing guide

Technical data – For the food zone

Toothed belt				
Size		70	80	120
Pitch	[mm]	3	5	5
Expansion ¹⁾	[%]	0.096	0.09	0.094
Effective diameter	[mm]	28.65	39.79	52.52
Feed constant	[mm/rev]	90	125	165

1) At max. feed force

Mass moment of inertia				
Size		70	80	120
J_0	[kg mm ²]	245	976	4065
J_H per metre stroke	[kg mm ² /m]	24.4	76.8	176.5
J_L per kg payload	[kg mm ² /kg]	205	396	690
J_W for additional slide	[kg mm ²]	186	761	2891

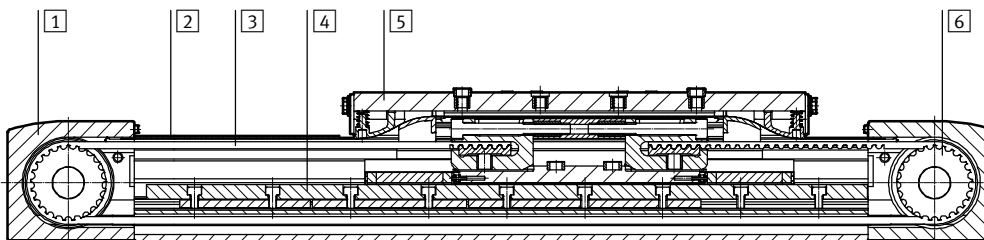
The mass moment of inertia J_A of the entire axis is calculated as follows:

$$J_A = J_0 + K \times J_W + J_H \times \text{working stroke [m]} + J_L \times m_{\text{payload [kg]}}$$

$K =$ Number of additional slides

Materials

Sectional view



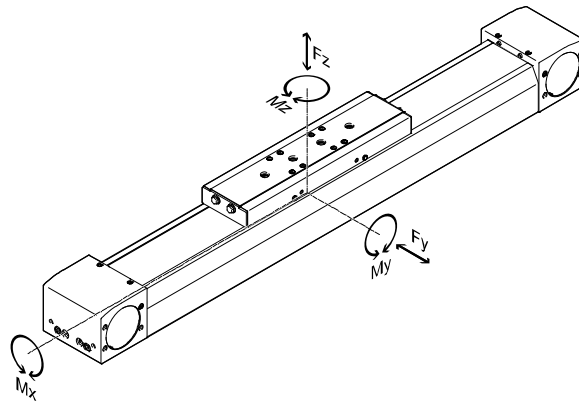
Axis				
Size		70	80	120
1	Drive cover	Anodised wrought aluminium alloy		
2	Cover strip	Stainless steel		
3	Toothed belt	Polyurethane with steel cord		
4	Guide rail	Stainless steel		Tempered steel
5	Slide	Anodised wrought aluminium alloy		
6	Belt pulley	High-alloy stainless steel		
	Note on materials	RoHS-compliant		
		Contains paint-wetting impairment substances		

Toothed belt axes ELGA-TB-KF-F1, with recirculating ball bearing guide

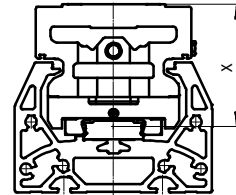
Technical data – For the food zone

Characteristic load values

The indicated forces and torques refer to the centre of the guide. The point of application of force is the point where the centre of the guide and the longitudinal centre of the slide intersect. These values must not be exceeded during dynamic operation. Special attention must be paid to the cushioning phase.



Distance from the slide surface to the centre of the guide



Distance from the slide surface to the centre of the guide			
Size		70	80
Dimension x	[mm]	37	50

Max. permissible forces and torques for a service life of 5000 km			
Size		70	80
F _{y,max.}	[N]	1500	2500
F _{z,max.}	[N]	1850	3050
M _{x,max.}	[Nm]	16	36
M _{y,max.}	[Nm]	132	228
M _{z,max.}	[Nm]	132	228

- - Note

For a guide system to have a service life of 5000 km, the load comparison factor must have a value of $f_v < 1$, based on the maximum permissible forces and torques for a service life of 5000 km.

If the axis is subjected to two or more of the indicated forces and torques simultaneously, the following equation must be satisfied in addition to the indicated maximum loads:

Calculating the load comparison factor:

$$f_v = \frac{|F_{y,dyn}|}{F_{y,max}} + \frac{|F_{z,dyn}|}{F_{z,max}} + \frac{|M_{x,dyn}|}{M_{x,max}} + \frac{|M_{y,dyn}|}{M_{y,max}} + \frac{|M_{z,dyn}|}{M_{z,max}}$$

Toothed belt axes ELGA-TB-KF-F1, with recirculating ball bearing guide

Technical data – For the food zone

Calculating the service life

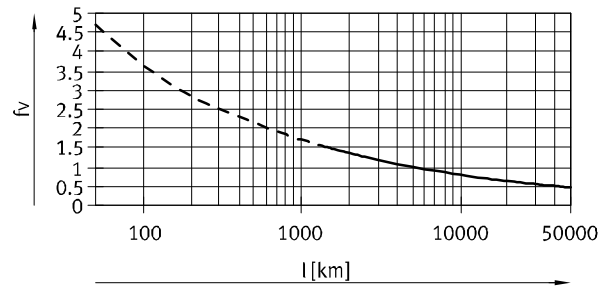
The service life of the guide depends on the load. To provide a rough indication of the service life of the guide, the graph below plots the load comparison factor f_v against the service life.

These values are only theoretical. You must consult your local contact person at Festo for load comparison factors f_v greater than 1.5.

Load comparison factor f_v as a function of service life

Example:

A user wants to move an X kg load. Using the formula → page 36 gives a value of 1.5 for the load comparison factor f_v . According to the graph, the guide would have a service life of approx. 1500 km. Reducing the acceleration reduces the M_z and M_y values. A load comparison factor f_v of 1 now gives a service life of 5000 km.



Note

PositioningDrives
engineering software
www.festo.com

The software can be used to calculate a guide workload for a service life of 5000 km.

$f_v > 1.5$ are only theoretical comparison values for the recirculating ball bearing guide.

Comparison of the characteristic load values for 5000 km with dynamic forces and torques of recirculating ball bearing guides

The characteristic load values of roller guides are standardised to ISO and JIS using dynamic and static forces and torques. These forces and torques are based on an expected guiding system service life of 100 km to ISO or 50 km to JIS. As the characteristic load values are dependent on the service life, the maximum permissible forces and torques for a 5000 km service life cannot be compared with the dynamic forces and torques of roller guides to ISO/JIS.

To make it easier to compare the guide capacity of linear axes ELGA with roller guides, the table below lists the theoretically permissible forces and torques for a calculated service life of 100 km. This corresponds to the dynamic forces and torques to ISO.

These 100 km values have been calculated mathematically and are only to be used for comparing with dynamic forces and torques to ISO. The drives must not be loaded with these characteristic values as this could damage the axes.

Max. permissible forces and torques for a theoretical service life of 100 km (from a guide perspective only)

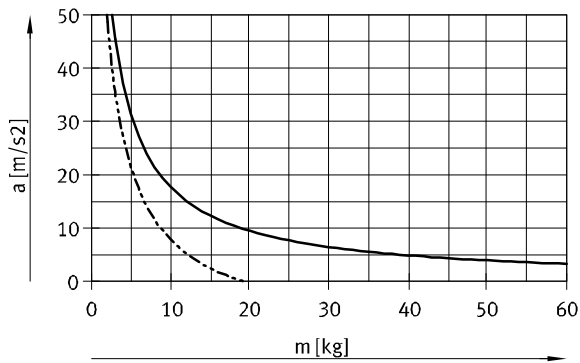
Size		70	80	120
$F_{y_{max}}$	[N]	5520	9200	20240
$F_{z_{max}}$	[N]	6808	11224	25355
$M_{x_{max}}$	[Nm]	59	132	383
$M_{y_{max}}$	[Nm]	486	839	2502
$M_{z_{max}}$	[Nm]	486	839	2502

Toothed belt axes ELGA-TB-KF-F1, with recirculating ball bearing guide

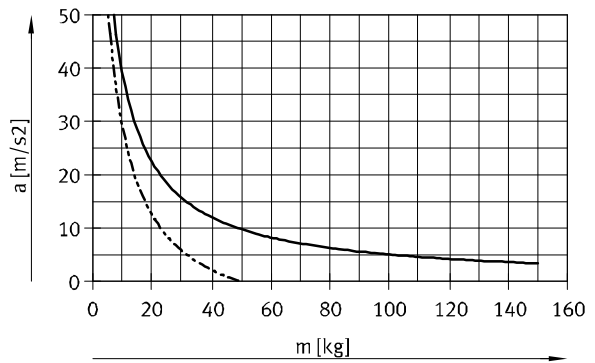
Technical data – For the food zone

Max. acceleration a as a function of payload m

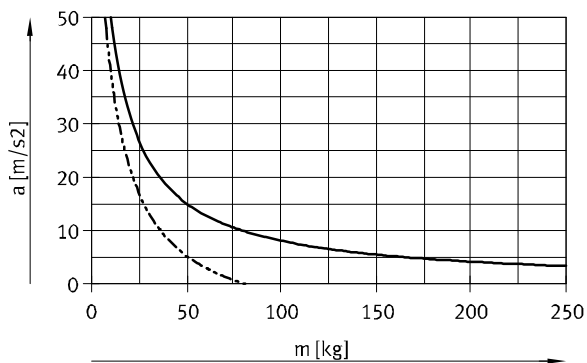
Size 70



Size 80

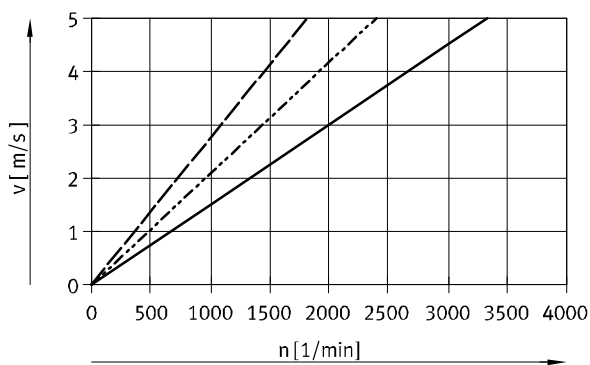


Size 120



— Horizontal
- - - Vertical

Speed v as a function of rotational speed n



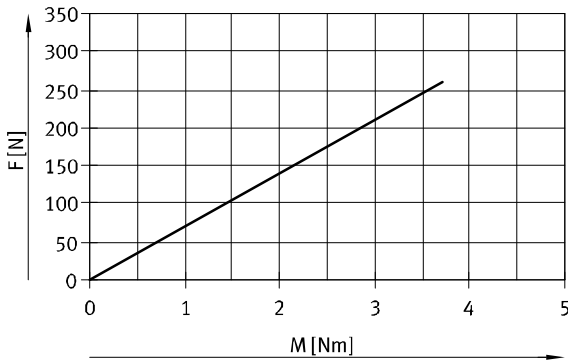
— ELGA-TB-KF-70
- - - ELGA-TB-KF-80
- · - ELGA-TB-KF-120

Toothed belt axes ELGA-TB-KF-F1, with recirculating ball bearing guide

Technical data – For the food zone

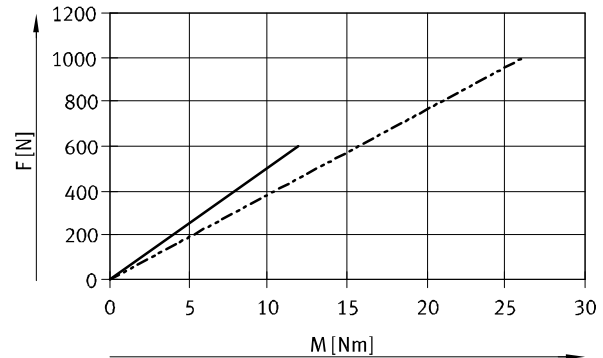
Theoretical feed force F as a function of input torque M

Size 70



ELGA-TB-KF-70

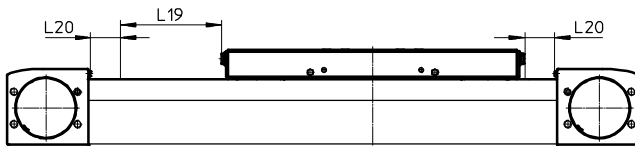
Size 80/120



ELGA-TB-KF-80

ELGA-TB-KF-120

Stroke reserve



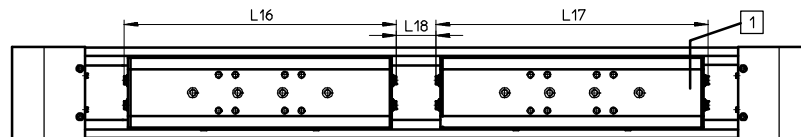
L19 = Nominal stroke
L20 = Stroke reserve

- The stroke reserve is a safety distance which is generally not used as work space
 - The sum of the nominal stroke and 2x stroke reserve must not exceed the maximum working stroke
 - The stroke reserve length can be freely selected
 - The stroke reserve is defined via the "stroke reserve" characteristic in the modular product system.
- Example:**
Type ELGA-TB-KF-70-500-20H-...
Nominal stroke = 500 mm
2x stroke reserve = 40 mm
Working stroke = 540 mm
(540 mm = 500 mm + 2x 20 mm)

Working stroke reduction

With axis ELGA with additional slide ZL/ZR

With a toothed belt axis with additional slide, the working stroke is reduced by the length of the additional slide and the distance between both slides



L16 = Slide length
L17 = Additional slide length
L18 = Distance between both slides
1 Additional slide

Example:
Type ELGA-TB-KF-70-500-...-ZR
Working stroke without additional slide = 500 mm
L18 = 50 mm
L16, L17 = 221 mm
Working stroke with additional slide = 229 mm
(500 mm - 50 mm - 221 mm)

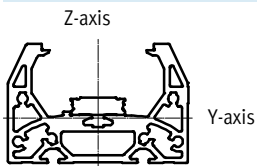
Dimensions – Additional slide

Size	70	80	120
Length L17 [mm]	221	246	335
Min. distance between the slides L18 [mm]	≥ 50	≥ 50	≥ 50

Toothed belt axes ELGA-TB-KF-F1, with recirculating ball bearing guide

Technical data – For the food zone

Second moment of area

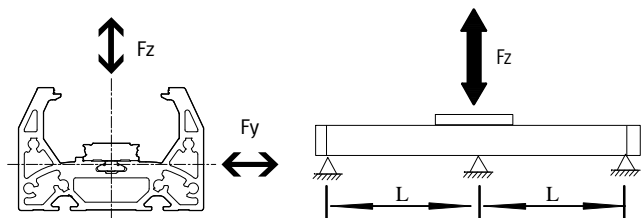


Size		70	80	120
I_y	[mm ⁴]	1.69×10^5	2.95×10^5	1.35×10^6
I_z	[mm ⁴]	4.84×10^5	9.78×10^5	4.50×10^6

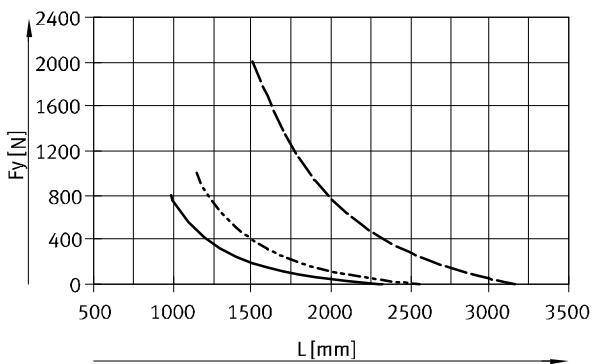
Maximum permissible support span L (without profile mounting MUE/central support EAHF) as a function of force F

In order to limit deflection in the case of large strokes, the axis may need to be supported.

The following graphs can be used to determine the maximum permissible support span l as a function of force F acting on the axis. The deflection is $f = 0.5$ mm.

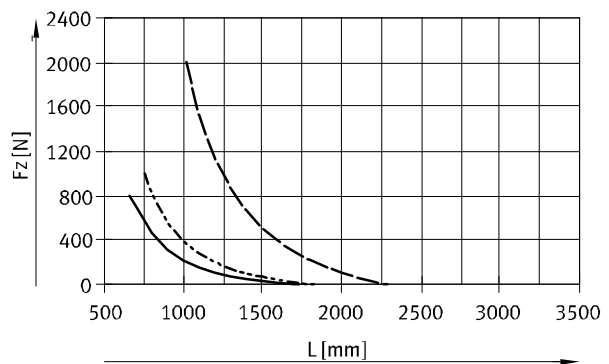


Force F_y



- ELGA-TB-KF-70
- - - ELGA-TB-KF-80
- ELGA-TB-KF-120

Force F_z



Recommended deflection limits

Adherence to the following deflection limits is recommended so as not to impair the functional performance of the axes. Greater deformation can result in increased friction, greater wear and reduced service life.

Size	Dyn. deflection (moving load)	Stat. deflection (stationary load)
70 ... 120	0.05% of the axis length, max. 0.5 mm	0.1% of the axis length

Toothed belt axes ELGA-TB-KF-F1, with recirculating ball bearing guide

Technical data – For the food zone

Central lubrication

The lubrication connections enable the guide and the ball screw of the spindle axis ELGA-BS-KF to be permanently lubricated in applications in humid or wet ambient conditions using semi- or fully automatic relubrication devices.

- The connection options are already available in the standard design of the axes
- There is a dedicated lubrication connection for the spindle nut and the two ball cassettes

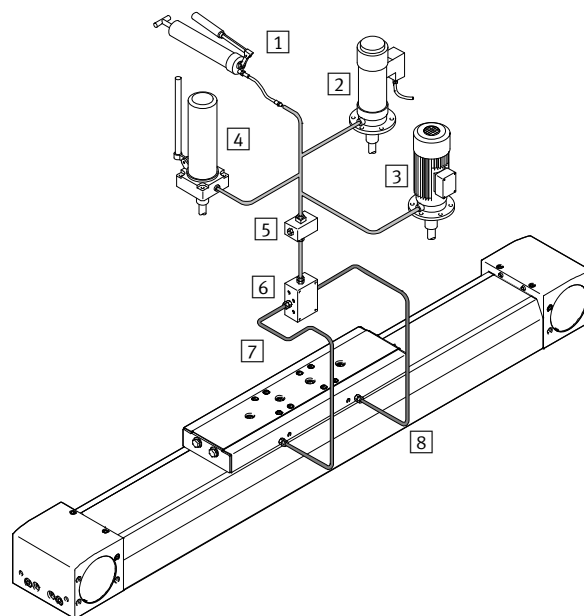
Slide dimensions
→ page 44

Structure of a central lubrication system

A central lubrication system requires various additional components. The illustration shows different options (using a hand pump, pneumatic container pump or electric container pump) required as a minimum for designing a central lubrication system. Festo does not sell these additional components; however, they can be obtained from the following companies:

- Lincoln
- Bielomatik
- SKF (Vogel)

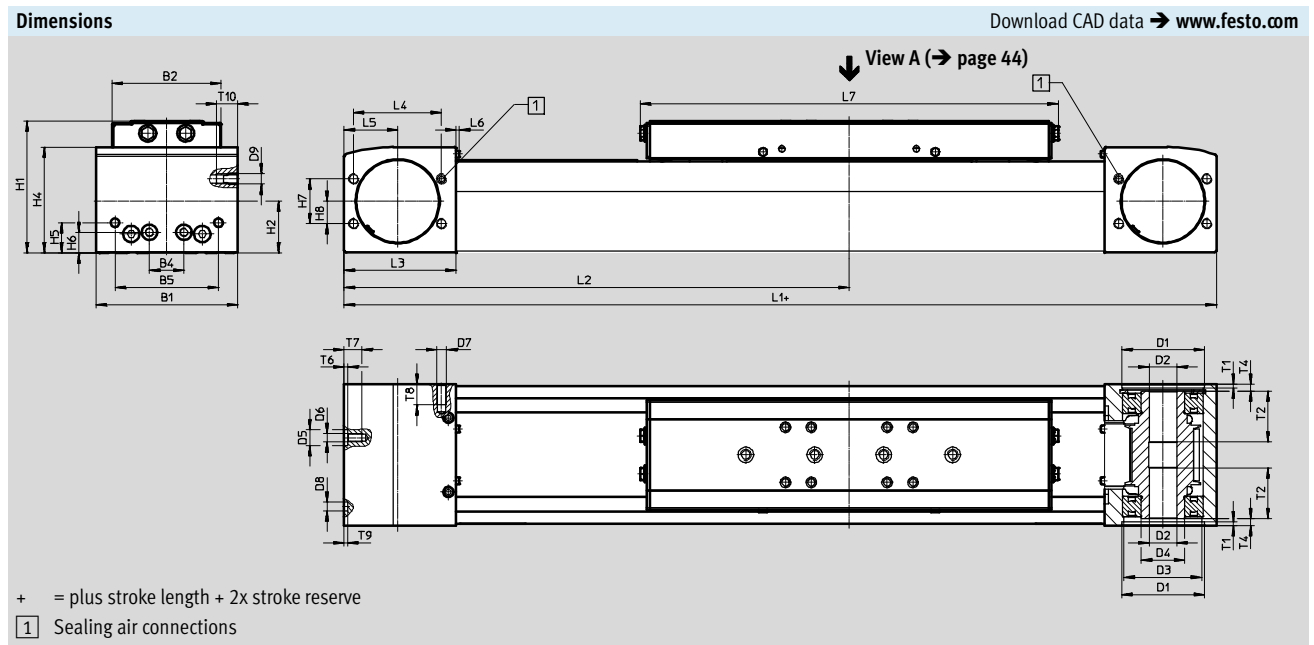
Festo recommends these companies because they can supply all the necessary components.



- 1 Hand pump
- 2 Pneumatic container pump
- 3 Electric container pump
- 4 Manually operated container pump
- 5 Nipple block
- 6 Distributor block
- 7 Tubing or piping
- 8 Fittings

Toothed belt axes ELGA-TB-KF-F1, with recirculating ball bearing guide

Technical data – For the food zone



Size	B1	B2	B4	B5	D1 ∅ H7	D2 ∅ H7	D3 ∅	D4 ∅	D5 ∅ H7	D6	D7	D8 ∅ H7
70	69	48.2	30	45	38	16	34	25	–	M5	M6	5
80	82	63.2	20	60	48	16	45	25	9	M5	M6	5
120	120	95	80	40	80	23	72	45	–	M8	M8	9

Size	D9	H1	H2	H4	H5	H6	H7	H8	L1	L2 Min.	L3	L4
70	M6	64	26.5	50.8	13	13	24	12	346	178	57.5	42
80	M6	76.5	30	61.5	17.5	12	26	13	386	193	65	51
120	M8	111.5	45	91	22	22	59	32	546	273	100	76

Size	L5	L6	L7	T1	T2	T4	T6	T7	T8	T9	T10
70	27.5	2.3	218	2.1	18	7.2	–	10	12	3.1	12
80	31	2.3	243	2.1	29.5	4	2.1	10.1	12	2	12
120	50	2.5	332	3.1	29.5	4	–	16	16	2.1	25

- - Note

The roller carriages of the standard design of the variant ELGA-TB-KF-F1 will be greased. This will be done in accordance with the guidelines Doc.23 from EHEDG.

As part of this process, the standard grease except for small residual quantities will be replaced with a grease with NSF H1 approval.

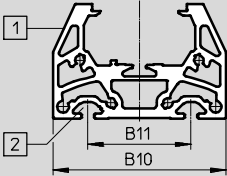
Toothed belt axes ELGA-TB-KF-F1, with recirculating ball bearing guide

Technical data – For the food zone

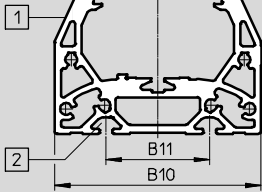
Dimensions Download CAD data → www.festo.com

Profile

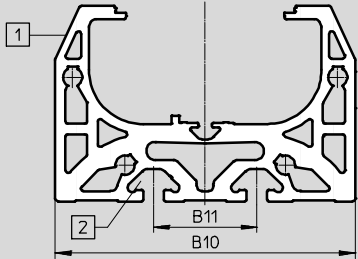
Size 70




Size 80



Size 120



1 Sensor slot for proximity sensor
2 Mounting slot for slot nut:
 for size 70, 80: slot nut NST-5-M5
 for size 120: slot nut NST-8-M6

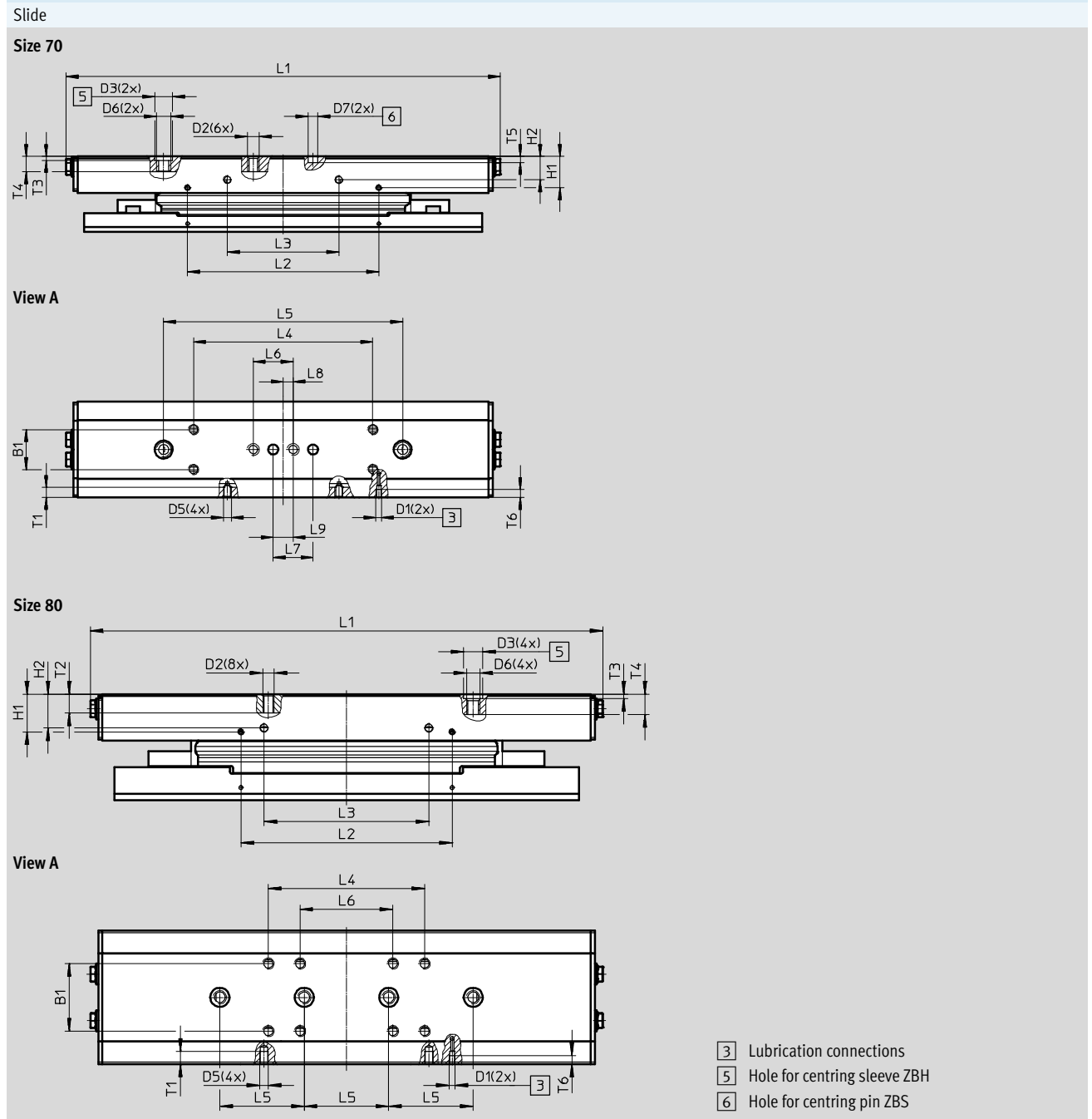
-  - Note
 Requirements for the flatness of the bearing surface and of attachments as well as for use in parallel structures
 → www.festo.com/sp User documentation

Size	B10	B11
70	67	40
80	80	40
120	116	40

Toothed belt axes ELGA-TB-KF-F1, with recirculating ball bearing guide

Technical data – For the food zone

Dimensions Download CAD data → www.festo.com



Size	B1	D1	D2	D3 ∅ H7	D5	D6	D7 ∅ H7	H1	H2	L1	L2	L3
	±0.1							±0.1	±0.1		±0.1	±0.1
70	20	M6	M5	9	M4	M6	5	14.2	11.7	218	96	56
80	32	M6	M5	9	M4	M6	-	16.6	16	243	101.4	78

Size	L4	L5	L6	L7	L8	L9	T1	T2	T3	T4	T5	T6	
	±0.1	±0.03	±0.1	±0.03		±0.1			+0.1		±0.1	Min.	Max.
70	90	120	20	20	5	10	5.1	-	2.1	7.5	3.1	4.2	4.6-0.1
80	74	40	44	-	-	-	6	9	2.1	9.7-0.2	-	5.6	5.9-0.1

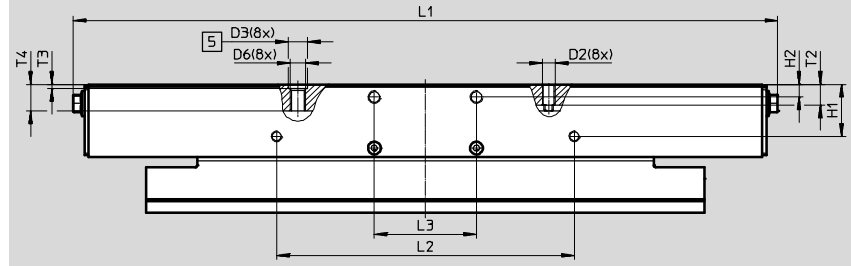
Toothed belt axes ELGA-TB-KF-F1, with recirculating ball bearing guide

Technical data – For the food zone

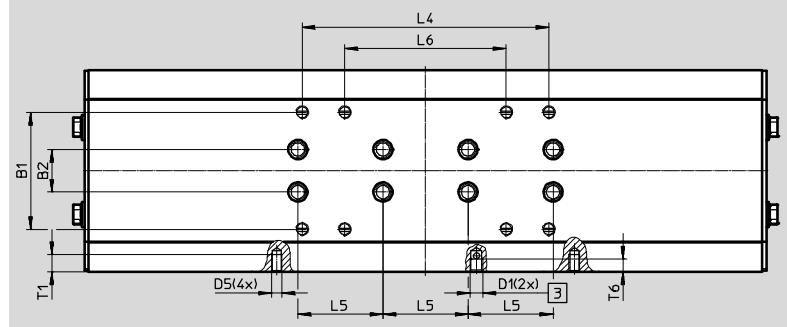
Dimensions Download CAD data → www.festo.com

Slide

Size 120



View A



- 3 Lubrication connections
- 5 Hole for centring sleeve ZBH

Size	B1	B2	D1	D2	D3	D5	D6	H1	H2	L1
	±0.1	±0.03			∅ H7			±0.1		
120	55	20	M6	M5	9	M5	M6	24.5	6	332

Size	L2	L3	L4	L5	L6	T1	T2	T3	T4	T6
	±0.1	±0.1	±0.1	±0.03	±0.1			+0.1	-0.3	
120	140	48	116	40	76	8	9.7	2.1	12.6	6

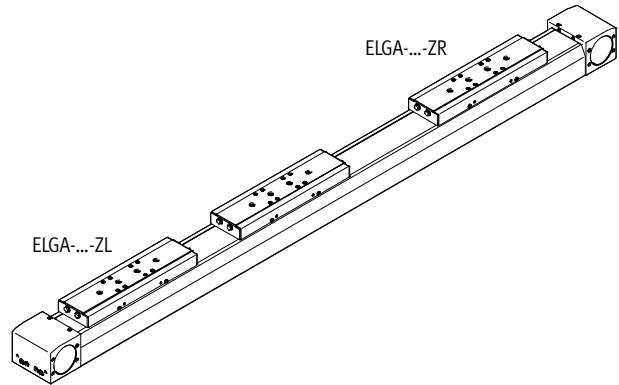
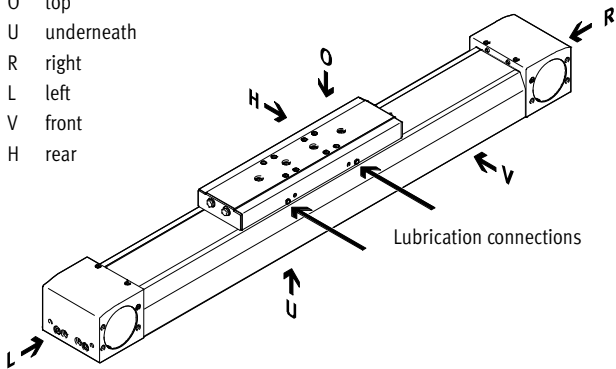
Toothed belt axes ELGA-TB-KF-F1, with recirculating ball bearing guide

Ordering data – Modular product system – For the food zone

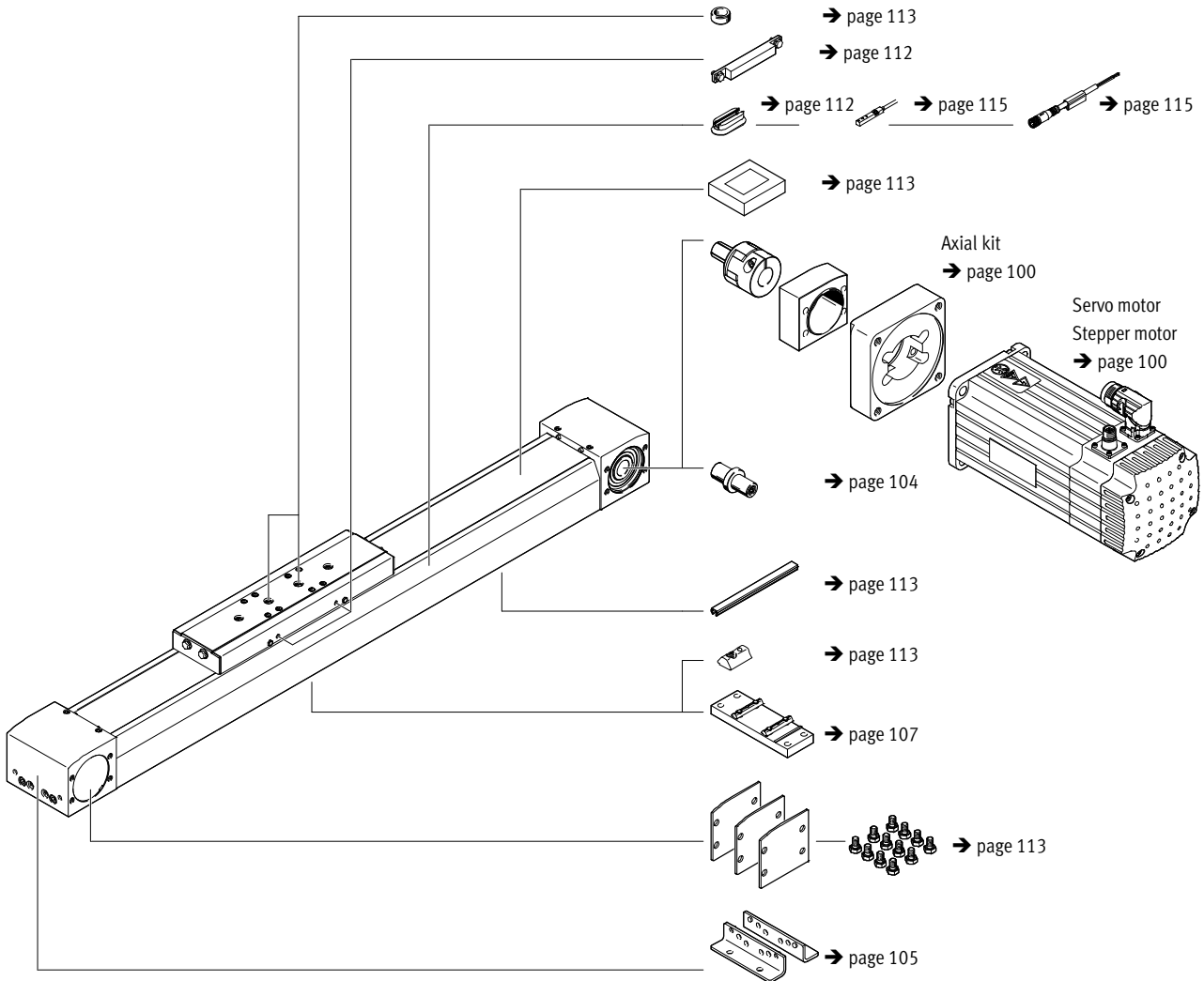


Orientation guide

- O top
- U underneath
- R right
- L left
- V front
- H rear



Accessories



Toothed belt axes ELGA-TB-KF-F1, with recirculating ball bearing guide

Ordering data – Modular products – For the food zone

Ordering table							
Size	70	80	120	Condi- tions	Code		Entry code
M Module no.	8024914	8024915	8024916				
Design	Linear axis				ELGA		ELGA
Function	Toothed belt				-TB		-TB
Guide	Recirculating ball bearing guide				-KF		-KF
Size [mm]	70	80	120		-...		
Stroke length [mm]	1 ... 5000	1 ... 8500	1 ... 8500		-...		
Stroke reserve [mm]	0 ... 999 (0 = no stroke reserve)			1	-...H		
O Additional slide	None						
	1 slide on left				-ZL		
	1 slide on right				-ZR		
Additional features	Suitable for use in the food industry as per extended informa- tion on materials				-F1		-F1
Toothed belt material	Uncoated PU				-PU1		-PU1
Operating instructions	With operating instructions						
	Without operating instructions				-DN		

1 ... **H** The sum of the nominal stroke and 2x stroke reserve must be at least 50 mm and must not exceed the maximum stroke length

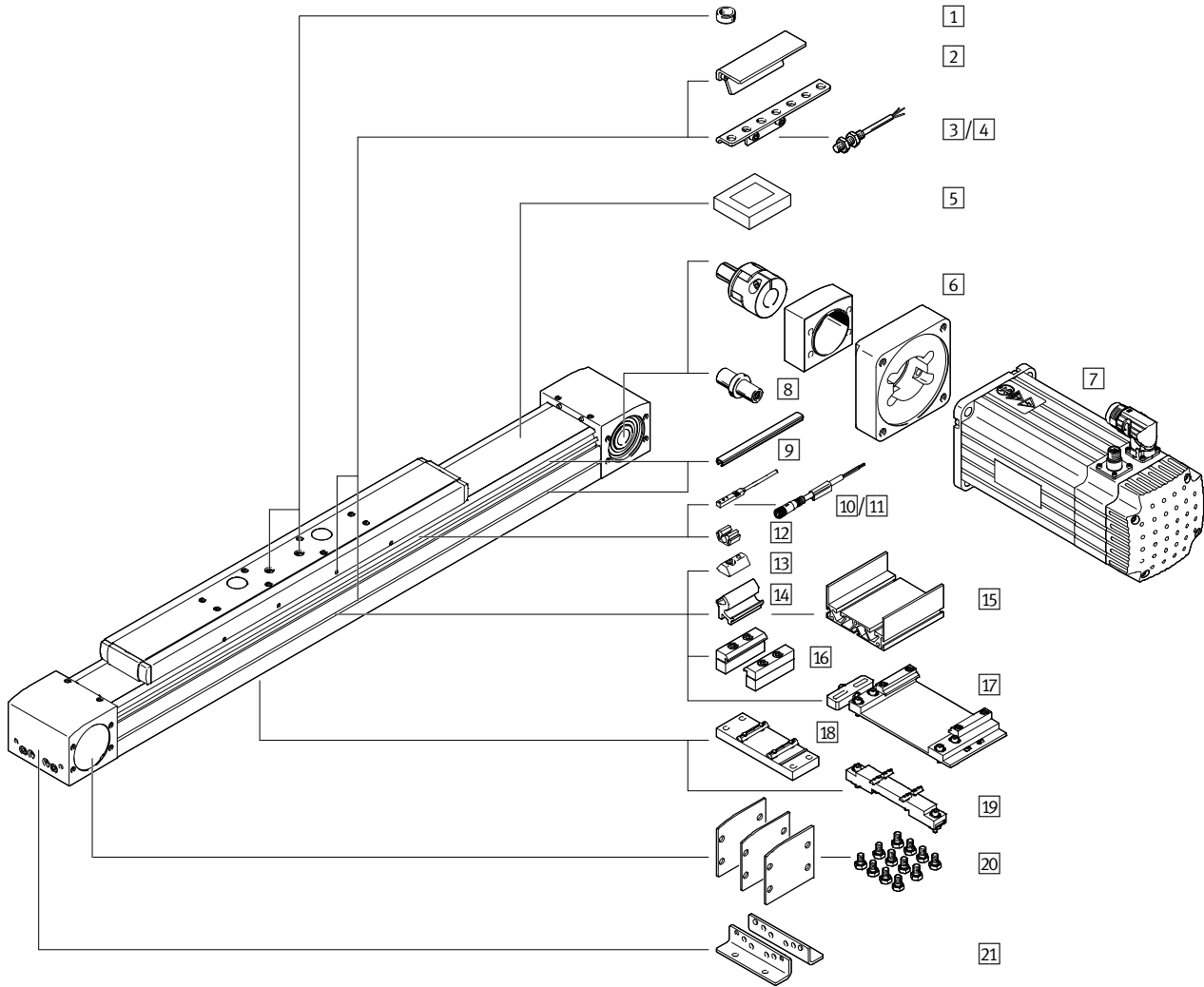
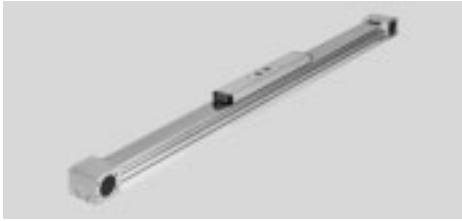
M Mandatory data

O Options

Transfer order code

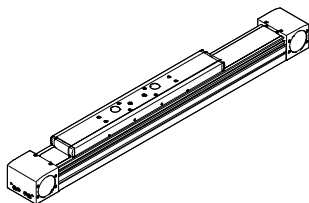
Toothed belt axes ELGA-TB-RF, with roller bearing guide

Peripherals overview

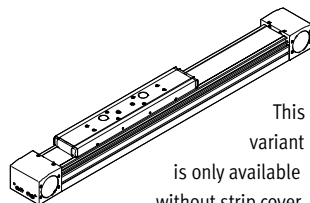


Slide variants

ELGA-...
Standard slide

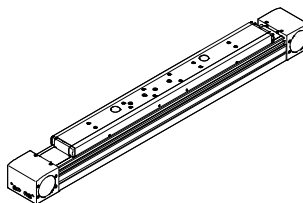


ELGA-...-S
Short slide



This variant is only available without strip cover.

ELGA-...-L
Long slide



Toothed belt axes ELGA-TB-RF, with roller bearing guide

Peripherals overview

Accessories			
	Type/order code	Description	→ Page/Internet
1	Centring pin/sleeve ZBS, ZBH	<ul style="list-style-type: none"> For centring loads and attachments on the slide 2 centring pins/sleeves included in the scope of delivery of the axis 	113
2	Switch lug SA, SB, SC, SD, SE, SF	For sensing the slide position	110
3	Sensor bracket SC, SD, SE, SF	For mounting the inductive proximity sensors (round design) on the axis	111
4	Proximity sensor, M8 SC, SD, SE, SF	<ul style="list-style-type: none"> Inductive proximity sensor, round design The order code SC, SD, SE, SF includes 1 switch lug and max. 2 sensor brackets in the scope of delivery 	115
5	Clamping component EADT	Tool for retensioning the cover strip	113
6	Axial kit EAMM	For axial motor mounting (comprises: coupling, coupling housing and motor flange)	100
7	Motor EMME, EMMS	Motors specially matched to the axis, with or without gear unit, with or without brake	100
8	Drive shaft EA	<ul style="list-style-type: none"> Can, if required, be used as an alternative interface No drive shaft is required for the axis/motor combinations → page 100 	104
9	Slot cover NS, NC	<ul style="list-style-type: none"> For protection against the ingress of dirt 	113
10	Proximity sensor, T-slot SA, SB	<ul style="list-style-type: none"> Inductive proximity sensor, for T-slot The order code SA, SB includes 1 switch lug in the scope of delivery 	114
11	Connecting cable CA	For proximity sensor (order code SE and SF)	115
12	Clip CM	For mounting the proximity sensor cable in the slot	113
13	Slot nut NM	For mounting attachments	113
14	Adapter kit DHAM	For mounting the support profile on the axis	114
15	Support profile HMIA	For mounting and guiding an energy chain	114
16	Profile mounting MA	For mounting the axis on the side of the profile	106
17	Adjusting kit EADC-E16	Used to mount the axis on a vertical surface. Following mounting, the axis can be aligned horizontally	109
18	Central support EAHF-L5	For mounting the axis from underneath on the profile	107
19	Adjusting kit EADC-E15	It is height-adjustable. Can be used to compensate any unevenness in the bearing surface	108
20	Cover kit EASC-L5	For covering the sides of the drive cover	113
21	Foot mounting MF	<ul style="list-style-type: none"> For mounting the axis on the end cap With higher forces and torques, the axis should be mounted using the profile 	105

Toothed belt axes ELGA-TB-RF, with roller bearing guide

Type codes

		ELGA	-	TB	-	RF	-	70	-	800	-	20H	-		-	
Type																
ELGA	Toothed belt axis															
Drive function																
TB	Toothed belt															
Guidance																
RF	Roller bearing guide															
Size																
Stroke [mm]																
Stroke reserve																
Slide design																
-	Standard slide															
S	Short slide															
L	Long slide															
Protection against particles																
-	Standard															
PO	Without strip cover															

Toothed belt axes ELGA-TB-RF, with roller bearing guide

Type codes

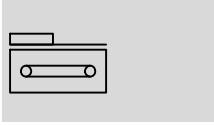
→	+	MF2SA	-	
Accessories enclosed separately				
MF	Foot mounting			
...MA	Profile mounting			
...SA	Proximity sensor (SIES), inductive, slot type 8, PNP, N/O contact, 7.5 m cable			
...SB	Proximity sensor (SIES), inductive, slot type 8, PNP, N/C contact, 7.5 m cable			
...SC	Proximity sensor (SIEN), inductive, M8, PNP, N/O contact, 2.5 m cable			
...SD	Proximity sensor (SIEN), inductive, M8, PNP, N/C contact, 2.5 m cable			
...SE	Proximity sensor (SIEN), inductive, M8, PNP, N/O contact, plug connector M8			
...SF	Proximity sensor (SIEN), inductive, M8, PNP, N/C contact, plug connector M8			
...CA	Connecting cable			
...NS	Sensor slot cover			
...NC	Mounting slot cover			
...NM	Slot nut for mounting slot			
...CM	Cable clip			
...EA	Drive shaft			
Operating instructions				
-	With operating instructions			
DN	Without operating instructions			




Toothed belt axes ELGA-TB-RF, with roller bearing guide

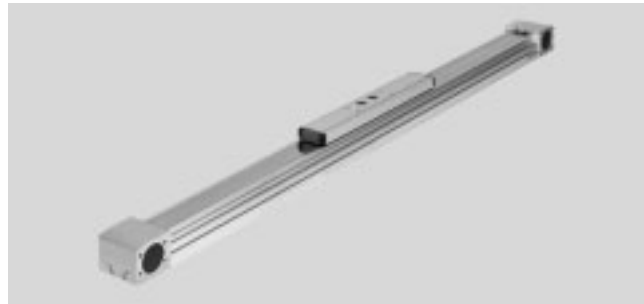
FESTO

Technical data

Function



-  Size
70 ... 120
-  Stroke length
50 ... 7400 mm
-  www.festo.com



General technical data				
Size		70	80	120
Design		Electromechanical axis with toothed belt		
Guidance		Roller bearing guide		
Mounting position		Any		
Working stroke				
ELGA-...	[mm]	50 ... 7000	50 ... 7000	50 ... 7400
ELGA-...-S	[mm]	50 ... 7000	50 ... 7000	50 ... 7400
ELGA-...-L	[mm]	50 ... 6900	50 ... 6900	50 ... 7200
Max. feed force F_x	[N]	350	800	1300
Max. no-load torque ¹⁾	[Nm]	0.66	1.35	3
Max. no-load resistance to shifting ¹⁾	[N]	46	68	114
Max. driving torque	[Nm]	5	15.9	34.1
Max. speed	[m/s]	10		
Max. acceleration	[m/s ²]	50		
Repetition accuracy	[mm]	±0.08		

1) At 0.2 m/s

Operating and environmental conditions		
Ambient temperature ¹⁾	[°C]	-10 ... +60
Degree of protection		
ELGA-...		IP40
ELGA-...-P0		IP00
Duty cycle	[%]	100

1) Note operating range of proximity sensors

Weight [kg]				
Size		70	80	120
Basic weight with 0 mm stroke ¹⁾				
ELGA-...		2.78	6.25	17.39
ELGA-...-S		2.39	5.62	15.82
ELGA-...-L		3.33	7.49	21.44
Additional weight per 1000 mm stroke				
ELGA-...		3.29	5.17	10.81
ELGA-...-P0		3.18	5.06	10.66
Moving load				
ELGA-...		0.80	2.01	5.08
ELGA-...-S		0.70	1.85	4.65
ELGA-...-L		1.03	2.53	6.63

1) Incl. slide

Toothed belt axes ELGA-TB-RF, with roller bearing guide

Technical data

Toothed belt				
Size		70	80	120
Pitch	[mm]	3	5	5
Expansion ¹⁾	[%]	0.21	0.17	0.21
Effective diameter	[mm]	28.65	39.79	52.52
Feed constant	[mm/rev]	90	125	165

1) At max. feed force

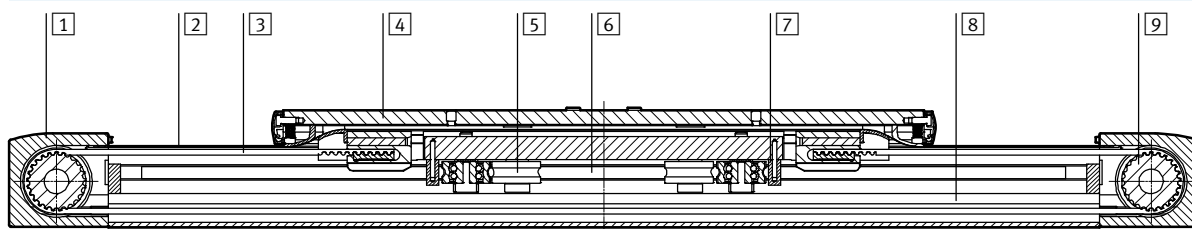
Mass moment of inertia				
Size		70	80	120
J₀				
ELGA-...	[kg mm ²]	232	1044	4935
ELGA-...-S	[kg mm ²]	207	968	4592
ELGA-...-L	[kg mm ²]	278	1247	6006
J _H per metre stroke	[kg mm ² /m]	19	97	221
J _L per kg payload	[kg mm ² /kg]	205	396	690

The mass moment of inertia J_A of the entire axis is calculated as follows:

$$J_A = J_0 + J_H \times \text{working stroke [m]} + J_L \times m_{\text{payload [kg]}}$$

Materials

Sectional view



Axis		
1	Drive cover	Anodised wrought aluminium alloy
2	Cover strip	Stainless steel
3	Toothed belt	Polychloroprene with glass cord and nylon coating
4	Slides	Anodised wrought aluminium alloy
5	Guide roller	Hardened rolled steel
6	Guide rod	Hard-chromium plated tempered steel, hardened
7	Wiper ring	Oil-impregnated felt
8	Profile	Anodised wrought aluminium alloy
9	Toothed belt pulley	High-alloy stainless steel
Note on materials		RoHS-compliant
		Contains paint-wetting impairment substances

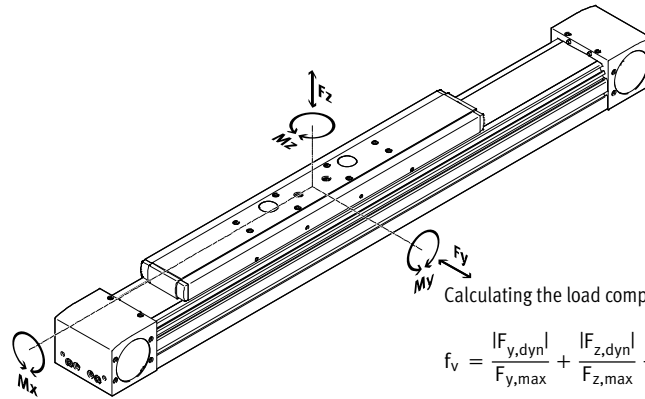
Toothed belt axes ELGA-TB-RF, with roller bearing guide

Technical data



Characteristic load values

The indicated forces and torques refer to the slide surface. The point of application of force is the point where the centre of the guide and the longitudinal centre of the slide intersect. These values must not be exceeded during dynamic operation. Special attention must be paid to the cushioning phase.



If the axis is subjected to two or more of the indicated forces and torques simultaneously, the following equation must be satisfied in addition to the indicated maximum loads:

Calculating the load comparison factor:

$$f_v = \frac{|F_{y,dyn}|}{F_{y,max}} + \frac{|F_{z,dyn}|}{F_{z,max}} + \frac{|M_{x,dyn}|}{M_{x,max}} + \frac{|M_{y,dyn}|}{M_{y,max}} + \frac{|M_{z,dyn}|}{M_{z,max}} \leq 1$$

Max. permissible forces and torques for a service life of 10000 km				
Size		70	80	120
F _{y,max.}	[N]	500	800	2000
F _{z,max.}	[N]	500	800	2000
M _{x,max.}	[Nm]	11	30	100
M _{y,max.}				
ELGA-...	[Nm]	20	90	320
ELGA-...-S	[Nm]	20	90	320
ELGA-...-L	[Nm]	40	180	640
M _{z,max.}				
ELGA-...	[Nm]	20	90	320
ELGA-...-S	[Nm]	20	90	320
ELGA-...-L	[Nm]	40	180	640

Calculating the service life

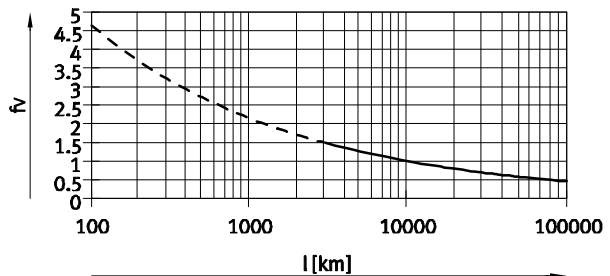
The service life of the guide depends on the load. To provide a rough indication of the service life of the guide, the graph below plots the load comparison factor f_v against the service life.

These values are only theoretical. You must consult your local contact person at Festo for load comparison factors f_v greater than 1.5.

Load comparison factor f_v as a function of service life

Example:

A user wants to move an X kg load. Using the formula → page 54 gives a value of 1.5 for the load comparison factor f_v . According to the graph, the guide would have a service life of approx. 3000 km. Reducing the acceleration reduces the M_z and M_y values. A load comparison factor f_v of 1 now gives a service life of 10000 km.



- Note

PositioningDrives
engineering software
www.festo.com

The software can be used to calculate a guide workload for a service life of 10000 km.

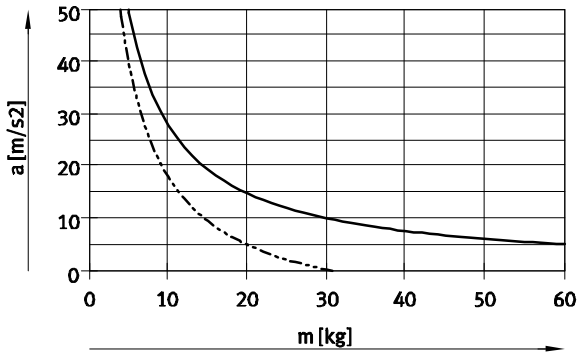
$f_v > 1.5$ are only theoretical comparison values for the roller bearing guide.

Toothed belt axes ELGA-TB-RF, with roller bearing guide

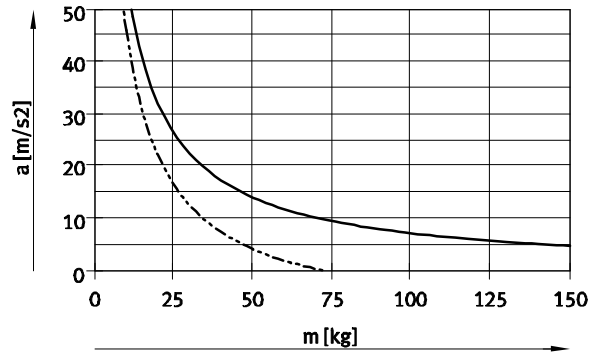
Technical data

Max. acceleration a as a function of payload m

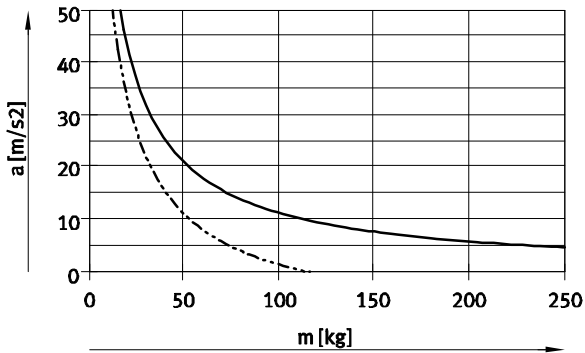
Size 70



Size 80

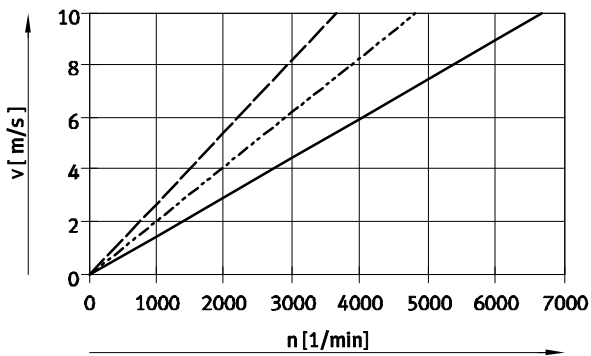


Size 120



— Horizontal
- - - Vertical

Speed v as a function of rotational speed n



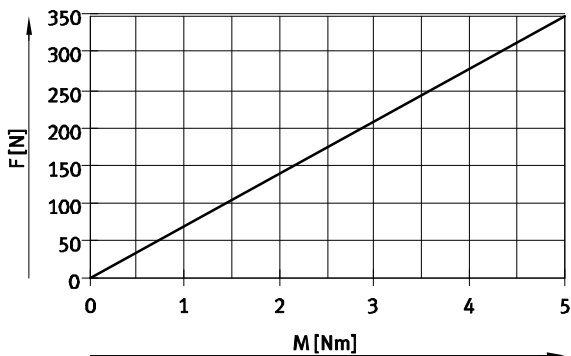
— ELGA-TB-RF-70
- - - ELGA-TB-RF-80
- · - ELGA-TB-RF-120

Toothed belt axes ELGA-TB-RF, with roller bearing guide

Technical data

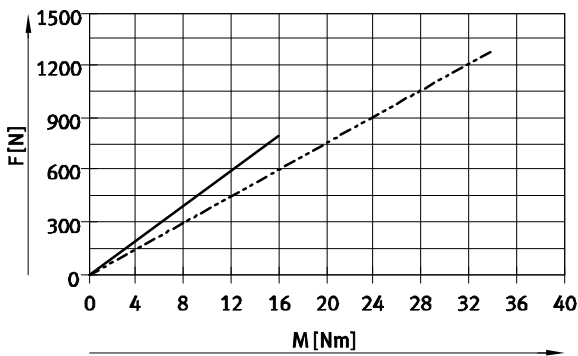
Theoretical feed force F as a function of input torque M

Size 70



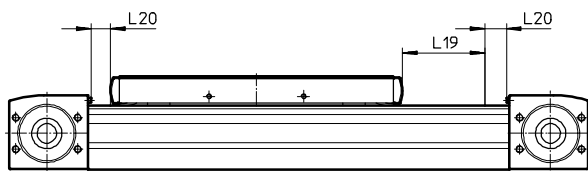
— ELGA-TB-RF-70

Size 80/120



— ELGA-TB-RF-80
 - - - ELGA-TB-RF-120

Stroke reserve



L19 = Nominal stroke
 L20 = Stroke reserve

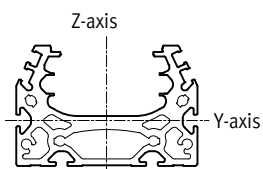
- The stroke reserve is a safety distance which is generally not used as work space
- The sum of the nominal stroke and 2x stroke reserve must not exceed the maximum working stroke

- The stroke reserve length can be freely selected
- The stroke reserve is defined via the "stroke reserve" characteristic in the modular product system.

Example:

Type ELGA-TB-RF-70-500-20H-...
 Nominal stroke = 500 mm
 2x stroke reserve = 40 mm
 Working stroke = 540 mm
 (540 mm = 500 mm + 2x 20 mm)

Second moment of area



Size		70	80	120
ly	[mm ⁴]	1.39x10 ⁵	2.70x10 ⁵	1.42x10 ⁶
lz	[mm ⁴]	4.33x10 ⁵	1.02x10 ⁶	5.02x10 ⁶

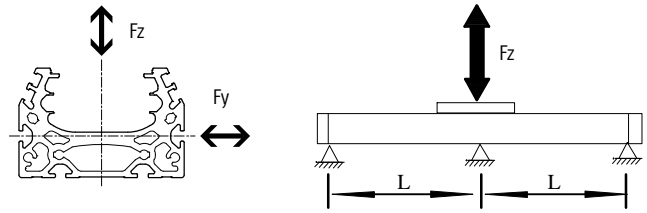
Toothed belt axes ELGA-TB-RF, with roller bearing guide

Technical data

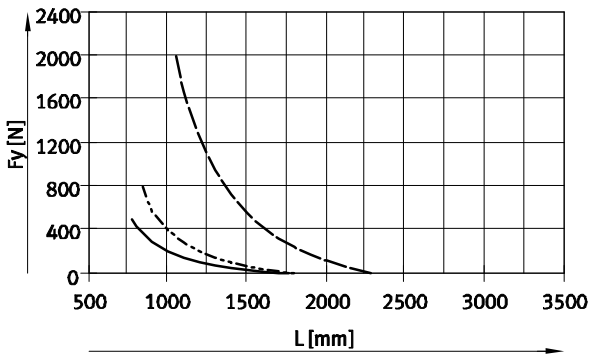
Maximum permissible support span L (without profile mounting MUE/central support EAHF) as a function of force F

In order to limit deflection in the case of large strokes, the axis may need to be supported.

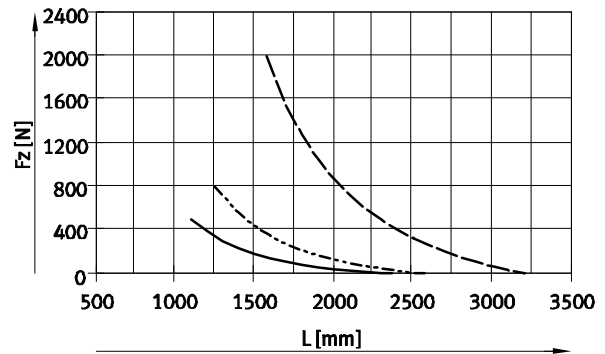
The following graphs can be used to determine the maximum permissible support span l as a function of force F acting on the axis. The deflection is $f = 0.5 \text{ mm}$.



Force Fy



Force Fz



- ELGA-TB-RF-70
- - - ELGA-TB-RF-80
- · - ELGA-TB-RF-120

Recommended deflection limits

Adherence to the following deflection limits is recommended so as not to impair the functional performance of the axes. Greater deformation can result in increased friction, greater wear and reduced service life.

Size	Dyn. deflection (moving load)	Stat. deflection (stationary load)
70 ... 120	0.05% of the axis length, max. 0.5 mm	0.1% of the axis length

Toothed belt axes ELGA-TB-RF, with roller bearing guide

Technical data

Dimensions Download CAD data → www.festo.com

+ = plus stroke length + 2 x stroke reserve
 1 Sealing air connections

Size	B1	B2	B4	B5	D1 ∅ H7	D2 ∅ H7	D3 ∅	D4 ∅	D5 ∅ H7	D6
70	69	48.2	30	45	38	16	34	25	–	M5
80	82	63.2	20	60	48	16	45	25	9	M5
120	120	95	80	40	80	23	72	45	–	M8

Size	D7	D8 ∅ H7	H1	H2	H4	H5	H6	H7	H8	L3
70	M6	5	64	26.5	50.8	13	13	24	12	57.5
80	M6	5	76.5	30	61.5	17.5	12	26	13	65
120	M8	9	111.5	45	91	22	22	59	32	100

Size	L4	L5	L6	T1	T2	T4	T6	T7	T8	T9
70	42	27.5	2.3	2.1	18	7.15	–	10	12	3.1
80	51	31	2.3	2.1	29.5	4	2.1	10.1	12	2
120	76	50	2.5	3.1	29.5	4	–	16	16	2.1

Size	L1			L2		
	ELGA-...	ELGA-...-S	ELGA-...-L	ELGA-... Min.	ELGA-...-S Min.	ELGA-...-L Min.
70	420	342	520	210	171	260
80	580	496	720	290	248	360
120	775	673	1005	387.5	336.5	502.5

Toothed belt axes ELGA-TB-RF, with roller bearing guide

Technical data

Dimensions Download CAD data → www.festo.com

Profile

Size 70

Size 80

Size 120

1 Sensor slot for proximity sensor
 2 Mounting slot for slot nut:
 for size 70, 80: slot nut NST-5-M5
 for size 120: slot nut NST-8-M6

Size	B10	B11	H10
70	67	40	20
80	80	40	20
120	116	40	20

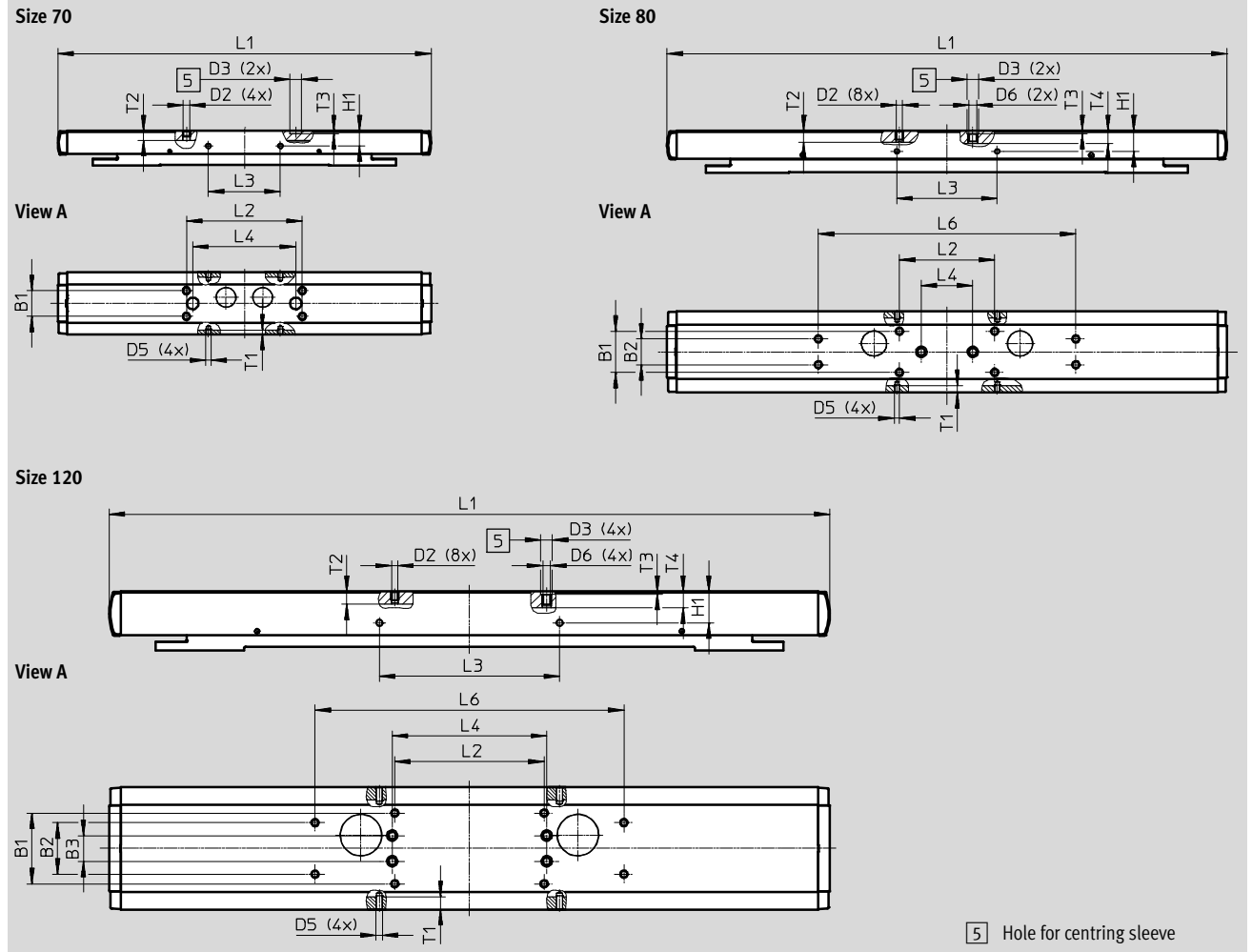
- Note
 Requirements for the flatness of the bearing surface and of attachments as well as for use in parallel structures → www.festo.com/sp
 User Documentation

Toothed belt axes ELGA-TB-RF, with roller bearing guide

Technical data

Dimensions Download CAD data → www.festo.com

ELGA-... – Standard slide



Size	B1	B2	B3	D2	D3	D5	D6	H1
	±0.1	±0.1	±0.1		∅ H7			±0.1
70	20	-	-	M5	9	M4	-	11.7
80	32	20	-	M5	9	M4	M6	16
120	55	40	20	M5	9	M5	M6	24.5

Size	L1	L2	L3	L4	L6	T1	T2	T3	T4
		±0.2	±0.1	±0.03	±0.2				
70	290	90	56	80	-	3.5	7.5	2.1	-
80	435	74	78	40	200	5.1	9	2.1	9.7
120	560	116	140	120	240	10	10	2.1	12.8

Toothed belt axes ELGA-TB-RF, with roller bearing guide

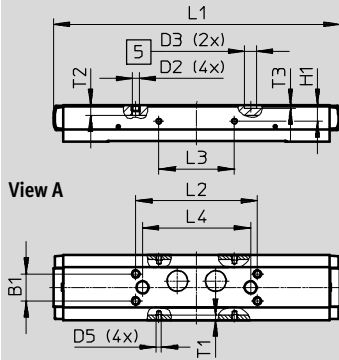
Technical data

Dimensions

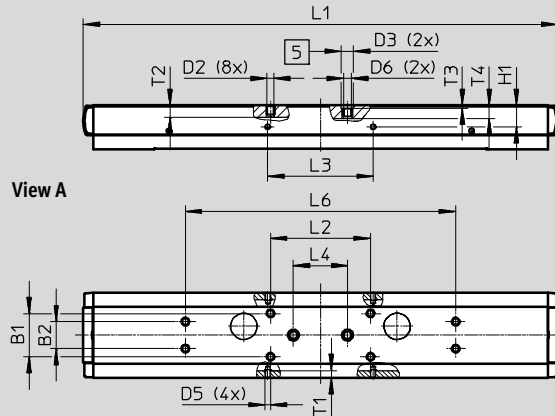
Download CAD data → www.festo.com

ELGA-...-S – Short slide

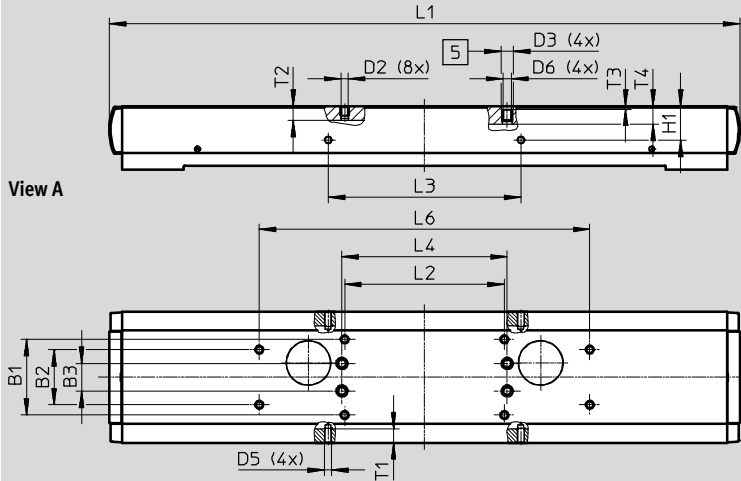
Size 70



Size 80



Size 120



5 Hole for centring sleeve

Size	B1	B2	B3	D2	D3 Ø	D5	D6	H1
	±0.1	±0.1	±0.1		H7			±0.1
70	20	-	-	M5	9	M4	-	11.7
80	32	20	-	M5	9	M4	M6	16
120	55	40	20	M5	9	M5	M6	24.5

Size	L1	L2	L3	L4	L6	T1	T2	T3	T4
		±0.2	±0.1	±0.03	±0.2				
70	212	90	56	80	-	3.5	7.5	2.1	-
80	351	74	78	40	200	5.1	9	2.1	9.7
120	458	116	140	120	240	10	10	2.1	12.8

Toothed belt axes ELGA-TB-RF, with roller bearing guide

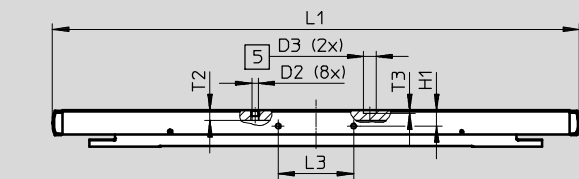
Technical data

Dimensions

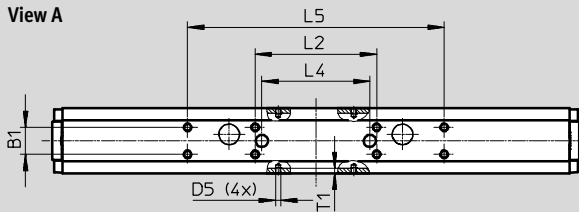
Download CAD data → www.festo.com

ELGA-...-L – Long slide

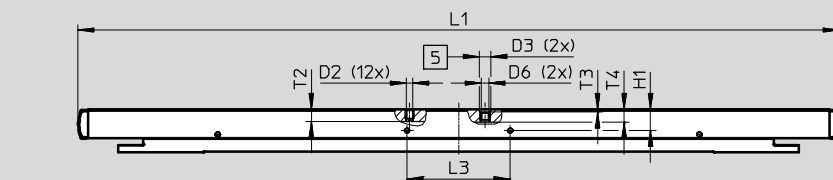
Size 70



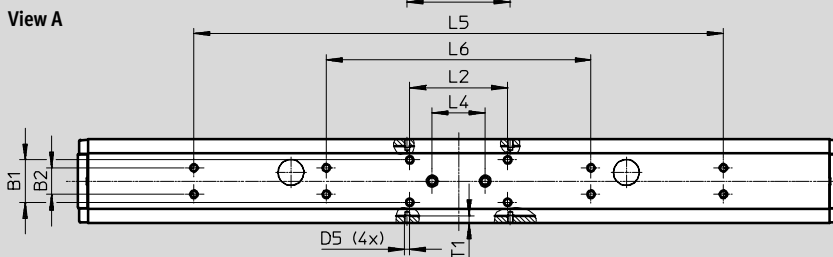
View A



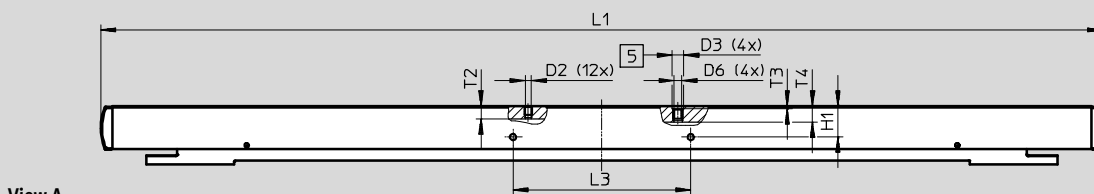
Size 80



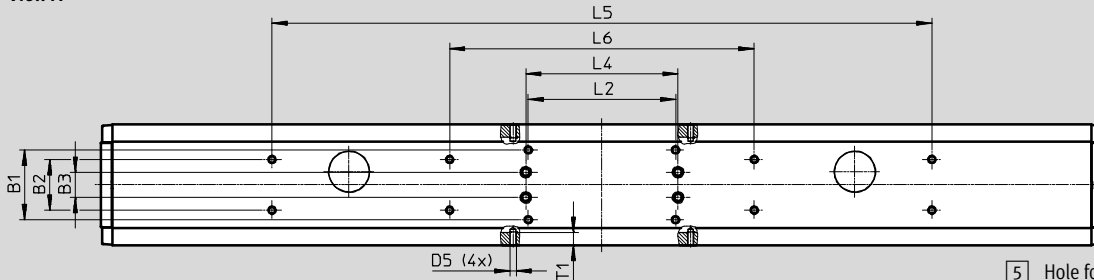
View A



Size 120



View A



5 Hole for centring sleeve

Toothed belt axes ELGA-TB-RF, with roller bearing guide

FESTO

Technical data

Size	B1 ±0.1	B2 ±0.1	B3 ±0.1	D2	D3 ∅ H7	D5
70	20	–	–	M5	9	M4
80	32	20	–	M5	9	M4
120	55	40	20	M5	9	M5

Size	D6	H1 ±0.1	L1	L2 ±0.2	L3 ±0.1	L4 ±0.03
70	–	11.7	390	90	56	80
80	M6	16	575	74	78	40
120	M6	24.5	790	116	140	120

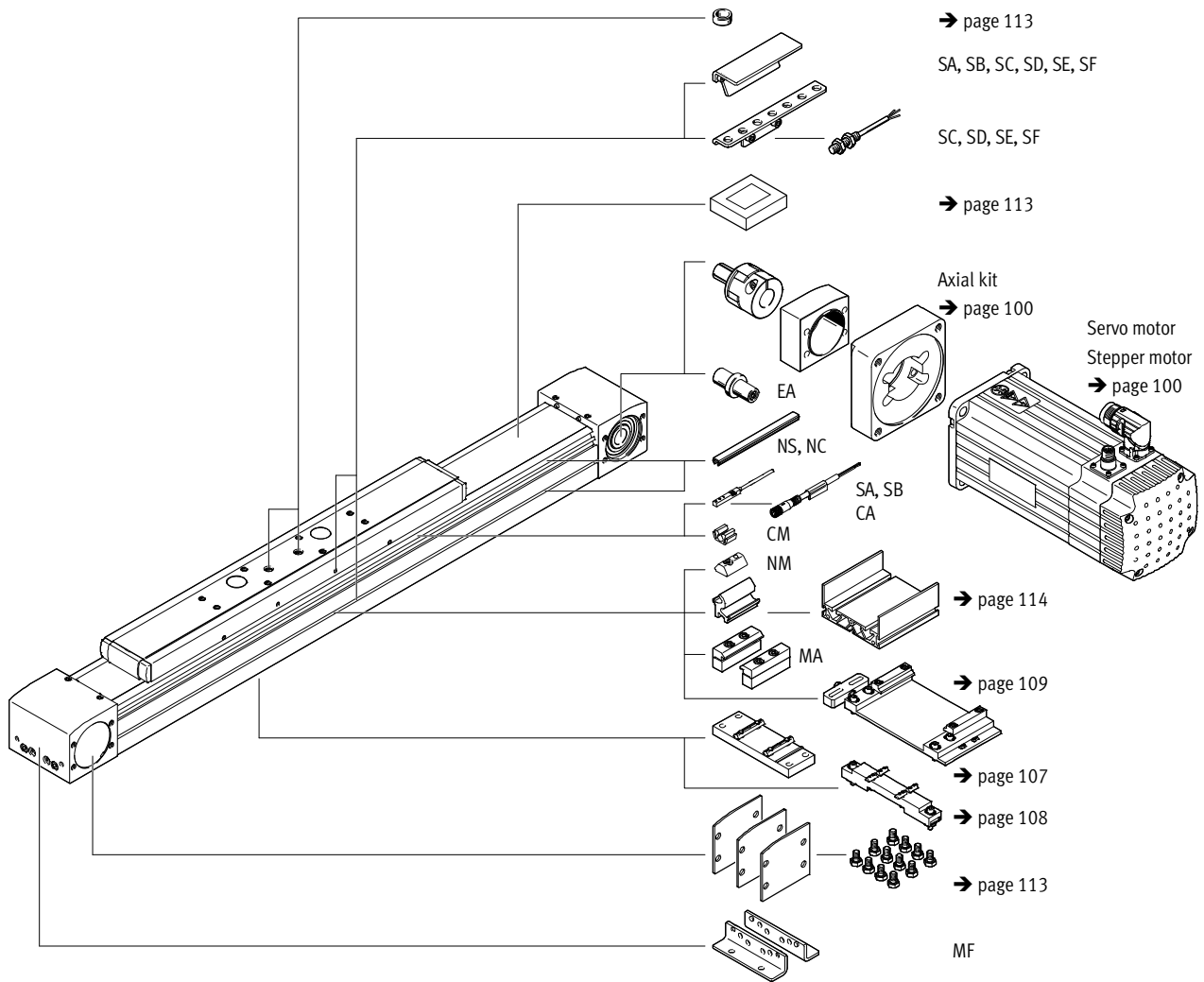
Size	L5 ±0.2	L6 ±0.2	T1	T2	T3	T4
70	190	–	3.5	7.5	2.1	–
80	400	200	5.1	9	2.1	9.7
120	520	240	10	10	2.1	12.8

Toothed belt axes ELGA-TB-RF, with roller bearing guide

Ordering data – Modular products



Accessories



Toothed belt axes ELGA-TB-RF, with roller bearing guide

Ordering data – Modular products

Ordering table		70	80	120	Condi- tions	Code	Entry code
[M]	Module no.	1371245	1371246	1371247			
	Design	Linear axis				ELGA	ELGA
	Function	Toothed belt				★ -TB	-TB
	Guide	Roller bearing guide				★ -RF	-RF
	Size [mm]	70	80	120		★ -...	
	Stroke length [mm]	1 ... 7000	1 ... 7000	1 ... 7400		★ -...	
	Stroke reserve [mm]	0 ... 999 (0 = no stroke reserve)			[1]	★ -...H	
[O]	Slide design	Standard slide				★	
		50 ... 7000	50 ... 7000	50 ... 7400			
		Short slide			[2]	★ -S	
		50 ... 7000	50 ... 7000	50 ... 7400			
		Long slide				★ -L	
		50 ... 6900	50 ... 6900	50 ... 7200			
	Protection against particles	Standard				★	
		Without strip cover				★ -PO	
[O]	Accessories	Accessories enclosed separately				+	+
	Foot mounting	1				MF	
	Profile mounting	1 ... 50				...MA	
	Proximity sensor (SIES), inductive, slot type 8, PNP, incl. switch lug	N/O contact, 7.5 m cable				...SA	
		N/C contact, 7.5 m cable				...SB	
	Proximity sensor (SIEN), inductive, M8, PNP, incl. switch lug with sensor bracket	N/O contact, 2.5 m cable				...SC	
		N/C contact, 2.5 m cable				...SD	
		N/O contact, plug M8				...SE	
		N/C contact, plug M8				...SF	
	Connecting cable 2.5 m, M8, 3-wire	1 ... 99				...CA	
	Sensor slot cover	1 ... 50 (1 = 2 units, 500 mm length)				...NS	
	Mounting slot cover	1 ... 50 (1 = 2 units, 500 mm length)				...NC	
	Slot nut for mounting slot	1 ... 99				...NM	
	Clip for sensor slot	10, 20, 30, 40, 50, 60, 70, 80, 90				...CM	
	Drive shaft	1 ... 4				...EA	
	Operating instructions	With operating instructions					
		Without operating instructions				-DN	

[1] ... H The sum of the nominal stroke and 2x stroke reserve must be at least 50 mm and must not exceed the maximum stroke length

[2] S Only with PO

The code SA, SB includes a switch lug in the scope of delivery.

The code SC, SD, SE, SF includes one switch lug and max. two sensor brackets in the scope of delivery.

[M] Mandatory data

[O] Options

Transfer order code

[] ELGA - [] TB - [] RF - [] - [] - [] - [] - [] + [] - []

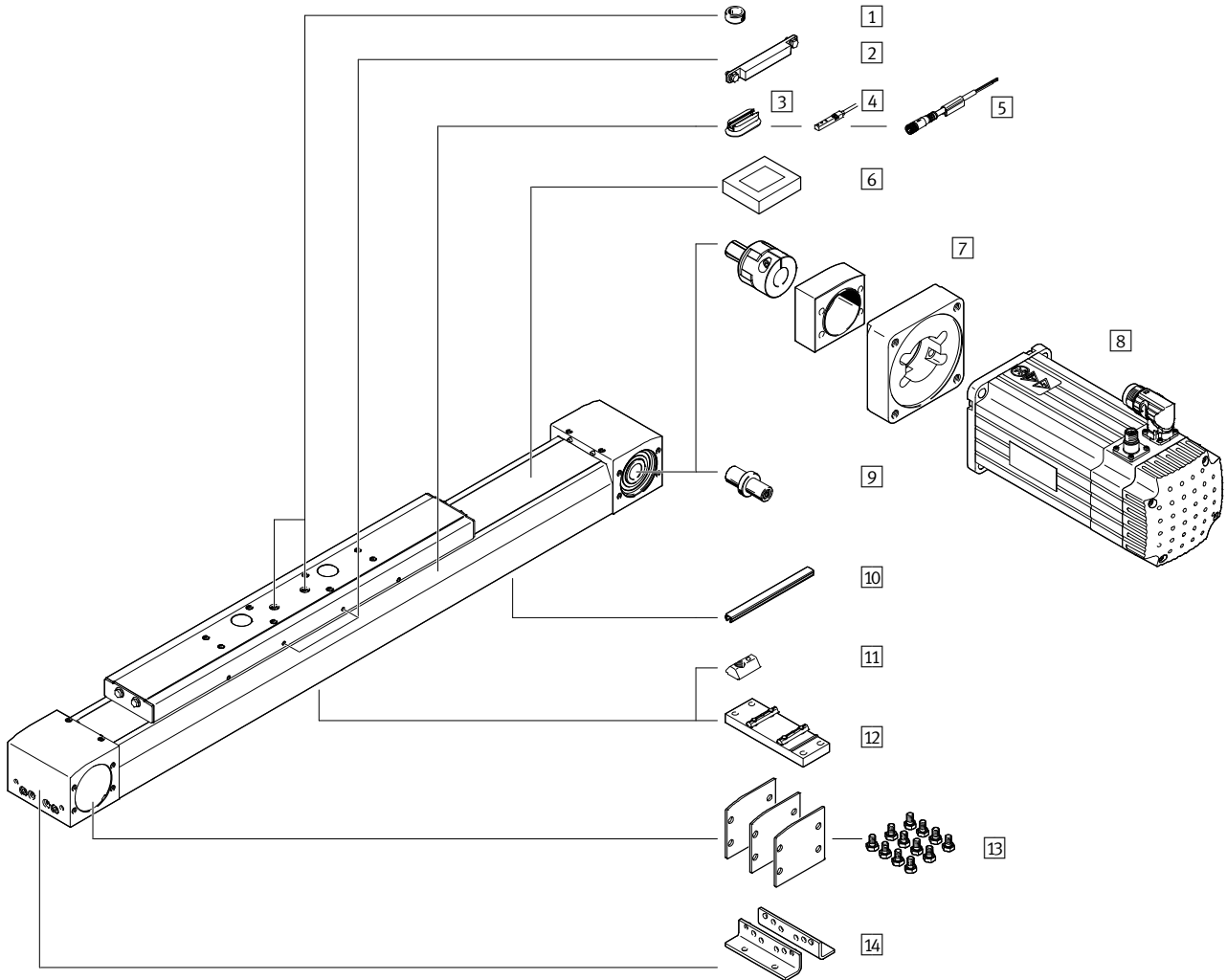
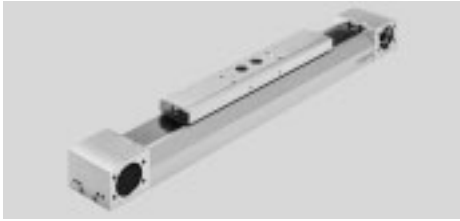
Festo core product range

★ Ready for dispatch from the Festo factory in 24 hours

☆ Ready for dispatch in 5 days maximum from stock

Toothed belt axes ELGA-TB-RF-F1, with roller bearing guide

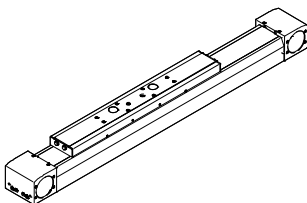
Peripherals overview – For the food zone



Slide variants

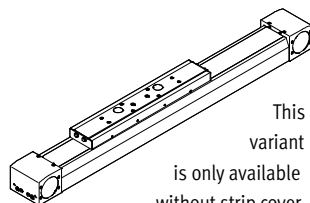
ELGA...-F1

Standard slide



ELGA...-S-F1

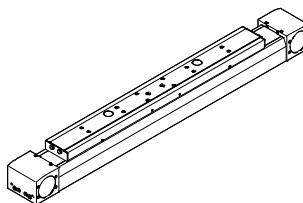
Short slide



This variant is only available without strip cover.

ELGA...-L-F1

Long slide



Toothed belt axes ELGA-TB-RF-F1, with roller bearing guide

Peripherals overview – For the food zone

Accessories			
	Type/order code	Description	→ Page/Internet
1	Centring pin/sleeve ZBS, ZBH	<ul style="list-style-type: none"> For centring loads and attachments on the slide 2 centring pins/sleeves included in the scope of delivery of the axis 	113
2	Switch lug EAPM	For sensing the slide position	112
3	Mounting kit CRSMB	For mounting the proximity sensors on the axis	112
4	Proximity sensor, T-slot SME-8M	For sensing the slide position	115
5	Connecting cable NEBU	For proximity sensor	115
6	Clamping component EADT	Tool for retensioning the cover strip	113
7	Axial kit EAMM	For axial motor mounting (comprises: coupling, coupling housing and motor flange)	100
8	Motor EMME, EMMS	Motors specially matched to the axis, with or without gear unit, with or without brake	100
9	Drive shaft EA	<ul style="list-style-type: none"> Can, if required, be used as an alternative interface No drive shaft is required for the axis/motor combinations → page 100 	104
10	Slot cover NC	<ul style="list-style-type: none"> For protection against the ingress of dirt 	113
11	Slot nut NM	For mounting attachments	113
12	Central support EAHF-L5	For mounting the axis from underneath on the profile	107
13	Cover kit EASC-L5	For covering the sides of the drive cover	113
14	Foot mounting MF	For mounting the axis on the end cap	105

Toothed belt axes ELGA-TB-RF-F1, with roller bearing guide

Type codes – For the food zone

		ELGA	-	TB	-	RF	-	70	-	800	-	20H	-		-		-	F1	-	PU1
Type																				
ELGA	Toothed belt axis																			
Drive function																				
TB	Toothed belt																			
Guide																				
RF	Roller bearing guide																			
Size																				
Stroke [mm]																				
Stroke reserve																				
Slide design																				
-	Standard slide																			
S	Short slide																			
L	Long slide																			
Protection against particles																				
-	Standard																			
P0	Without strip cover																			
Additional features																				
F1	Suitable for use in the food industry as per extended information on materials																			
Toothed belt material																				
PU1	Uncoated PU																			

Toothed belt axes ELGA-TB-RF-F1, with roller bearing guide

Type codes – For the food zone

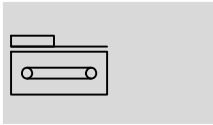
→	+	MF	-	
Accessories enclosed separately				
MF		Foot mounting		
...NC		Mounting slot cover		
...NM		Slot nut for mounting slot		
...EA		Drive shaft		
Operating instructions				
-		With operating instructions		
DN		Without operating instructions		




Toothed belt axes ELGA-TB-RF-F1, with roller bearing guide

FESTO

Technical data – For the food zone

Function



-  Size
70 ... 120
-  Stroke length
50 ... 7400 mm
-  www.festo.com



General technical data				
Size		70	80	120
Design		Electromechanical axis with toothed belt		
Guide		Roller bearing guide		
Mounting position		Any		
Working stroke				
ELGA-...	[mm]	50 ... 7000	50 ... 7000	50 ... 7400
ELGA-...-S	[mm]	50 ... 7000	50 ... 7000	50 ... 7400
ELGA-...-L	[mm]	50 ... 6900	50 ... 6900	50 ... 7200
Max. feed force F_x	[N]	260	600	1000
Max. no-load torque ¹⁾	[Nm]	1.03	1.93	5.67
Max. no-load resistance to shifting ¹⁾	[N]	72	97	216
Max. driving torque	[Nm]	3.7	11.9	26.2
Max. speed	[m/s]	10		
Max. acceleration	[m/s ²]	50		
Repetition accuracy	[mm]	±0.08		

1) At 0.2 m/s

Operating and environmental conditions		
Ambient temperature ¹⁾	[°C]	-10 ... +60
Degree of protection		
ELGA-...		IP40
ELGA-...-P0		IP00
Duty cycle	[%]	100
Food-safe ²⁾		→ Further information on materials

1) Note operating range of proximity sensors.

2) Additional information www.festo.com/sp → Certificates.

Weight [kg]				
Size		70	80	120
Basic weight with 0 mm stroke ¹⁾				
ELGA-...		2.81	6.17	17.17
ELGA-...-S		2.43	5.56	15.65
ELGA-...-L		3.38	7.36	21.11
Additional weight per 1000 mm stroke				
ELGA-...		3.36	4.87	10.34
ELGA-...-P0		3.24	4.77	10.19
Moving load				
ELGA-...		0.82	2.04	5.14
ELGA-...-S		0.75	1.97	4.87
ELGA-...-L		1.04	2.55	6.69

1) Incl. slide

Toothed belt axes ELGA-TB-RF-F1, with roller bearing guide

Technical data – For the food zone

Toothed belt				
Size		70	80	120
Pitch	[mm]	3	5	5
Expansion ¹⁾	[%]	0.09	0.09	0.09
Effective diameter	[mm]	28.65	39.79	52.52
Feed constant	[mm/rev]	90	125	165

1) At max. feed force

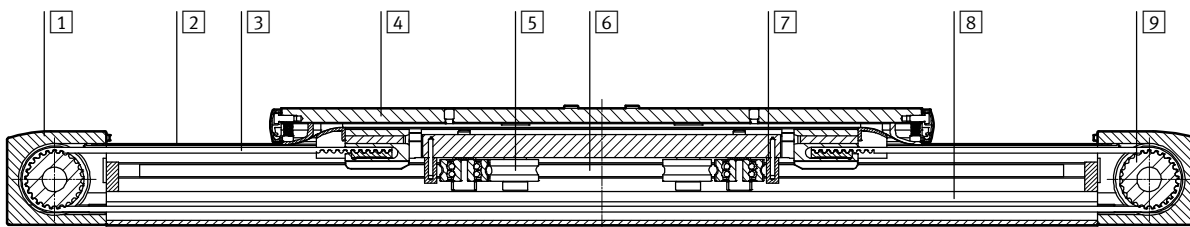
Mass moment of inertia				
Size		70	80	120
J₀				
ELGA-...	[kg mm ²]	237	1062	4937
ELGA-...-S	[kg mm ²]	209	975	4554
ELGA-...-L	[kg mm ²]	282	1265	6008
J _H per metre stroke	[kg mm ² /m]	23	110	264
J _L per kg payload	[kg mm ² /kg]	205	396	690

The mass moment of inertia J_A of the entire axis is calculated as follows:

$$J_A = J_0 + J_H \times \text{working stroke [m]} + J_L \times m_{\text{payload [kg]}}$$

Materials

Sectional view



Axis		
1	Drive cover	Anodised wrought aluminium alloy
2	Cover strip	Stainless steel
3	Toothed belt	Polyurethane with steel cord
4	Slide	Anodised wrought aluminium alloy
5	Guide roller	Hardened rolled steel (lubricant approved for the food zone)
6	Guide rod	Hardened tempered steel
7	Wiper ring	Oil-impregnated felt (lubricating oil approved for the food zone)
8	Profile	Anodised wrought aluminium alloy
9	Toothed belt pulley	High-alloy stainless steel
Note on materials		RoHS-compliant
		Contains paint-wetting impairment substances

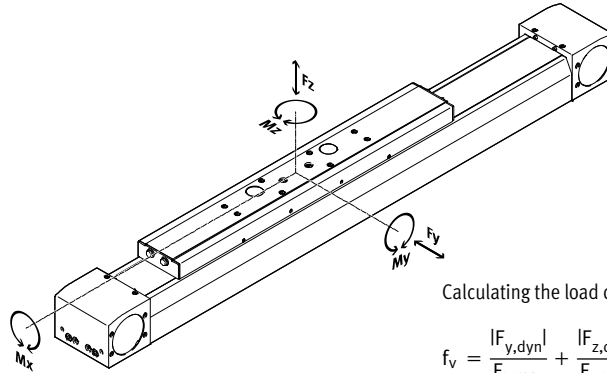
Toothed belt axes ELGA-TB-RF-F1, with roller bearing guide

Technical data – For the food zone



Characteristic load values

The indicated forces and torques refer to the slide surface. The point of application of force is the point where the centre of the guide and the longitudinal centre of the slide intersect. These values must not be exceeded during dynamic operation. Special attention must be paid to the cushioning phase.



If the axis is subjected to two or more of the indicated forces and torques simultaneously, the following equation must be satisfied in addition to the indicated maximum loads:

Calculating the load comparison factor:

$$f_v = \frac{|F_{y,dyn}|}{F_{y,max}} + \frac{|F_{z,dyn}|}{F_{z,max}} + \frac{|M_{x,dyn}|}{M_{x,max}} + \frac{|M_{y,dyn}|}{M_{y,max}} + \frac{|M_{z,dyn}|}{M_{z,max}} \leq 1$$

Max. permissible forces and torques for a service life of 10000 km				
Size		70	80	120
F _{y,max.}	[N]	400	640	1600
F _{z,max.}	[N]	400	640	1600
M _{x,max.}	[Nm]	8.8	24	80
M _{y,max.}				
ELGA-...	[Nm]	16	72	256
ELGA-...-S	[Nm]	16	72	256
ELGA-...-L	[Nm]	32	144	512
M _{z,max.}				
ELGA-...	[Nm]	16	72	256
ELGA-...-S	[Nm]	16	72	256
ELGA-...-L	[Nm]	32	144	512

Calculating the service life

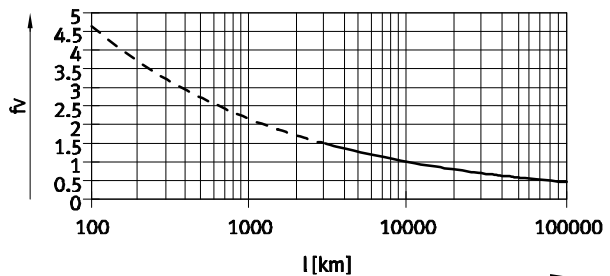
The service life of the guide depends on the load. To provide a rough indication of the service life of the guide, the graph below plots the load comparison factor f_v against the service life.

These values are only theoretical. You must consult your local contact person at Festo for load comparison factors f_v greater than 1.5.

Load comparison factor f_v as a function of service life

Example:

A user wants to move an X kg load. Using the formula → page 72 gives a value of 1.5 for the load comparison factor f_v . According to the graph, the guide would have a service life of approx. 3000 km. Reducing the acceleration reduces the M_z and M_y values. A load comparison factor f_v of 1 now gives a service life of 10000 km.



Note

PositioningDrives
engineering software
www.festo.com

The software can be used to calculate a guide workload for a service life of 10000 km.

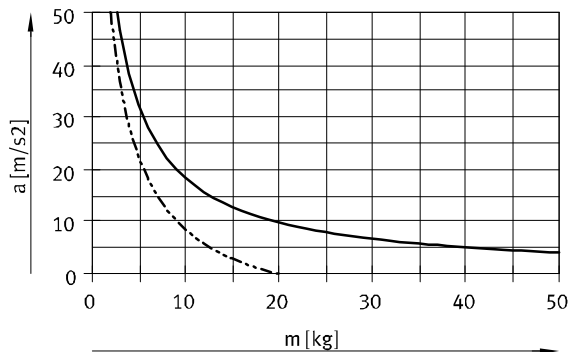
$f_v > 1.5$ are only theoretical comparison values for the roller bearing guide.

Toothed belt axes ELGA-TB-RF-F1, with roller bearing guide

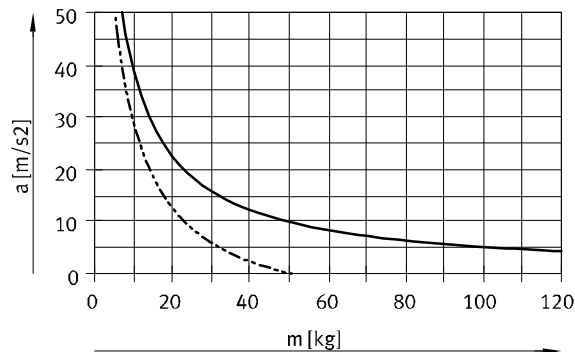
Technical data – For the food zone

Max. acceleration a as a function of payload m

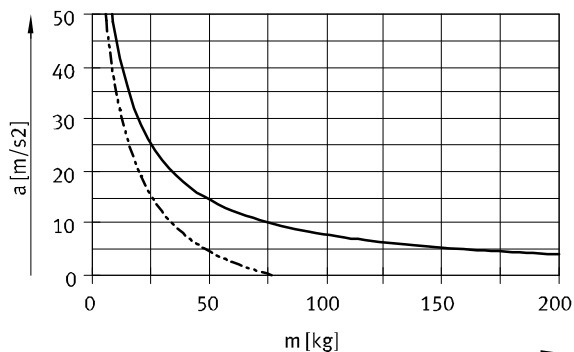
Size 70



Size 80

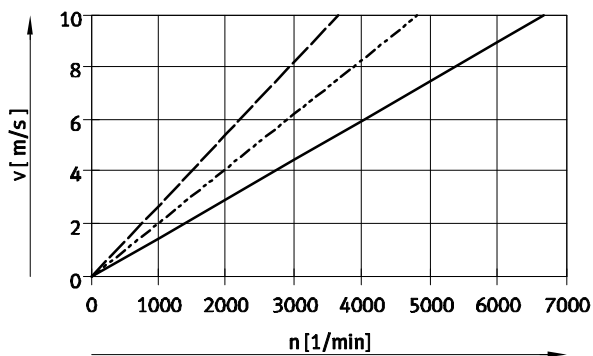


Size 120



— Horizontal
- - - Vertical

Speed v as a function of rotational speed n



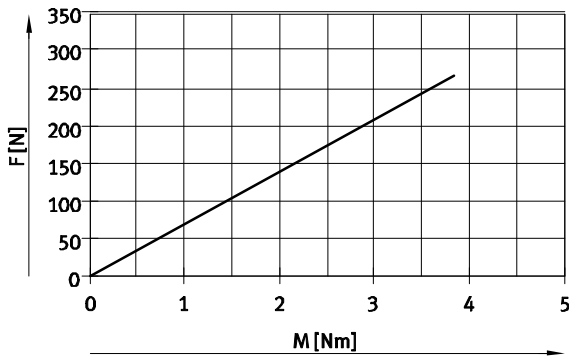
— ELGA-TB-RF-70
- - - ELGA-TB-RF-80
- · - ELGA-TB-RF-120

Toothed belt axes ELGA-TB-RF-F1, with roller bearing guide

Technical data – For the food zone

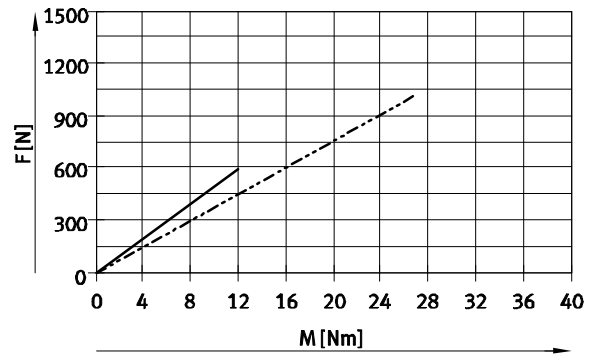
Theoretical feed force F as a function of input torque M

Size 70



— ELGA-TB-RF-70

Size 80/120



— ELGA-TB-RF-80
 - - - ELGA-TB-RF-120

Stroke reserve



L19 = Nominal stroke
 L20 = Stroke reserve

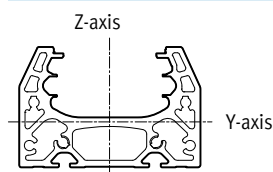
- The stroke reserve is a safety distance which is generally not used as work space
- The sum of the nominal stroke and 2x stroke reserve must not exceed the maximum working stroke

- The stroke reserve length can be freely selected
- The stroke reserve is defined via the "stroke reserve" characteristic in the modular product system.

Example:

Type ELGA-TB-RF-70-500-20H-...
 Nominal stroke = 500 mm
 2x stroke reserve = 40 mm
 Working stroke = 540 mm
 (540 mm = 500 mm + 2x 20 mm)

Second moment of area



Size		70	80	120
I_y	[mm ⁴]	1.48×10^5	2.77×10^5	1.32×10^6
I_z	[mm ⁴]	4.52×10^5	1.00×10^6	4.74×10^6

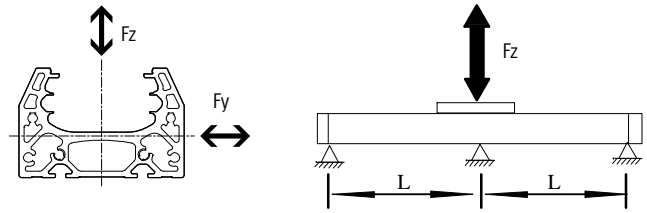
Toothed belt axes ELGA-TB-RF-F1, with roller bearing guide

Technical data – For the food zone

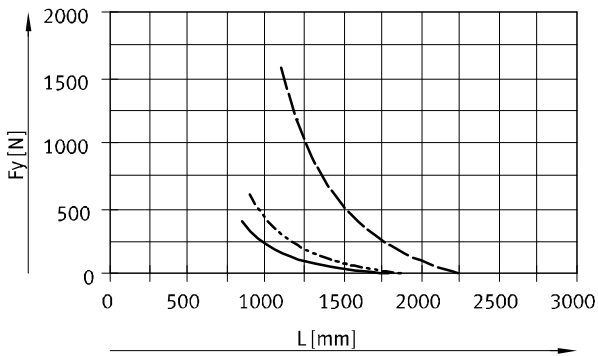
Maximum permissible support span L (without central support EAHF) as a function of force F

In order to limit deflection in the case of large strokes, the axis may need to be supported.

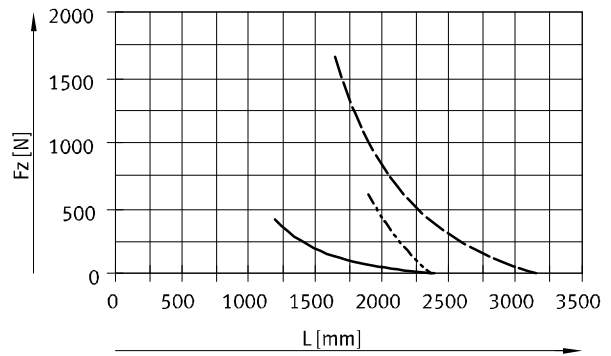
The following graphs can be used to determine the maximum permissible support span L as a function of force F acting on the axis. The deflection is $f = 0.5 \text{ mm}$.



Force Fy



Force Fz



- ELGA-TB-RF-70
- - - ELGA-TB-RF-80
- · - ELGA-TB-RF-120

Recommended deflection limits

Adherence to the following deflection limits is recommended so as not to impair the functional performance of the axes. Greater deformation can result in increased friction, greater wear and reduced service life.

Size	Dyn. deflection (moving load)	Stat. deflection (stationary load)
70 ... 120	0.05% of the axis length, max. 0.5 mm	0.1% of the axis length

Toothed belt axes ELGA-TB-RF-F1, with roller bearing guide

Technical data – For the food zone

Dimensions Download CAD data → www.festo.com

View A (→ page 78)

+ = plus stroke length + 2 x stroke reserve
 1 Sealing air connections

Size	B1	B2	B4	B5	D1 ∅ H7	D2 ∅ H7	D3 ∅	D4 ∅	D5 ∅ H7	D6
70	69	48.2	30	45	38	16	34	25	–	M5
80	82	63.2	20	60	48	16	45	25	9	M5
120	120	95	80	40	80	23	72	45	–	M 8

Size	D7	D8 ∅ H7	H1	H2	H4	H5	H6	H7	H8	L3
70	M6	5	64	26.5	50.8	13	13	24	12	57.5
80	M6	5	76.5	30	61.5	17.5	12	26	13	65
120	M 8	9	111.5	45	91	22	22	59	32	100

Size	L4	L5	L6	T1	T2	T4	T6	T7	T8	T9
70	42	27.5	2.3	2.1	18	7.15	–	10	12	3.1
80	51	31	2.3	2.1	29.5	4	2.1	10.1	12	2
120	76	50	2.5	3.1	29.5	4	–	16	16	2.1

Size	L1			L2		
	ELGA-...	ELGA-...-S	ELGA-...-L	ELGA-... Min.	ELGA-...-S Min.	ELGA-...-L Min.
70	420	342	520	210	171	260
80	580	496	720	290	248	360
120	775	673	1005	387.5	336.5	502.5

Toothed belt axes ELGA-TB-RF-F1, with roller bearing guide

Technical data – For the food zone

Dimensions Download CAD data → www.festo.com

Profile

Size 70

Size 80

Size 120

Z Mounting slot for slot nut:
 for size 70, 80: slot nut NST-5-M5
 for size 120: slot nut NST-8-M6

Size	B10	B11
70	67	40
80	80	40
120	116	40

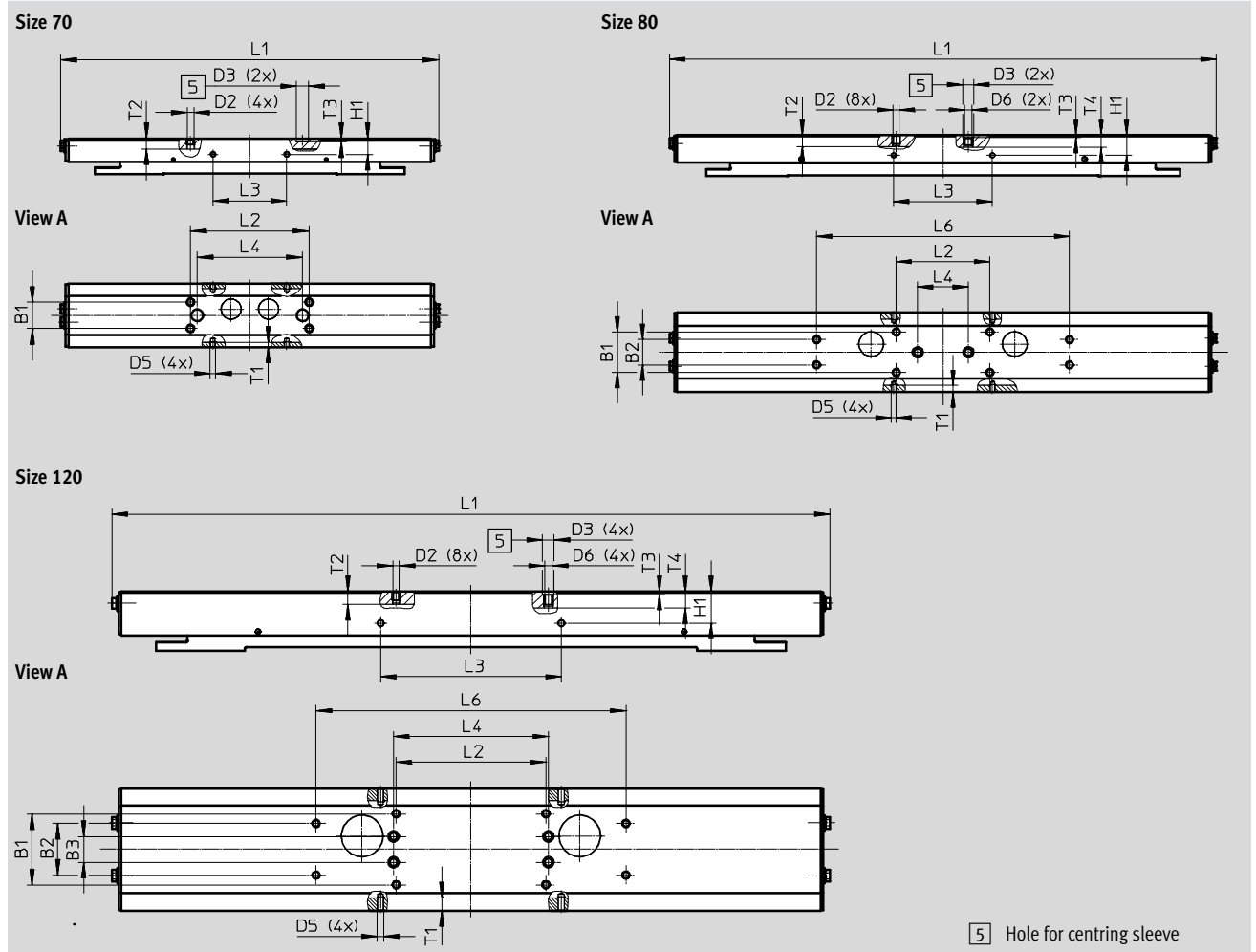
- Note
 Requirements for the flatness of the bearing surface and of attachments as well as for use in parallel structures → www.festo.com/sp
 User Documentation

Toothed belt axes ELGA-TB-RF-F1, with roller bearing guide

Technical data – For the food zone

Dimensions Download CAD data → www.festo.com

ELGA-... – Standard slide



Size	B1	B2	B3	D2	D3 ∅	D5	D6	H1
	±0.1	±0.1	±0.1		H7			±0.1
70	20	-	-	M5	9	M4	-	11.7
80	32	20	-	M5	9	M4	M6	16
120	55	40	20	M5	9	M5	M6	24.5

Size	L1	L2	L3	L4	L6	T1	T2	T3	T4
		±0.2	±...≥1	±0.03	±0.2				
70	290	90	56	80	-	3.5	7.5	2.1	-
80	435	74	78	40	200	5.1	9	2.1	9.7
120	560	116	140	120	240	10	10	2.1	12.8

Toothed belt axes ELGA-TB-RF-F1, with roller bearing guide

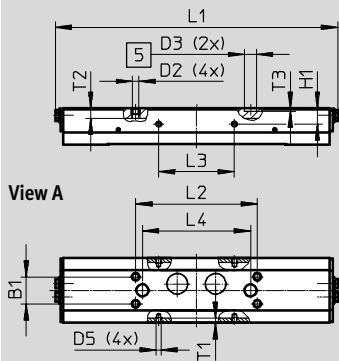
Technical data – For the food zone

Dimensions

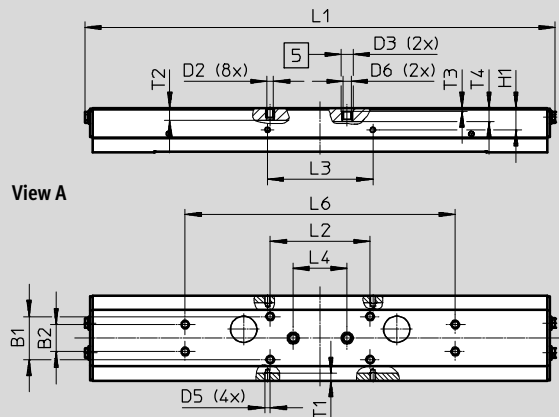
Download CAD data → www.festo.com

ELGA-...-S – Short slide

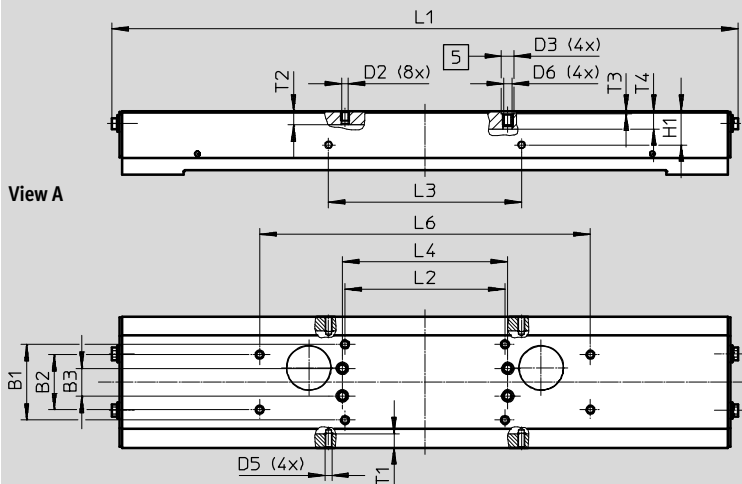
Size 70



Size 80



Size 120



□ Hole for centring sleeve

Size	B1	B2	B3	D2	D3 ∅ H7	D5	D6	H1
	±0.1	±0.1	±0.1					±0.1
70	20	-	-	M5	9	M4	-	11.7
80	32	20	-	M5	9	M4	M6	16
120	55	40	20	M5	9	M5	M6	24.5

Size	L1	L2	L3	L4	L6	T1	T2	T3	T4
		±0.2	±...≥1	±0.03	±0.2				
70	212	90	56	80	-	3.5	7.5	2.1	-
80	351	74	78	40	200	5.1	9	2.1	9.7
120	458	116	140	120	240	10	10	2.1	12.8

Toothed belt axes ELGA-TB-RF-F1, with roller bearing guide

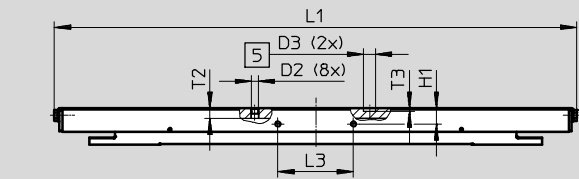
Technical data – For the food zone

Dimensions

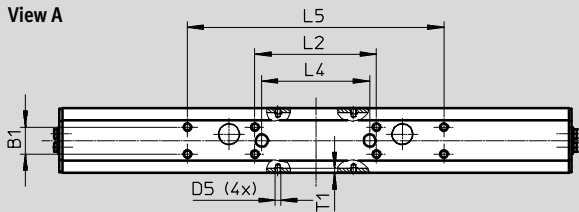
Download CAD data → www.festo.com

ELGA-...-L – Long slide

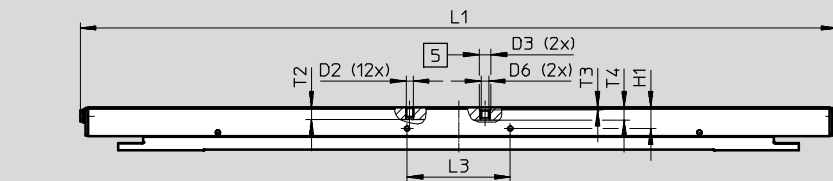
Size 70



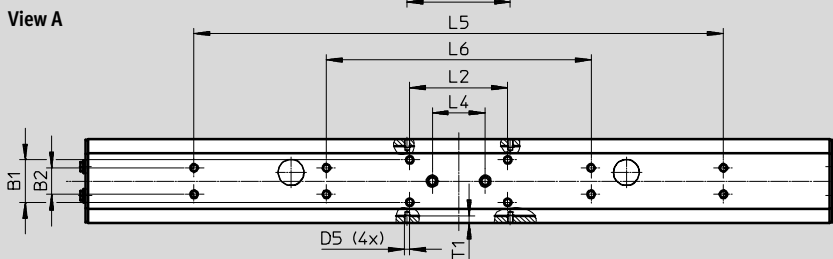
View A



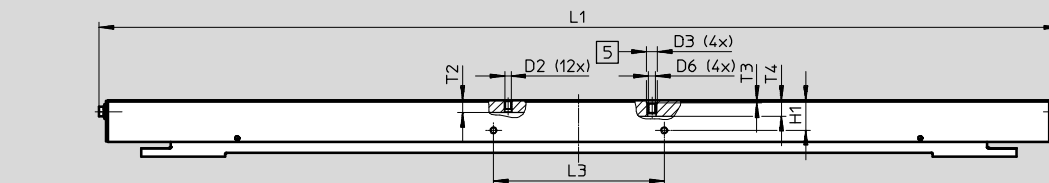
Size 80



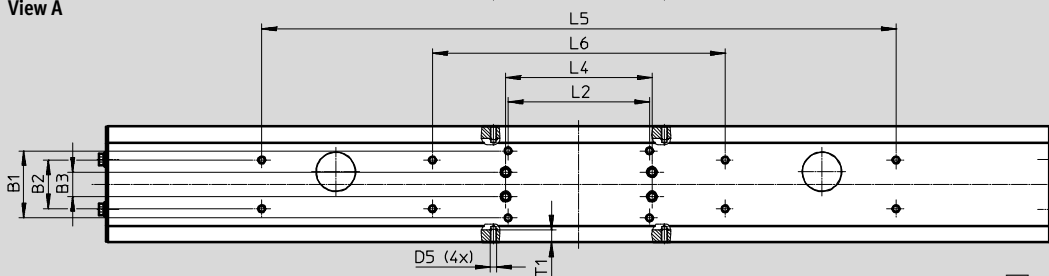
View A



Size 120



View A



5 Hole for centring sleeve

Toothed belt axes ELGA-TB-RF-F1, with roller bearing guide

FESTO

Technical data – For the food zone

Size	B1 ±0.1	B2 ±0.1	B3 ±0.1	D2	D3 ∅ H7	D5
70	20	–	–	M5	9	M4
80	32	20	–	M5	9	M4
120	55	40	20	M5	9	M5

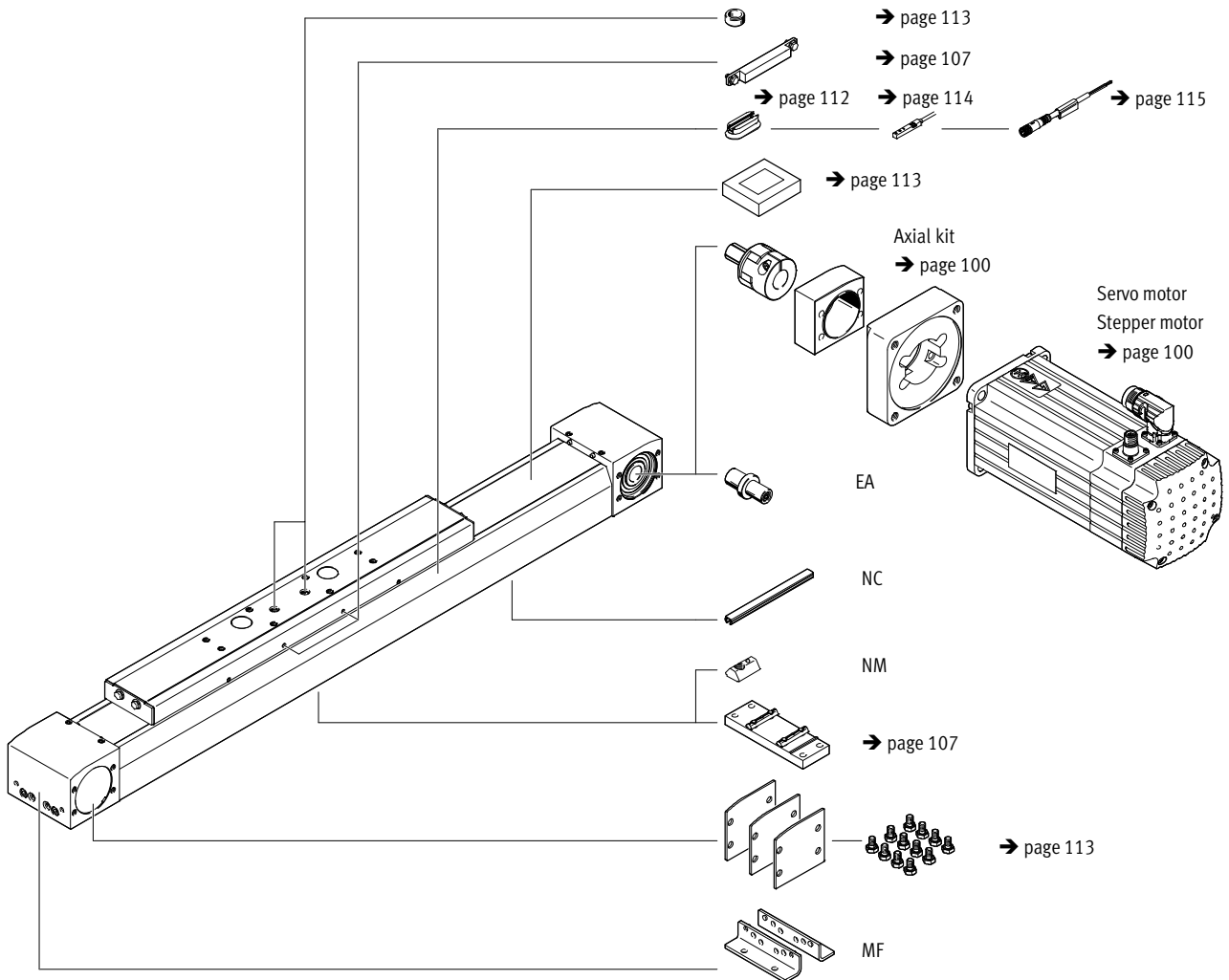
Size	D6	H1 ±0.1	L1	L2 ±0.2	L3 ±...≥1	L4 ±0.03
70	–	11.7	390	90	56	80
80	M6	16	575	74	78	40
120	M6	24.5	790	116	140	120

Size	L5 ±0.2	L6 ±0.2	T1	T2	T3	T4
70	190	–	3.5	7.5	2.1	–
80	400	200	5.1	9	2.1	9.7
120	520	240	10	10	2.1	12.8

Toothed belt axes ELGA-TB-RF-F1, with roller bearing guide

Ordering data – Modular product system – For the food zone

Accessories



Toothed belt axes ELGA-TB-RF-F1, with roller bearing guide

Ordering data – Modular products – For the food zone

Ordering table						
Size	70	80	120	Condi- tions	Code	Entry code
M Module no.	1371245	1371246	1371247			
Design	Linear axis				ELGA	ELGA
Function	Toothed belt				-TB	-TB
Guide	Roller bearing guide				-RF	-RF
Size [mm]	70	80	120		-...	
Stroke length [mm]	1 ... 7000	1 ... 7000	1 ... 7400		-...	
Stroke reserve [mm]	0 ... 999 (0 = no stroke reserve)			1	-...H	
O Slide design	Standard slide					
	1 ... 7000	1 ... 7000	1 ... 7400			
	Short slide			2	-S	
	1 ... 7000	1 ... 7000	1 ... 7400			
	Long slide				-L	
	1 ... 6900	1 ... 6900	1 ... 7200			
Protection against particles	Standard					
	Without strip cover				-P0	
Additional features	Suitable for use in the food industry as per extended informa- tion on materials				-F1	-F1
Toothed belt material	Uncoated PU				-PU1	-PU1
O Accessories	Accessories enclosed separately				+	+
Foot mounting	1				MF	
Mounting slot cover	1 ... 50 (1 = 2 units, 500 mm length)				...NC	
Slot nut for mounting slot	1 ... 99				...NM	
Drive shaft	1 ... 4				...EA	
Operating instructions	With operating instructions					
	Without operating instructions				-DN	

1 ... **H** The sum of the nominal stroke and 2x stroke reserve must be at least 50 mm and must not exceed the maximum stroke length

2 **S** Only with P0

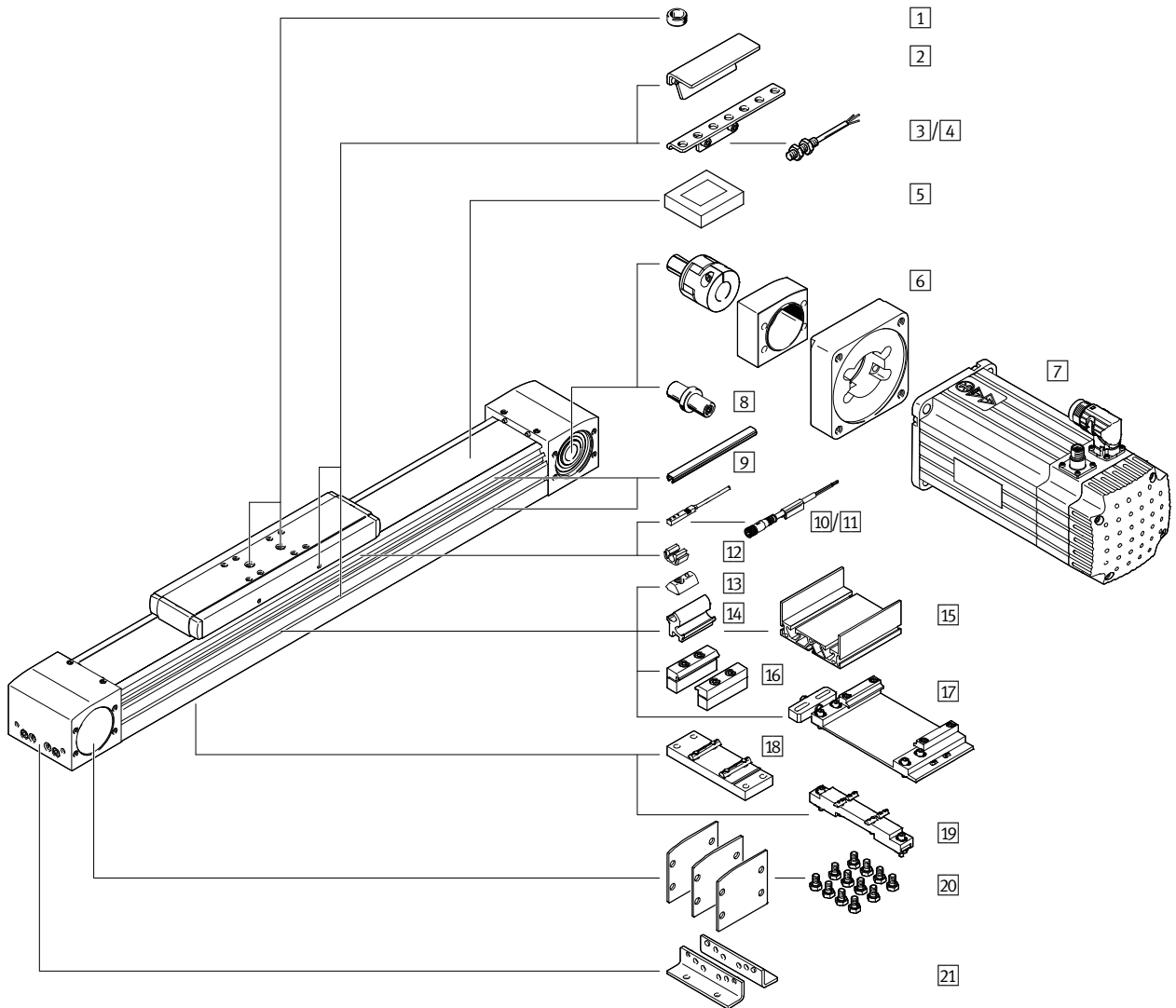
M Mandatory data

O Options

Transfer order code

Toothed belt axes ELGA-TB-G, with plain-bearing guide

Peripherals overview



Toothed belt axes ELGA-TB-G, with plain-bearing guide

Peripherals overview

Accessories			
	Type/order code	Description	→ Page/Internet
1	Centring pin/sleeve ZBS, ZBH	<ul style="list-style-type: none"> For centring loads and attachments on the slide 2 centring pins/sleeves included in the scope of delivery of the axis 	113
2	Switch lug SA, SB, SC, SD, SE, SF	For sensing the slide position	110
3	Sensor bracket SC, SD, SE, SF	For mounting the inductive proximity sensors (round design) on the axis	111
4	Proximity sensor, M8 SC, SD, SE, SF	<ul style="list-style-type: none"> Inductive proximity sensor, round design The order code SC, SD, SE, SF includes 1 switch lug and max. 2 sensor brackets in the scope of delivery 	115
5	Clamping component EADT	Tool for retensioning the cover strip	113
6	Axial kit EAMM	For axial motor mounting (comprises: coupling, coupling housing and motor flange)	100
7	Motor EMME, EMMS	Motors specially matched to the axis, with or without gear unit, with or without brake	100
8	Drive shaft EA	<ul style="list-style-type: none"> Can, if required, be used as an alternative interface No drive shaft is required for the axis/motor combinations → page 100 	104
9	Slot cover NS, NC	<ul style="list-style-type: none"> For protection against the ingress of dirt 	113
10	Proximity sensor, T-slot SA, SB	<ul style="list-style-type: none"> Inductive proximity sensor, for T-slot The order code SA, SB includes 1 switch lug in the scope of delivery 	114
11	Connecting cable CA	For proximity sensor (order code SE and SF)	115
12	Clip CM	For mounting the proximity sensor cable in the slot	113
13	Slot nut NM	For mounting attachments	113
14	Adapter kit DHAM	For mounting the support profile on the axis	114
15	Support profile HMMA	For mounting and guiding an energy chain	114
16	Profile mounting MA	For mounting the axis on the side of the profile	106
17	Adjusting kit EADC-E16	Used to mount the axis on a vertical surface. Following mounting, the axis can be aligned horizontally	109
18	Central support EAHF-L5	For mounting the axis from underneath on the profile	107
19	Adjusting kit EADC-E15	It is height-adjustable. Can be used to compensate any unevenness in the bearing surface	108
20	Cover kit EASC-L5	For covering the sides of the drive cover	113
21	Foot mounting MF	<ul style="list-style-type: none"> For mounting the axis on the end cap With higher forces and torques, the axis should be mounted using the profile 	105

Toothed belt axes ELGA-TB-G, with plain-bearing guide

Type codes

		ELGA	-	TB	-	G	-	70	-	800	-	20H	-	
Type														
ELGA	Toothed belt axis													
Drive function														
TB	Toothed belt													
Guide														
G	Plain-bearing guide													
Size														
Stroke [mm]														
Stroke reserve														
Protection against particles														
-	Standard													
P0	Without strip cover													

Toothed belt axes ELGA-TB-G, with plain-bearing guide

Type codes

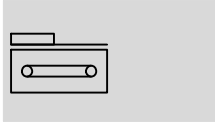
→	+	MF2SA	-	
Accessories enclosed separately				
MF	Foot mounting			
...MA	Profile mounting			
...SA	Proximity sensor (SIES), inductive, slot type 8, PNP, N/O contact, 7.5 m cable			
...SB	Proximity sensor (SIES), inductive, slot type 8, PNP, N/C contact, 7.5 m cable			
...SC	Proximity sensor (SIEN), inductive, M8, PNP, N/O contact, 2.5 m cable			
...SD	Proximity sensor (SIEN), inductive, M8, PNP, N/C contact, 2.5 m cable			
...SE	Proximity sensor (SIEN), inductive, M8, PNP, N/O contact, plug connector M8			
...SF	Proximity sensor (SIEN), inductive, M8, PNP, N/C contact, plug connector M8			
...CA	Connecting cable			
...NS	Sensor slot cover			
...NC	Mounting slot cover			
...NM	Slot nut for mounting slot			
...CM	Cable clip			
...EA	Drive shaft			
Operating instructions				
-	With operating instructions			
DN	Without operating instructions			




Toothed belt axes ELGA-TB-G, with plain-bearing guide

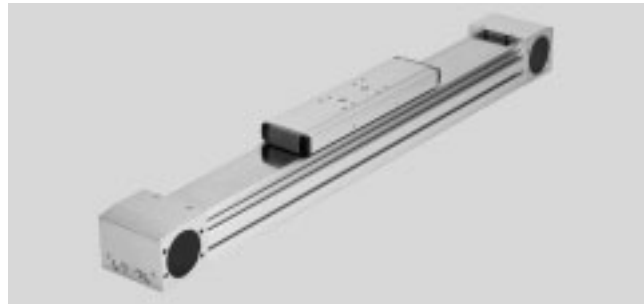
FESTO

Technical data

Function



-  - Size
70 ... 120
-  - Stroke length
50 ... 8500 mm
-  - www.festo.com



General technical data				
Size		70	80	120
Design		Electromechanical axis with toothed belt		
Guide		Plain-bearing guide		
Mounting position		Any		
Working stroke	[mm]	50 ... 8500	50 ... 8500	50 ... 8500
Max. feed force F_x	[N]	350	800	1300
Max. no-load torque ¹⁾	[Nm]	0.5	1	3
Max. no-load resistance to shifting ¹⁾	[N]	35	50	114
Max. driving torque	[Nm]	5	15.9	34.1
Max. speed	[m/s]	5		
Max. acceleration	[m/s ²]	50		
Repetition accuracy	[mm]	±0.08		

1) At 0.2 m/s

Operating and environmental conditions		
Ambient temperature ¹⁾	[°C]	-10 ... +60
Degree of protection		
ELGA-...		IP40
ELGA-...-P0		IP00
Duty cycle	[%]	100

1) Note operating range of proximity sensors

Weight [kg]				
Size		70	80	120
Basic weight with 0 mm stroke ¹⁾		2.16	4	11.8
Additional weight per 1000 mm stroke		2.64	3.56	7.45
Moving load		0.57	1.1	3.06

1) Incl. slide

Toothed belt				
Size		70	80	120
Pitch	[mm]	3	5	5
Expansion ¹⁾	[%]	0.21	0.17	0.21
Effective diameter	[mm]	28.65	39.79	52.52
Feed constant	[mm/rev]	90	125	165

1) At max. feed force

Toothed belt axes ELGA-TB-G, with plain-bearing guide

Technical data

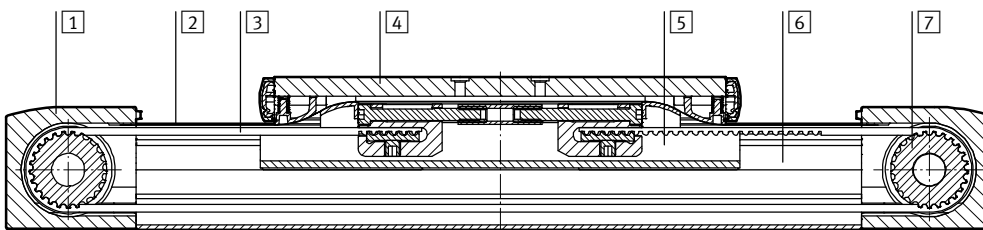
Mass moment of inertia				
Size		70	80	120
J_0	[kg mm ²]	175	666	3201
J_H per metre stroke	[kg mm ² /m]	19	93	215
J_L per kg payload	[kg mm ² /kg]	205	396	690

The mass moment of inertia J_A of the entire axis is calculated as follows:

$$J_A = J_0 + J_H \times \text{working stroke [m]} + J_L \times m_{\text{payload [kg]}}$$

Materials

Sectional view



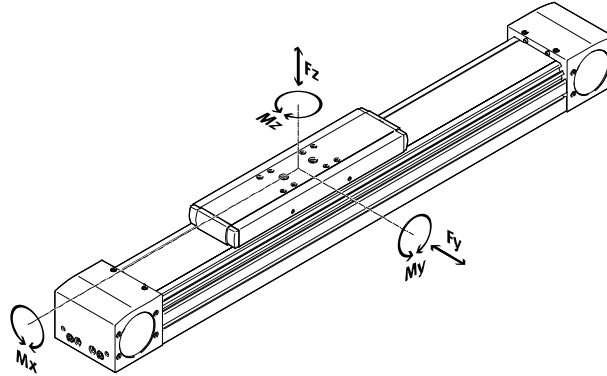
Axis		
1	Drive cover	Anodised wrought aluminium alloy
2	Cover strip	Stainless steel
3	Toothed belt	Polychloroprene with glass cord and nylon coating
4	Slide	Anodised wrought aluminium alloy
5	Slide elements	Polyacetal
6	Profile with integrated guide	Anodised wrought aluminium alloy
7	Toothed belt pulley	High-alloy stainless steel
Note on materials		RoHS-compliant
		Contains paint-wetting impairment substances

Toothed belt axes ELGA-TB-G, with plain-bearing guide

Technical data

Characteristic load values

The indicated forces and torques refer to the slide surface. The point of application of force is the point where the centre of the guide and the longitudinal centre of the slide intersect. These values must not be exceeded during dynamic operation. Special attention must be paid to the cushioning phase.



If the axis is subjected to two or more of the indicated forces and torques simultaneously, the following equation must be satisfied in addition to the indicated maximum loads:

Calculating the load comparison factor:

$$\frac{|F_{y,dyn}|}{F_{y,max}} + \frac{|F_{z,dyn}|}{F_{z,max}} + \frac{|M_{x,dyn}|}{M_{x,max}} + \frac{|M_{y,dyn}|}{M_{y,max}} + \frac{|M_{z,dyn}|}{M_{z,max}} \leq 1$$

Permissible forces and torques				
Size		70	80	120
F _{y,max.}	[N]	80	200	380
F _{z,max.}	[N]	400	800	1600
M _{x,max.}	[Nm]	5	10	20
M _{y,max.}	[Nm]	30	60	120
M _{z,max.}	[Nm]	10	20	40

Note

The plain-bearing guide is not backlash-free. The toothed belt axis ELGA-TB-RF is recommended for applications that need to be backlash-free, or applications involving high torque loads.

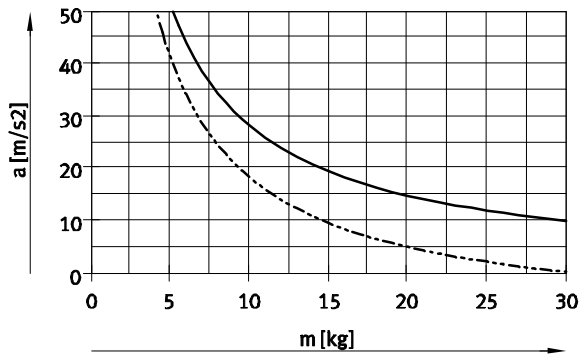
PositioningDrives
engineering software
www.festo.com

Toothed belt axes ELGA-TB-G, with plain-bearing guide

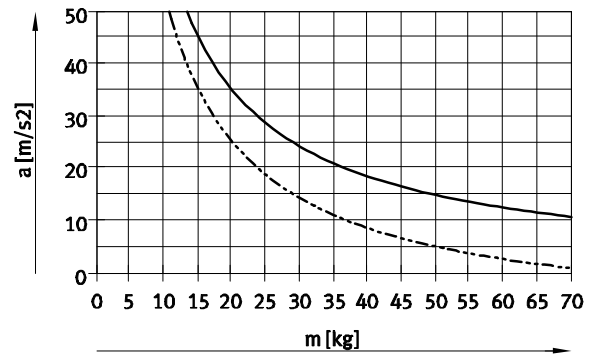
Technical data

Max. acceleration a as a function of payload m

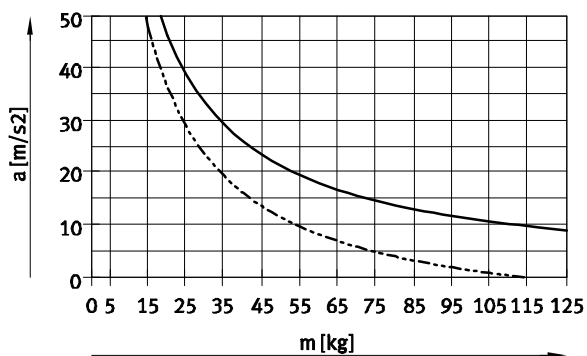
Size 70



Size 80

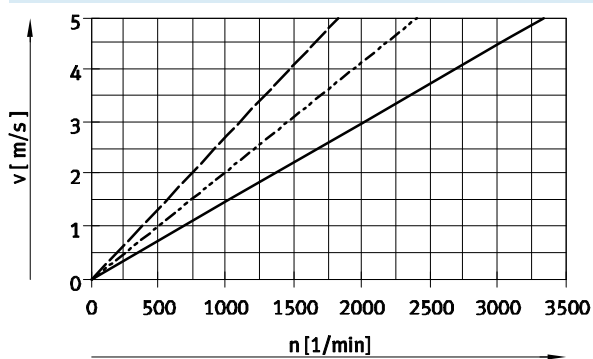


Size 120



— Horizontal
- - - Vertical

Speed v as a function of rotational speed n



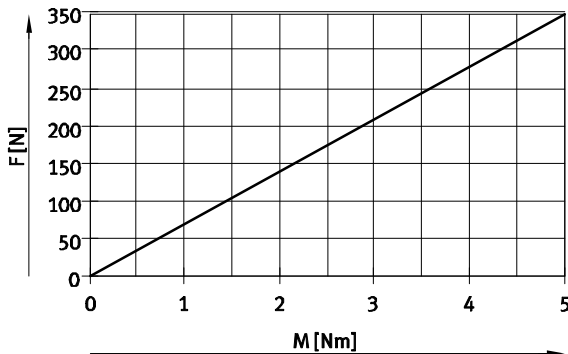
— ELGA-TB-G-70
- - - ELGA-TB-G-80
- - - ELGA-TB-G-120

Toothed belt axes ELGA-TB-G, with plain-bearing guide

Technical data

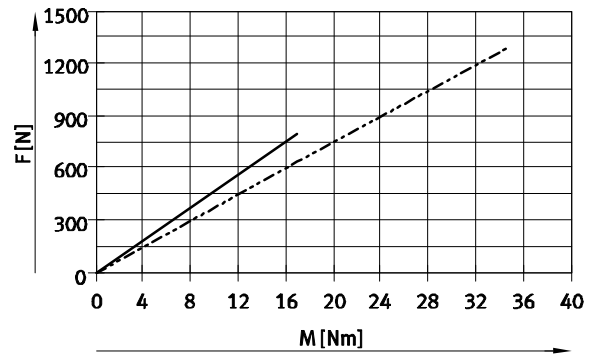
Theoretical feed force F as a function of input torque M

Size 70



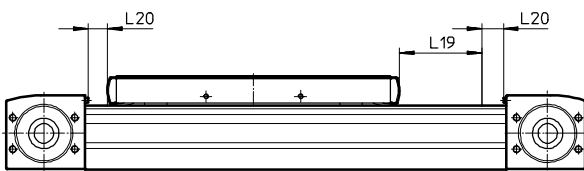
— ELGA-TB-G-70

Size 80/120



— ELGA-TB-G-80
 - - - ELGA-TB-G-120

Stroke reserve



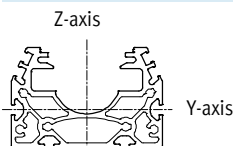
L19 = Nominal stroke
 L20 = Stroke reserve

- The stroke reserve is a safety distance which is generally not used as work space
 - The sum of the nominal stroke and 2x stroke reserve must not exceed the maximum working stroke
 - The stroke reserve length can be freely selected
 - The stroke reserve is defined via the "stroke reserve" characteristic in the modular product system.
- Example:**
 Type ELGA-TB-G-70-500-20H-...
 Nominal stroke = 500 mm
 2x stroke reserve = 40 mm
 Working stroke = 540 mm
 (540 mm = 500 mm + 2x 20 mm)

The toothed belt axis ELGA-TB-G features a safety distance to the end positions as standard.

Size	70	80	120
Safety distance per end position [mm]	4.5	5	5

Second moment of area



Size	70	80	120
I_y [mm ⁴]	1.47×10^5	2.77×10^5	1.23×10^6
I_z [mm ⁴]	4.25×10^5	9.07×10^5	4.03×10^6

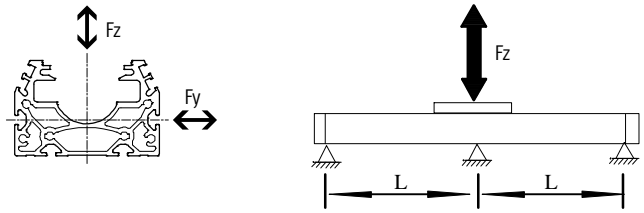
Toothed belt axes ELGA-TB-G, with plain-bearing guide

Technical data

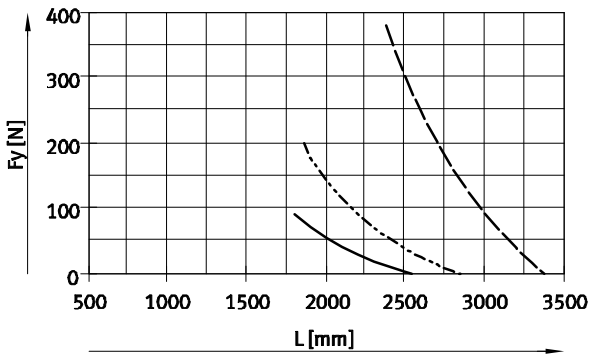
Maximum permissible support span L (without profile mounting MUE/central support EAHF) as a function of force F

In order to limit deflection in the case of large strokes, the axis may need to be supported.

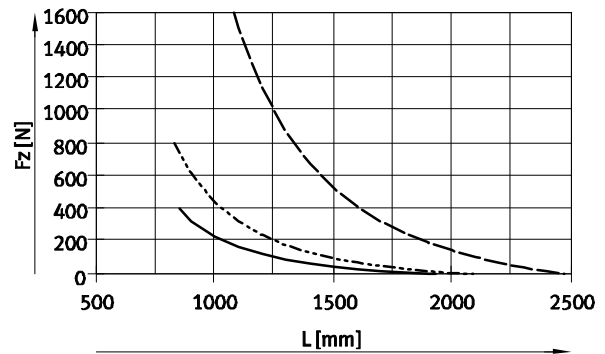
The following graphs can be used to determine the maximum permissible support span l as a function of force F acting on the axis. The deflection is $f = 0.5 \text{ mm}$.



Force Fy



Force Fz



- ELGA-TB-G-70
- - - ELGA-TB-G-80
- · - ELGA-TB-G-120

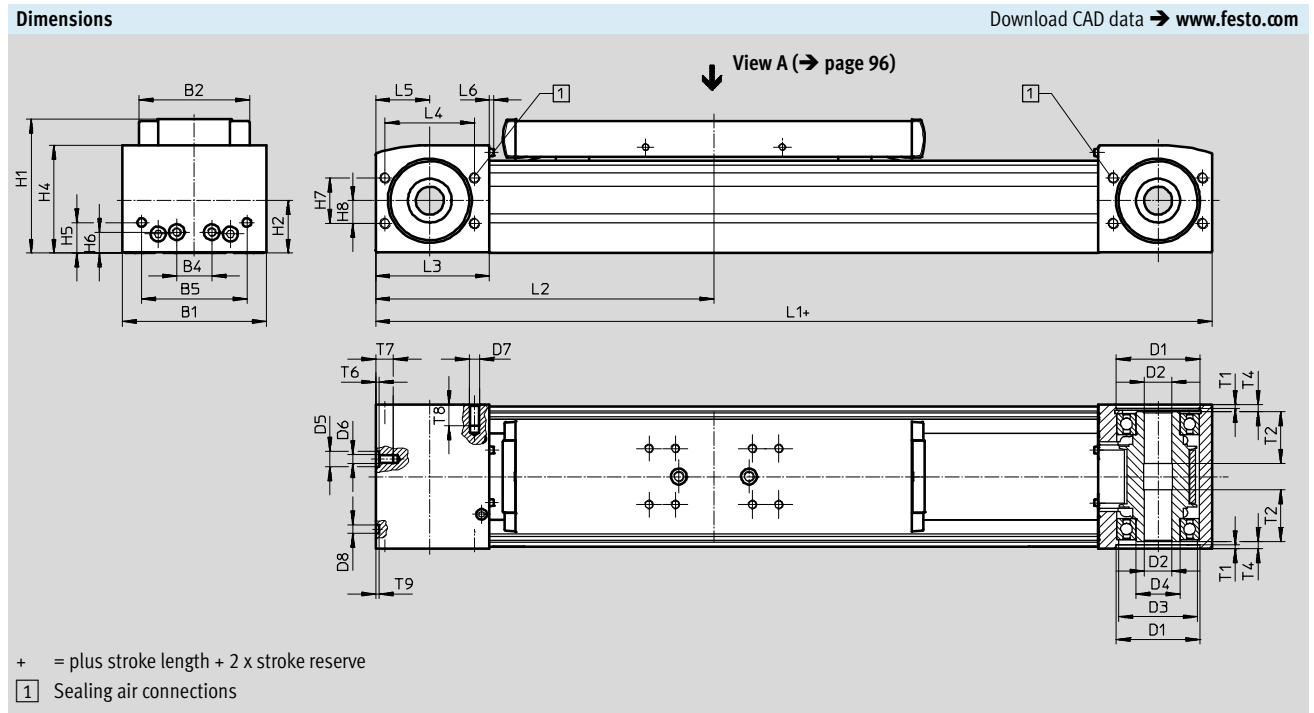
Recommended deflection limits

Adherence to the following deflection limits is recommended so as not to impair the functional performance of the axes. Greater deformation can result in increased friction, greater wear and reduced service life.

Size	Dyn. deflection (moving load)	Stat. deflection (stationary load)
70 ... 120	0.05% of the axis length, max. 0.5 mm	0.1% of the axis length

Toothed belt axes ELGA-TB-G, with plain-bearing guide

Technical data



Size	B1	B2	B4	B5	D1 ∅ H7	D2 ∅ H7	D3 ∅	D4 ∅	D5 ∅ H7	D6	D7
70	69	48.2	30	45	38	16	34	25	–	M5	M6
80	82	63.2	20	60	48	16	45	25	9	M5	M6
120	120	95	80	40	80	23	72	45	–	M8	M8

Size	D8 ∅ H7	H1	H2	H4	H5	H6	H7	H8	L1	L2 Min.	L3
70	5	64	26.5	50.8	13	13	24	12	346	173	57.5
80	5	76.5	30	61.5	17.5	12	26	13	386	193	65
120	9	111.5	45	91	22	22	59	32	546	273	100

Size	L4	L5	L6	T1	T2	T4	T6	T7	T8	T9
70	42	27.5	2.3	2.1	18	7.15	–	10	12	3.1
80	51	31	2.3	2.1	29.5	4	2.1	10	12	2
120	76	50	2.5	3.1	29.5	4	–	16	16	2.1

Toothed belt axes ELGA-TB-G, with plain-bearing guide

Technical data

Dimensions Download CAD data → www.festo.com

Profile

Size 70

Size 80

Size 120

1 Sensor slot for proximity sensor

2 Mounting slot for slot nut:
for size 70, 80: slot nut NST-5-M5
for size 120: slot nut NST-8-M6

Size	B10	B11	H10
70	67	40	20
80	80	40	20
120	116	40	20

Note

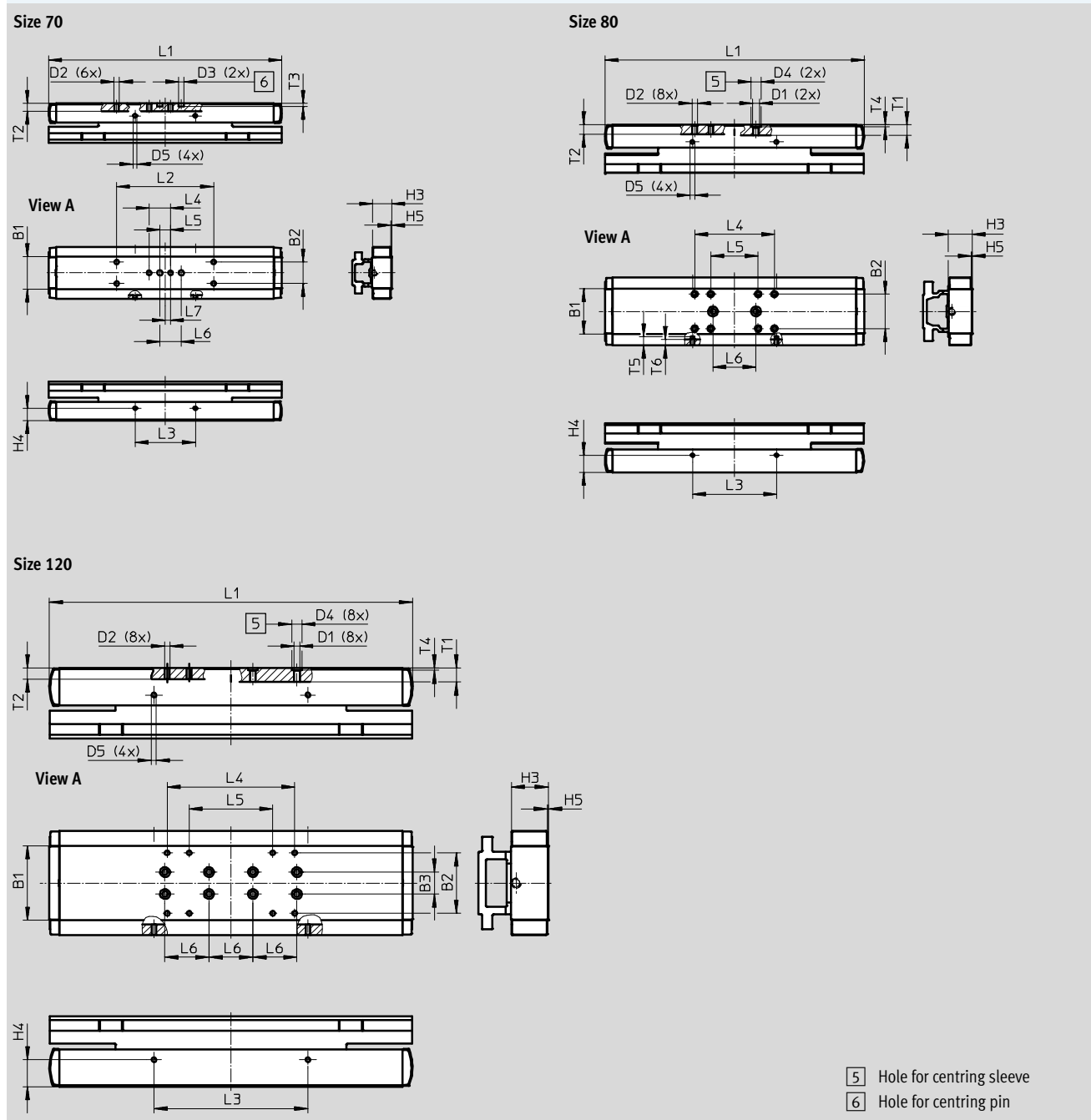
Requirements for the flatness of the bearing surface and of attachments as well as for use in parallel structures → www.festo.com/sp User Documentation

Toothed belt axes ELGA-TB-G, with plain-bearing guide

Technical data

Dimensions Download CAD data → www.festo.com

Slide



Toothed belt axes ELGA-TB-G, with plain-bearing guide

FESTO

Technical data

Size	B1	B2	B3	D1	D2	D3 ∅	D4 ∅	D5
70	30	20±0.1	–	–	M5	5 ^{H7}	–	M4
80	42	32±0.2	–	M6	M5	–	9 ^{H7}	M4
120	68	55±0.2	20±0.03	M6	M5	–	9 ^{H7}	M5

Size	H3	H4 ±0.1	H5	L1	L2 ±0.1	L3 ±0.1	L4	L5
70	17.7	11.7	1	216.6	90	56	20±0.1	10±0.1
80	22.2	16	1	240.6	–	78	74±0.2	44±0.2
120	33.8	24.5	1	330.4	–	140	116±0.2	76±0.2

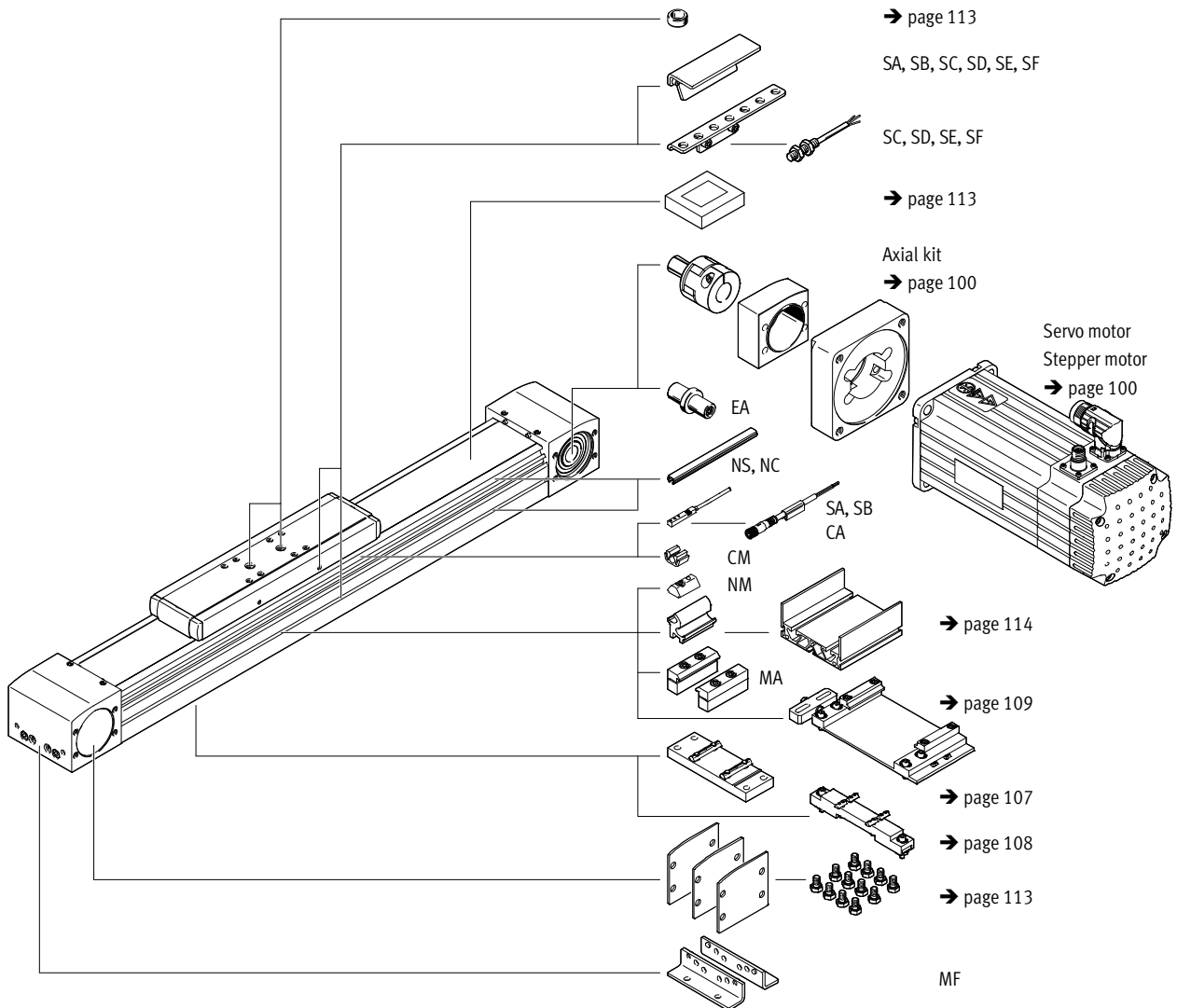
Size	L6 ±0.03	L7	T1	T2	T3 +0.1	T4 +0.1	T5	T6
70	20	5	–	7.5	3.1	–	–	–
80	40	–	9.7	9	–	2.1	8	6
120	40	–	12.8	10	–	2.1	–	–

Toothed belt axes ELGA-TB-G, with plain-bearing guide

Ordering data – Modular products



Accessories



Toothed belt axes ELGA-TB-G, with plain-bearing guide

Ordering data – Modular products

Ordering table						
Size	70	80	120	Condi- tions	Code	Entry code
M Module no.	570502	570503	570504			
Design	Linear axis				ELGA	ELGA
Function	Toothed belt				★ -TB	-TB
Guide	Plain-bearing guide				★ -G	-G
Size [mm]	70	80	120		★ -...	
Stroke length [mm]	1 ... 8500				★ -...	
Stroke reserve [mm]	0 ... 999 (0 = no stroke reserve)			1	★ -...H	
O Protection against particles	Standard				★	
	Without strip cover				★ -PO	
O Accessories	Accessories enclosed separately				+	+
Foot mounting	1				MF	
Profile mounting	1 ... 50				...MA	
Proximity sensor (SIES), inductive, slot type 8, PNP, incl. switch lug	N/O contact, 7.5 m cable	1 ... 6			...SA	
	N/C contact, 7.5 m cable	1 ... 6			...SB	
Proximity sensor (SIEN), inductive, M8, PNP, incl. switch lug with sensor bracket	N/O contact, 2.5 m cable	1 ... 99			...SC	
	N/C contact, 2.5 m cable	1 ... 99			...SD	
	N/O contact, plug connector M8	1 ... 99			...SE	
	N/C contact, plug connector M8	1 ... 99			...SF	
Connecting cable 2.5 m, M8, 3-wire	1 ... 99				...CA	
Sensor slot cover	1 ... 50 (1 = 2 units, 500 mm length)				...NS	
Mounting slot cover	1 ... 50 (1 = 2 units, 500 mm length)				...NC	
Slot nut for mounting slot	1 ... 99				...NM	
Clip for sensor slot	10, 20, 30, 40, 50, 60, 70, 80, 90				...CM	
Drive shaft	1 ... 4				...EA	
Operating instructions	With operating instructions					
	Without operating instructions				-DN	

1 ... H The sum of the nominal stroke and 2x stroke reserve must be at least 50 mm and must not exceed the maximum stroke length

The code SA, SB includes a switch lug in the scope of delivery. The code SC, SD, SE, SF includes one switch lug and max. two sensor brackets in the scope of delivery.

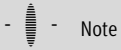
- M** Mandatory data
- O** Options

Transfer order code

Toothed belt axes ELGA-TB

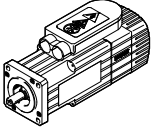
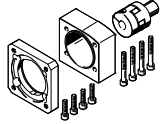
Accessories

FESTO



Note

Depending on the combination of motor and drive, it may not be possible to reach the maximum feed force of the drive.

Permissible axis/motor combinations with axial kit – Without gear unit		Technical data → Internet: eamm-a	
Motor ¹⁾	Axial kit		
			
Type	Part No.	Type	
ELGA-TB-...-70			
With servo motor			
EMMS-AS-70-...	1202331	EAMM-A-N38-70A	
With stepper motor			
EMMS-ST-87-...	★ 3324111	EAMM-A-N38-87A	
ELGA-TB-...-80			
With servo motor			
EMME-AS-100-...	1201894	EAMM-A-N48-100A	
EMMS-AS-100-...	1201894	EAMM-A-N48-100A	
ELGA-TB-...-120			
With servo motor			
EMMS-AS-140-...	1201691	EAMM-A-N80-140A	
ELGA-TB-...-150			
With servo motor			
EMMS-AS-140-...	3657226	EAMM-A-L95-140A-G2	
EMMS-AS-190-...	3659562	EAMM-A-L95-190A-G2	

1) The input torque must not exceed the maximum permissible transferable torque of the axial kit.

Festo core product range

- ★ Ready for dispatch from the Festo factory in 24 hours
- ☆ Ready for dispatch in 5 days maximum from stock

Toothed belt axes ELGA-TB

Accessories

Component parts of the axial kit – Without gear unit				
Axial kit	Comprises:			
	Motor flange	Coupling	Coupling housing	Screw set
Part No. Type	Part No. Type	Part No. Type	Part No. Type	
ELGA-TB-...-70				
1202331 EAMM-A-N38-70A	1202337 EAMF-A-38D-70A	558001 EAMD-32-32-11-16X20	1345947 EAMK-A-N38-38D	1202288 EAHM-L5-M6-35
★ 3324111 EAMM-A-N38-87A	3319868 EAMF-A-38D-87A	558001 EAMD-32-32-11-16X20	1345947 EAMK-A-N38-38D	1202288 EAHM-L5-M6-35
ELGA-TB-...-80				
1201894 EAMM-A-N48-100A	1201924 EAMF-A-48C-100A	558002 EAMD-42-40-19-16X25	1345949 EAMK-A-N48-48C	1201874 EAHM-L5-M6-50
ELGA-TB-...-120				
1201691 EAMM-A-N80-140A	1190796 EAMF-A-80A-140A	558005 EAMD-56-46-24-23X27	1345953 EAMK-A-N80-80A	1201751 EAHM-L5-M8-75
ELGA-TB-...-150				
3657226 EAMM-A-L95-140A-G2	558023 EAMF-A-95A-140A	558008 EAMD-67-51-24-32X32-U	3712650 EAMK-A-L95-95A/B-G2	567497 EAHM-L2-M8-80
3659562 EAMM-A-L95-190A-G2	1378473 EAMF-A-95A-190A	1379269 EAMD-67-51-32-32X32-U	3712650 EAMK-A-L95-95A/B-G2	567497 EAHM-L2-M8-80

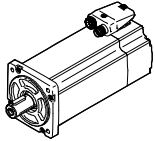
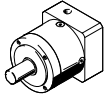
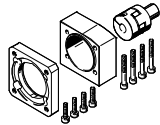
Note
 For the optimum selection of axis/
 motor combinations → PositioningDrives
 engineering software
www.festo.com

Festo core product range ★ Ready for dispatch from the Festo factory in 24 hours
 ☆ Ready for dispatch in 5 days maximum from stock

Toothed belt axes ELGA-TB

Accessories

FESTO

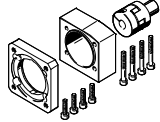
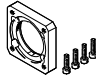
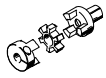
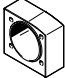

Permissible axis/motor combinations with axial kit – With gear unit		Technical data → Internet: eamm-a	
Motor ¹⁾	Gear units	Axial kit	
			
Type	Type	Part No.	Type
ELGA-TB-...-70			
With servo motor			
EMMS-AS-55-...	EMGA-60-P-G...-SAS-55	★ 1202253	EAMM-A-N38-60G
EMME-AS-60-...	EMGA-60-P-G...-EAS-60	1456616	EAMM-A-N38-60H
EMMS-AS-70-...	EMGA-60-P-G...-SAS-70	★ 1202253	EAMM-A-N38-60G
With stepper motor			
EMMS-ST-57-...	EMGA-60-P-G...-SST-57	★ 1202253	EAMM-A-N38-60G
With integrated drive			
EMCA-EC-67-...	EMGC-60-...	1456616	EAMM-A-N38-60H
ELGA-TB-...-80			
With servo motor			
EMMS-AS-55-...	EMGA-60-P-G...-SAS-55	★ 1972527	EAMM-A-N48-60G
EMME-AS-60-...	EMGA-60-P-G...-EAS-60	1456618	EAMM-A-N48-60H
EMMS-AS-70-...	EMGA-60-P-G...-SAS-70	★ 1972527	EAMM-A-N48-60G
EMMS-AS-70-...	EMGA-80-P-G...-SAS-70	★ 1258793	EAMM-A-N48-80G
EMME-AS-80-...	EMGA-80-P-G...-EAS-80	★ 1258793	EAMM-A-N48-80G
EMME-AS-100-...	EMGA-80-P-G...-SAS-100	★ 1258793	EAMM-A-N48-80G
EMMS-AS-100-...	EMGA-80-P-G...-SAS-100	★ 1258793	EAMM-A-N48-80G
With stepper motor			
EMMS-ST-57-...	EMGA-60-P-G...-SST-57	★ 1972527	EAMM-A-N48-60G
EMMS-ST-87-...	EMGA-80-P-G...-SST-87	★ 1258793	EAMM-A-N48-80G
With integrated drive			
EMCA-EC-67-...	EMGC-60-...	1456618	EAMM-A-N48-60H
ELGA-TB-...-120			
With servo motor			
EMMS-AS-70-...	EMGA-80-P-G...-SAS-70	★ 2372096	EAMM-A-N80-80G
EMME-AS-80-...	EMGA-80-P-G...-EAS-80	★ 2372096	EAMM-A-N80-80G
EMME-AS-100-...	EMGA-80-P-G...-SAS-100	★ 2372096	EAMM-A-N80-80G
EMMS-AS-100-...	EMGA-80-P-G...-SAS-100	★ 2372096	EAMM-A-N80-80G
EMME-AS-100-...	EMGA-120-P-G...-SAS-100	★ 1201695	EAMM-A-N80-120G
EMMS-AS-100-...	EMGA-120-P-G...-SAS-100	★ 1201695	EAMM-A-N80-120G
EMMS-AS-140-...	EMGA-120-P-G...-SAS-140	★ 1201695	EAMM-A-N80-120G
With stepper motor			
EMMS-ST-87-...	EMGA-80-P-G...-SST-87	★ 2372096	EAMM-A-N80-80G
ELGA-TB-...-150			
With servo motor			
EMMS-AS-70-...	EMGA-80-P-G...-SAS-70	3660191	EAMM-A-L95-80G-G2
EMME-AS-80-...	EMGA-80-P-G...-EAS-80	3660191	EAMM-A-L95-80G-G2
EMME-AS-100-...	EMGA-80-P-G...-SAS-100	3660191	EAMM-A-L95-80G-G2
EMMS-AS-100-...	EMGA-80-P-G...-SAS-100	3660191	EAMM-A-L95-80G-G2
EMME-AS-100-...	EMGA-120-P-G...-SAS-100	★ 3659941	EAMM-A-L95-120G-G2
EMMS-AS-100-...	EMGA-120-P-G...-SAS-100	★ 3659941	EAMM-A-L95-120G-G2
EMMS-AS-140-...	EMGA-120-P-G...-SAS-140	★ 3659941	EAMM-A-L95-120G-G2
With stepper motor			
EMMS-ST-87-...	EMGA-80-P-G...-SST-87	3660191	EAMM-A-L95-80G-G2

Festo core product range

- ★ Ready for dispatch from the Festo factory in 24 hours
- ☆ Ready for dispatch in 5 days maximum from stock

Toothed belt axes ELGA-TB

Accessories

Component parts of the axial kit – With gear unit				
Axial kit	Comprises:			
	Motor flange	Coupling	Coupling housing	Screw set
				
Part No. Type	Part No. Type	Part No. Type	Part No. Type	
ELGA-TB-...-70				
★ 1202253 EAMM-A-N38-60G	1190015 EAMF-A-38D-60G/H	558001 EAMD-32-32-11-16X20	1345947 EAMK-A-N38-38D	1202262 EAHM-L5-M6-40
1456616 EAMM-A-N38-60H	1190015 EAMF-A-38D-60G/H	1377840 EAMD-32-32-14-16X20	1345947 EAMK-A-N38-38D	1202262 EAHM-L5-M6-40
ELGA-TB-...-80				
★ 1972527 EAMM-A-N48-60G	1460111 EAMF-A-48C-60G/H	558001 EAMD-32-32-11-16X20	1345949 EAMK-A-N48-48C	4984529 EAHM-L5-M6-45
1456618 EAMM-A-N48-60H	1460111 EAMF-A-48C-60G/H	1377840 EAMD-32-32-14-16X20	1345949 EAMK-A-N48-48C	4984529 EAHM-L5-M6-45
★ 1258793 EAMM-A-N48-80G	1190375 EAMF-A-48C-80G	1781043 EAMD-42-40-20-16X25-U	1345949 EAMK-A-N48-48C	1201874 EAHM-L5-M6-50
ELGA-TB-...-120				
★ 2372096 EAMM-A-N80-80G	2372201 EAMF-A-80A-80G	558004 EAMD-56-46-20-23X27	1345953 EAMK-A-N80-80A	1201712 EAHM-L5-M8-60
★ 1201695 EAMM-A-N80-120G	1190702 EAMF-A-80A-120G	1188801 EAMD-56-46-25-23X27	1345953 EAMK-A-N80-80A	1201712 EAHM-L5-M8-60
ELGA-TB-...-150				
3660191 EAMM-A-L95-80G-G2	3305700 EAMF-A-95B-80G	3717812 EAMD-67-51-20-32X32-U	3712650 EAMK-A-L95-95A/B-G2	–
★ 3659941 EAMM-A-L95-120G-G2	3659724 EAMF-A-95A-120G-G2	558006 EAMD-67-51-25-32X32-U	3712650 EAMK-A-L95-95A/B-G2	567496 EAHM-L2-M8-70

 Note

For the optimum selection of axis/
motor combinations → www.festo.com

PositioningDrives
engineering software
www.festo.com

Festo core product range

- ★ Ready for dispatch from the Festo factory in 24 hours
- ☆ Ready for dispatch in 5 days maximum from stock

Toothed belt axes ELGA-TB

Accessories

FESTO

Drive shaft EAMB

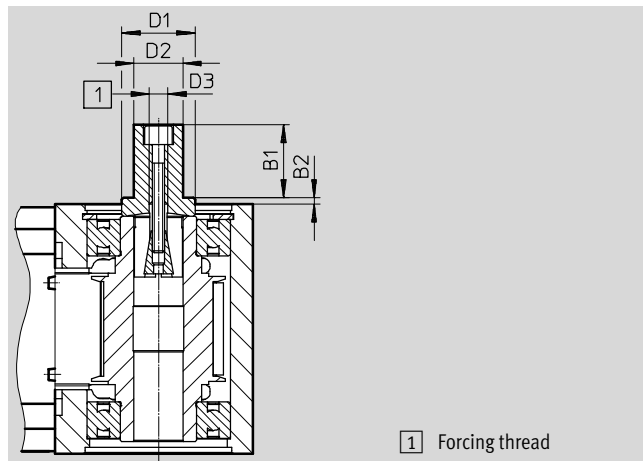
Alternative interface

For ELGA-TB-KF/-KF-F1

For ELGA-TB-RF/-RF-F1

For ELGA-TB-G

(order code EA)



Dimensions and ordering data								
For size	B1	B2	D1 Ø	D2 Ø	D3	Weight [g]	Part No.	Type
70	21	1.85	24	15	M6	70	1344642	EAMB-24-9-15X21-16X20
80	21	2	24	15	M6	70	558036	EAMB-24-6-15X21-16X20
120	26	2	34	25	M10	201	558037	EAMB-34-6-25X26-23X27
150	30	3	44	35	M12	463	558038	EAMB-44-7-35X30-32X32

Toothed belt axes ELGA-TB

Accessories



Foot mounting HPE

For ELGA-TB-KF/-KF-F1

For ELGA-TB-RF/-RF-F1

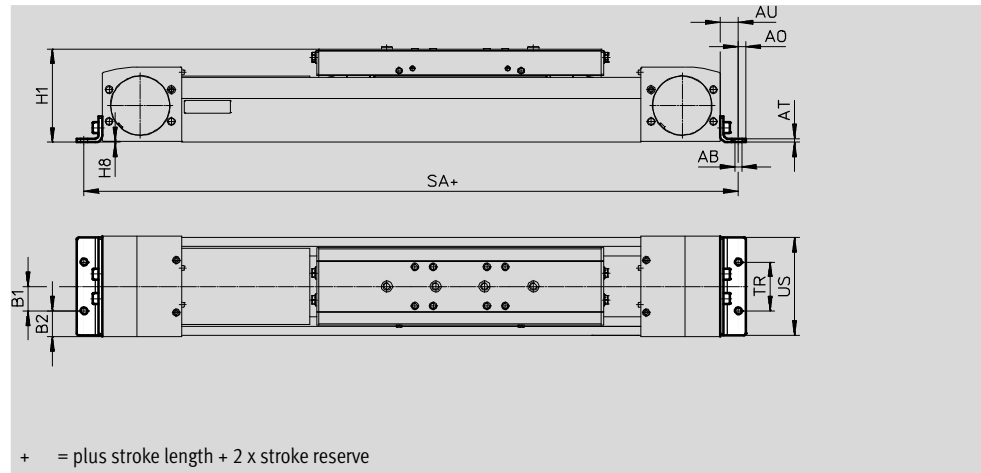
For ELGA-TB-G

(order code MF)

Materials:

Galvanised steel

RoHS-compliant



Dimensions and ordering data								
For size	AB ∅	A0	AT	AU	B1	B2	H1	H8
70	5.5	6	3	13	20	14.5	64	0.5
80	5.5	6	3	13	20	21	76.5	0.5
120	9	8	6	22	40	20	111.5	0.5
150	9	12	8	25	40	35	141.5	1

For size	SA					TR	US
	ELGA-TB-KF	ELGA-TB-RF	ELGA-TB-RF-S	ELGA-TB-RF-L	ELGA-TB-G		
70	372	446	368	546	372	40	67
80	416	610	526	750	416	40	80
120	590	819	717	1049	590	80	116
150	762	-	-	-	-	80	150

For size	Weight [g]	Part No.	Type
70	115	558321	HPE-70
80	150	558322	HPE-80
120	578	558323	HPE-120
150	1181	3002636	HPE-150

Toothed belt axes ELGA-TB

Accessories



Profile mounting MUE

For ELGA-TB-KF

For ELGA-TB-RF

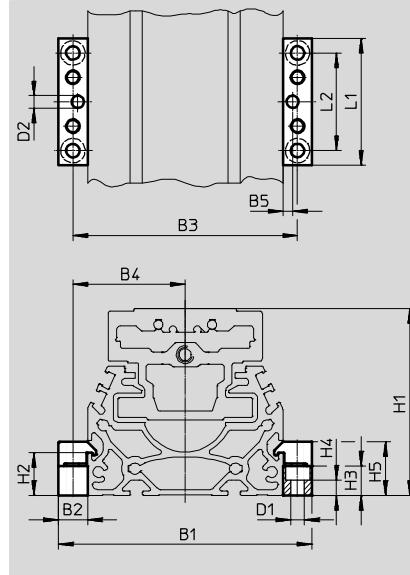
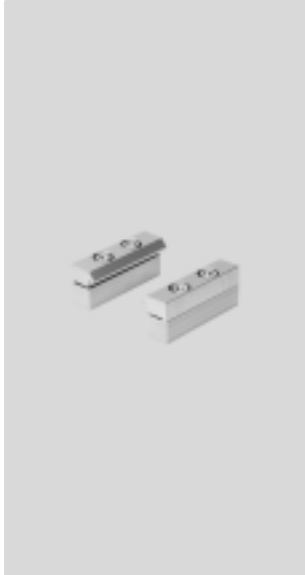
For ELGA-TB-G

(order code MA)

Materials:

Anodised aluminium

RoHS-compliant



Dimensions and ordering data									
For size	B1	B2	B3	B4	B5	D1 ∅	D2 ∅ H7	H1	H2
70	91	12	79	39.5	4	5.5	5	64	17.5
80	104	12	92	46	4	5.5	5	76.5	17.5
120	154	19	135	67.5	4	9	5	111.5	16
150	188	19	169	84.5	4	9	5	141.5	16

For size	H3	H4	H5	L1	L2	Weight [g]	Part No.	Type
70	12	6.2	22	52	40	80	★ 558043	MUE-70/80
80	12	6.2	22	52	40	80	★ 558043	MUE-70/80
120	14	5.5	29.5	90	40	290	★ 558044	MUE-120/185
150	14	5.5	29.5	90	40	290	★ 558044	MUE-120/185

Festo core product range

- ★ Ready for dispatch from the Festo factory in 24 hours
- ★ Ready for dispatch in 5 days maximum from stock

Toothed belt axes ELGA-TB

Accessories

Central support EAHF

For ELGA-TB-KF/-KF-F1

For ELGA-TB-RF/-RF-F1

For ELGA-TB-G

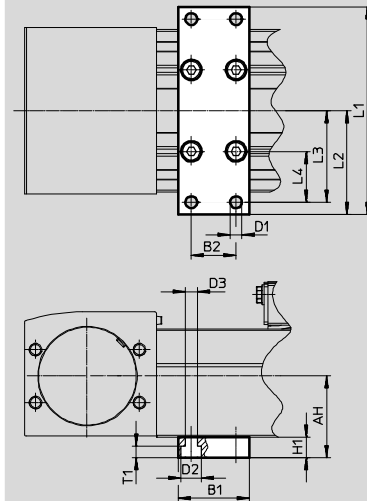
Material:

Anodised aluminium

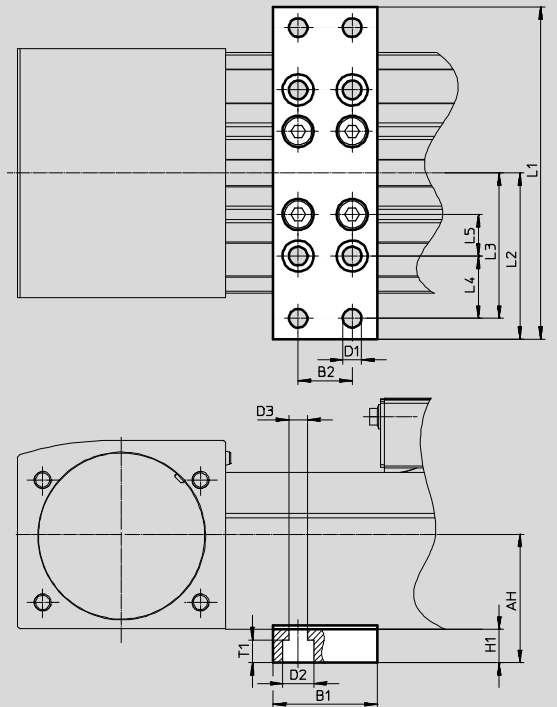
RoHS-compliant



Size 70, 80



Size 120, 150



Dimensions and ordering data

For size	AH	B1	B2	D1 ∅	D2 ∅	D3 ∅	H1	L1
70	36.5	35	22	5.8	10	5.8	10	102
80	40							112
120	61	50	26	9	15	9	16	160
150	74.6							200

For size	L2	L3	L4	L5	T1	Weight [g]	Part No.	Type
70	51	45	25	-	5.7	113	2349256	EAHF-L5-70-P
80	56	50	30			123	3535188	EAHF-L5-80-P
120	80	70	30	20	11	384	2410274	EAHF-L5-120-P
150	100	90	50	-		495	3535189	EAHF-L5-150-P

Toothed belt axes ELGA-TB

Accessories



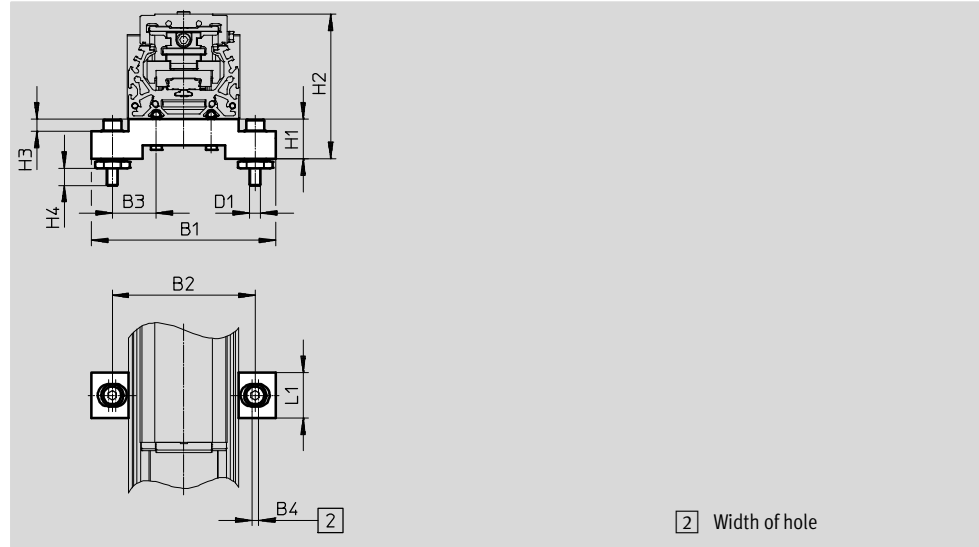
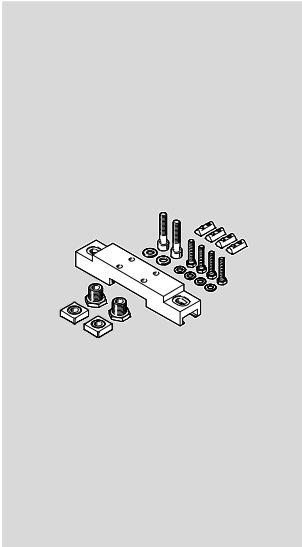
Adjusting kit EADC-E15

Materials:

EADC-E15-80/120: Wrought aluminium alloy

EADC-E15-185: Steel

RoHS-compliant



Dimensions and ordering data						
For size	B1	B2	B3	B4	D1	H1
70	134	104	32	5	M8	29
80	134	104	32	5	M8	29
120	170	140	50	5	M8	29
150	236	209	64.5	5	M8	29

For size	H2	H3	H4	L1	Weight [g]	Part No.	Type
70	93	9	12.6	33	386	8047566	EADC-E15-80-E7
80	105.5	9	12.6	33	386	8047566	EADC-E15-80-E7
120	140.5	9	12.6	33	388	8047567	EADC-E15-120-E7
150	170.5	9	12.6	33	569	8047568	EADC-E15-185-E7

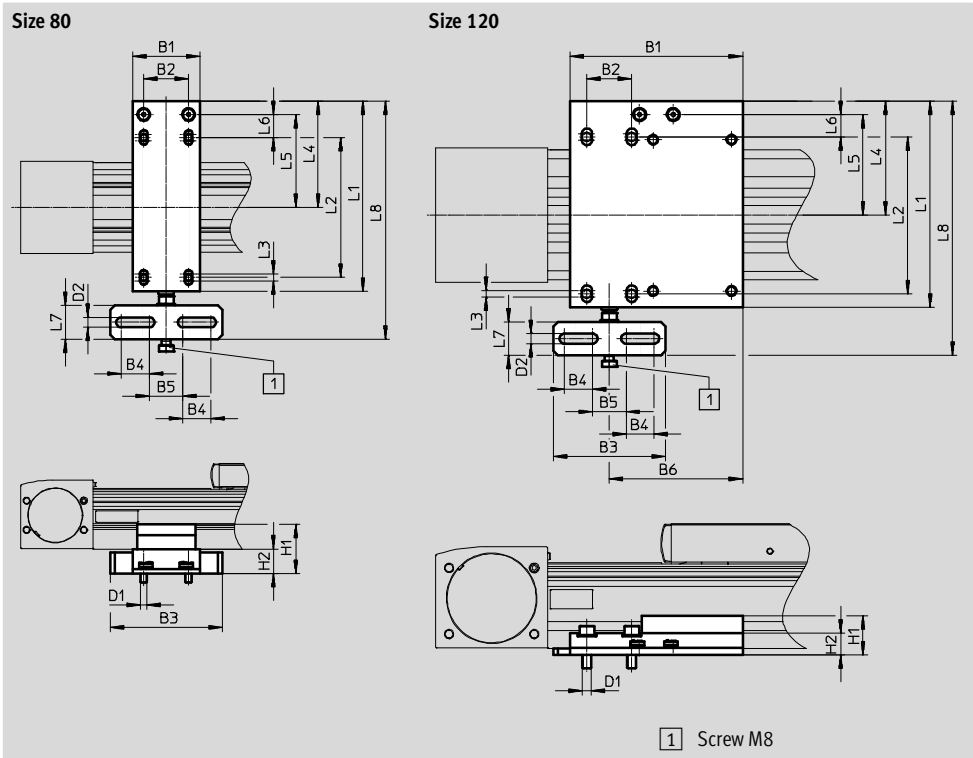
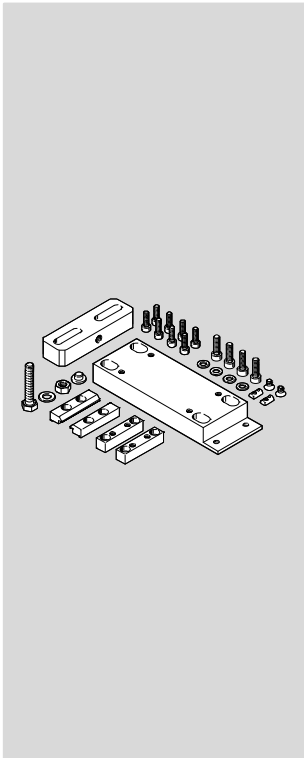
Toothed belt axes ELGA-TB

Accessories



Adjusting kit EADC-E16

Materials:
Wrought aluminium alloy
RoHS-compliant



Dimensions and ordering data												
For size	B1	B2	B3	B4	B5	B6	D1	D2	H1	H2	L1	L2
80	60	40	100	25	30	–	M6	9	44	22	170	125
120	154	40	100	25	30	119	M8	9	35.1	19.6	184	140

	L3	L4	L5	L6	L7	L8	Weight [g]	Part-No.	Type
80	6	95	83	20.5	30	212.5	828	8047577	EADC-E16-80-E7
120	6	101.7	89.7	20	30	227	1134	8047578	EADC-E16-120-E7

Toothed belt axes ELGA-TB

Accessories

Switch lug SF-EGC-1

For sensing via proximity sensor
SIES-8M

For ELGA-TB-KF

For ELGA-TB-RF

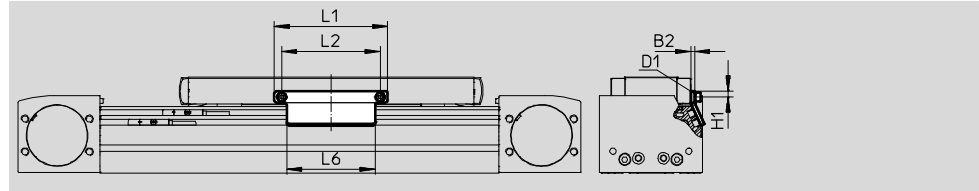
For ELGA-TB-G

(order code SA or SB)

Materials:

Galvanised steel

RoHS-compliant



Dimensions and ordering data									
For size	B2	D1	H1	L1	L2	L6	Weight [g]	Part No.	Type
70	3	M4	4.65	70	56	50	50	★ 558047	SF-EGC-1-70
80	3	M4	4.65	90	78	70	63	★ 558048	SF-EGC-1-80
120	3	M5	8	170	140	170	147	★ 558049	SF-EGC-1-120
150	3	M5	10	230	200	230	246	★ 558051	SF-EGC-1-185

Toothed belt axes ELGA-TB

Accessories



Switch lug SF-EGC-2

For sensing with proximity sensor SIEN-M8B (order code SC, SD, SE or SF) or SIES-8M
For ELGA-TB-KF
For ELGA-TB-RF
For ELGA-TB-G

Material:

Galvanised steel
RoHS-compliant

Sensor bracket HWS-EGC

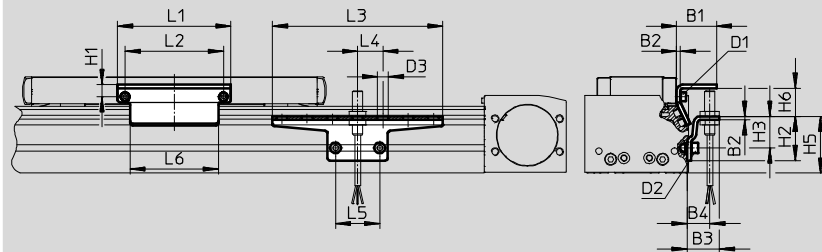
For proximity sensor SIEN-M8B (order code SC, SD, SE or SF)

Materials:

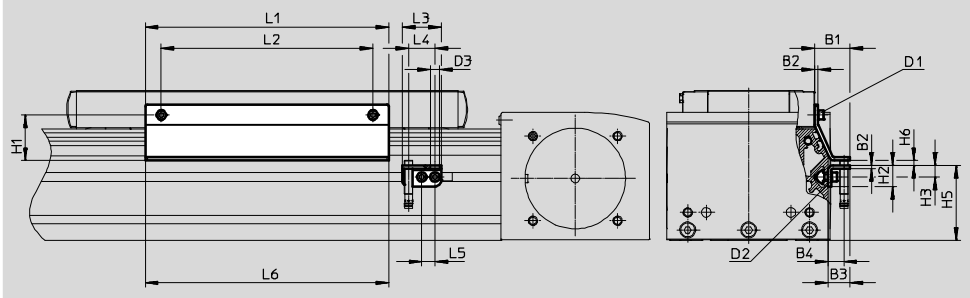
Galvanised steel
RoHS-compliant



For size 70, 80, 120



For size 150



Dimensions and ordering data

For size	B1	B2	B3	B4	D1	D2	D3 Ø	H1	H2
70	31.5	3	25.5	18	M4	M5	8.4	9.5	35
80	31.5	3	25.5	18	M4	M5	8.4	9.5	35
120	32	3	25.5	18	M5	M5	8.4	13.2	65
150	33	3	21	15	M5	M5	8.4	43	20

For size	H3	H5	H6 Max.	L1	L2	L3	L4	L5	L6
70	25	45	13.5	70	56	135	20	35	50
80	25	45	23.5	90	78	135	20	35	70
120	55	75	24	170	140	215	20	35	170
150	11	71	4.5	230	200	37	25	12.5	230

For size	Weight [g]	Part No.	Type
Switch lug			
70	100	558052	SF-EGC-2-70
80	130	558053	SF-EGC-2-80
120	277	558054	SF-EGC-2-120
150	390	558056	SF-EGC-2-185

For size	Weight [g]	Part No.	Type
Sensor bracket			
70	110	558057	HWS-EGC-M5
80	110	558057	HWS-EGC-M5
120	217	570365	HWS-EGC-M8-B
150	58	560517	HWS-EGC-M8KURZ

Note

The proximity sensors SIEN-M8B cannot be mounted in the area of the profile mounting MUE.

Toothed belt axes ELGA-TB

Accessories



Switch lug EAPM

For sensing via proximity sensor
SME-8M

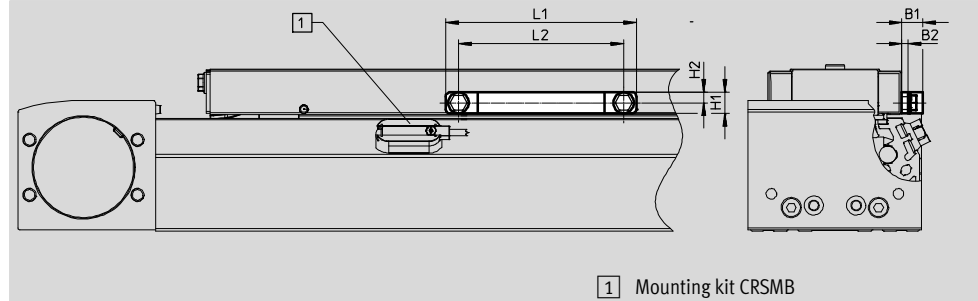
For ELGA-TB-KF-F1

For ELGA-TB-RF-F1

Materials:

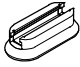
Wrought aluminium alloy

RoHS-compliant





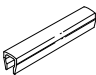
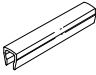

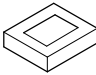
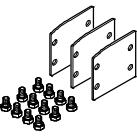
1 Mounting kit CRSMB

Dimensions and ordering data									
For size	B1	B2	H1	H2	L1	L2	Weight [g]	Part No.	Type
70	10	3	10	5	70	56	46	2417032	EAPM-L5-70-SLM
80	10	3	10	5	90	78	66	2671318	EAPM-L5-80-SLM
120	10	3	16	8	170	140	146	2671326	EAPM-L5-120-SLM

Ordering data				
	For size	Description	Part No.	Type
Mounting kit CRSMB				
	70 ... 120	<ul style="list-style-type: none"> • For proximity sensor SME-8M • For ELGA-TB-KF-F1 • For ELGA-TB-RF-F1 	525565	CRSMB-8-32

Toothed belt axes ELGA-TB

Accessories

Ordering data						
	For size	Description	Order code	Part No.	Type	PU ¹⁾
Slot nut NST						
	70, 80	<ul style="list-style-type: none"> For mounting slot For ELGA-TB-KF/-KF-F1 For ELGA-TB-RF/-RF-F1 	NM	150914	NST-5-M5	1
			-	8047843	NST-5-M5-10	10
			-	8047878	NST-5-M5-50	50
	120, 150	<ul style="list-style-type: none"> For ELGA-TB-G 	NM	150915	NST-8-M6	1
			-	8047868	NST-8-M6-10	10
			-	8047869	NST-8-M6-50	50
Centring pin ZBS/centring sleeve ZBH²⁾						
	For ELGA-TB-KF/-KF-F1					
	70	For slide	-	150928	ZBS-5	10
	70, 80, 120, 150			150927	ZBH-9	
	For ELGA-TB-RF/-RF-F1					
	70, 80, 120	For slide	-	150927	ZBH-9	10
	For ELGA-TB-G					
70	For slide	-	150928	ZBS-5	10	
80, 120			150927	ZBH-9		
Slot cover ABP						
	70, 80	<ul style="list-style-type: none"> For mounting slot Every 0.5 m For ELGA-TB-KF/-KF-F1 For ELGA-TB-RF/-RF-F1 For ELGA-TB-G 	NC	151681	ABP-5	2
	120, 150			151682	ABP-8	
Slot cover ABP-S						
	70 ... 150	<ul style="list-style-type: none"> For sensor slot Every 0.5 m For ELGA-TB-KF For ELGA-TB-RF For ELGA-TB-G 	NS	563360	ABP-5-S1	2
Clip SMBK						
	70 ... 150	<ul style="list-style-type: none"> For sensor slot, for attaching the proximity sensor cables For ELGA-TB-KF For ELGA-TB-RF For ELGA-TB-G 	CM	534254	SMBK-8	10
Clamping component EADT						
	70, 80	Tool for retensioning the cover strip	-	8058451	EADT-S-L5-70	1
	120, 150			8058450	EADT-S-L5-120	
Cover kit EASC						
	70	For covering the sides of the drive cover	-	8049255	EASC-L5-70	3
	80			8049254	EASC-L5-80	
	120			8049253	EASC-L5-120	
	150			8049244	EASC-L5-150	

1) Packaging unit

2) 2 centring pins/sleeves included in the scope of delivery of the axis

Toothed belt axes ELGA-TB

Accessories

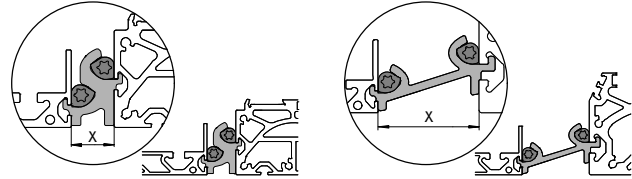


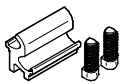

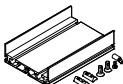
Mounting options between axis and support profile

Depending on the adapter kit, the spacing between the axis and the support profile is:
x = 20 mm or 50 mm

The support profile must be mounted using at least 2 adapter kits. For longer strokes, an adapter kit must be used every 500 mm.

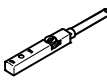
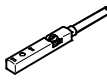
Example:



Ordering data					
	For size	Description	Part No.	Type	PU ¹⁾
Adapter kit DHAM					
	80	<ul style="list-style-type: none"> For mounting the support profile on the axis Spacing between axis and profile is 20 mm For ELGA-TB-KF For ELGA-TB-RF For ELGA-TB-G 	562241	DHAM-ME-N1-CL	1
	120, 150		562242	DHAM-ME-N2-CL	
	70, 80	<ul style="list-style-type: none"> For mounting the support profile on the axis Spacing between axis and profile is 50 mm For ELGA-TB-KF For ELGA-TB-RF For ELGA-TB-G 	574560	DHAM-ME-N1-50-CL	1
	120, 150		574561	DHAM-ME-N2-50-CL	
Support profile HMIA					
	70 ... 150	<ul style="list-style-type: none"> For guiding an energy chain For ELGA-TB-KF For ELGA-TB-RF For ELGA-TB-G 	539379	HMIA-E07-	1

1) Packaging unit

Proximity sensors for ELGA-TB-KF, ELGA-TB-RF, ELGA-TB-G

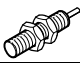
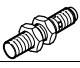
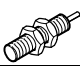

Ordering data – Proximity sensor for T-slot, inductive							Technical data → Internet: sies	
	Type of mounting	Electrical connection	Switching output	Cable length [m]	Order code	Part No.	Type	
N/O contact								
	Insertable in the slot from above, flush with the cylinder profile	Cable, 3-wire	PNP	7.5	SA	551386	SIES-8M-PS-24V-K-7,5-OE	
		Plug connector M8x1, 3-pin		0.3	–	551387	SIES-8M-PS-24V-K-0,3-M8D	
		Cable, 3-wire	NPN	7.5	–	551396	SIES-8M-NS-24V-K-7,5-OE	
		Plug connector M8x1, 3-pin		0.3	–	551397	SIES-8M-NS-24V-K-0,3-M8D	
N/C contact								
	Insertable in the slot from above, flush with the cylinder profile	Cable, 3-wire	PNP	7.5	SB	551391	SIES-8M-PO-24V-K-7,5-OE	
		Plug connector M8x1, 3-pin		0.3	–	551392	SIES-8M-PO-24V-K-0,3-M8D	
		Cable, 3-wire	NPN	7.5	–	551401	SIES-8M-NO-24V-K-7,5-OE	
		Plug connector M8x1, 3-pin		0.3	–	551402	SIES-8M-NO-24V-K-0,3-M8D	

Toothed belt axes ELGA-TB

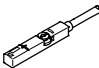
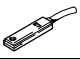
Accessories

FESTO



Proximity sensors for ELGA-TB-KF, ELGA-TB-RF, ELGA-TB-G

Ordering data – Proximity sensor M8 (round design), inductive							Technical data → Internet: sien	
	Electrical connection	LED	Switching output	Cable length [m]	Order code	Part No.	Type	
N/O contact								
	Cable, 3-wire	■	PNP	2.5	SC	★ 150386	SIEN-M8B-PS-K-L	
			NPN	2.5	–	★ 150384	SIEN-M8B-NS-K-L	
	Plug connector M8x1, 3-pin	■	PNP	–	SE	★ 150387	SIEN-M8B-PS-S-L	
			NPN	–	–	★ 150385	SIEN-M8B-NS-S-L	
N/C contact								
	Cable, 3-wire	■	PNP	2.5	SD	150390	SIEN-M8B-PO-K-L	
			NPN	2.5	–	150388	SIEN-M8B-NO-K-L	
	Plug connector M8x1, 3-pin	■	PNP	–	SF	150391	SIEN-M8B-PO-S-L	
			NPN	–	–	150389	SIEN-M8B-NO-S-L	

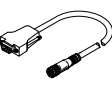
Proximity sensors for ELGA-TB-KF-F1, ELGA-TB-RF-F1

Ordering data – Proximity sensors for T-slot, magnetic reed						Technical data → Internet: sme		
	Type of mounting	Switching output	Electrical connection	Cable length [m]	Part No.	Type		
N/O contact								
	Insertable in the mounting kit from above	Contacting	Cable, 3-wire	2.5	★ 543862	SME-8M-DS-24V-K-2,5-OE		
				5.0	★ 543863	SME-8M-DS-24V-K-5,0-OE		
			Plug connector M8x1, 3-pin	Cable, 2-wire	2.5	★ 543872	SME-8M-ZS-24V-K-2,5-OE	
				0.3	★ 543861	SME-8M-DS-24V-K-0,3-M8D		
N/C contact								
	Insertable in the mounting kit lengthwise	Contacting	Cable, 3-wire	7.5	160251	SME-8-O-K-LED-24		

Connecting cables for ELGA-TB-...

Ordering data – Connecting cables					Technical data → Internet: nebu	
	Electrical connection, left	Electrical connection, right	Cable length [m]	Part No.	Type	
	Straight socket, M8x1, 3-pin	Cable, open end, 3-wire	2.5	159420	SIM-M8-3GD-2,5-PU	
			2.5	★ 541333	NEBU-M8G3-K-2.5-LE3	
			5	★ 541334	NEBU-M8G3-K-5-LE3	
	Angled socket, M8x1, 3-pin	Cable, open end, 3-wire	2.5	★ 541338	NEBU-M8W3-K-2.5-LE3	
			5	★ 541341	NEBU-M8W3-K-5-LE3	

Ordering data – Encoder cables for displacement encoder ELGA-...-M1/-M2

Ordering data – Encoder cables for displacement encoder ELGA-...-M1/-M2					Technical data → Internet: nebm	
	Electrical connection, left	Electrical connection, right	Cable length [m]	Part No.	Type	
	Displacement encoder ELGA-...-M1/-M2	Motor controller CMMP-AS	5	1599105	NEBM-M12G8-E-5-S1G9-V3	
			10	1599106	NEBM-M12G8-E-10-S1G9-V3	
			15	1599107	NEBM-M12G8-E-15-S1G9-V3	
			χ ¹⁾	1599108	NEBM-M12G8-E-...-S1G9-V3	

1) Max. cable length 25 m.

Festo core product range

- ★ Ready for dispatch from the Festo factory in 24 hours
- ☆ Ready for dispatch in 5 days maximum from stock