

Installation guide

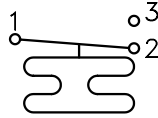
Heavy duty pressure switch Types MBC 5000 and MBC 5100

061R9318

061R9318

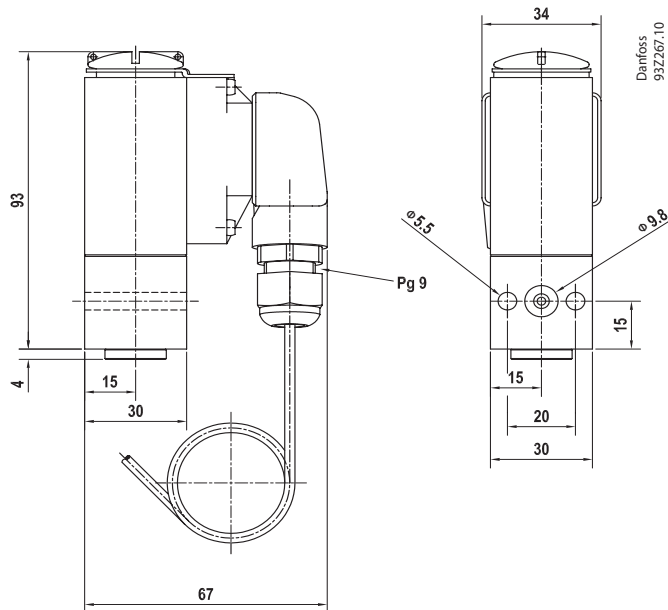
Electrical connection

AC 15: 0.5A 250V
DC 13: 12W 125V

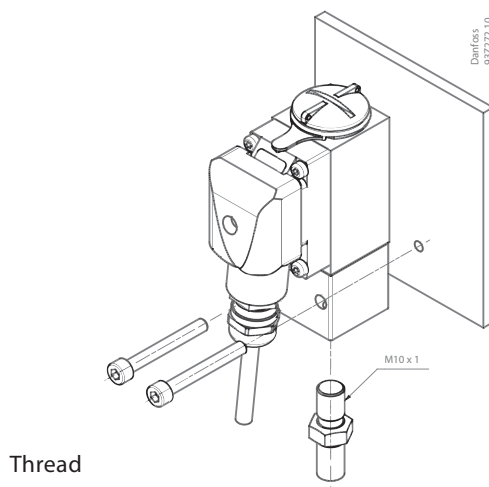


Terminal	Wire colour
1: Input	Black
2: Normally closed (NC)	Brown
3: Normally open (NO)	Blue
Ground	Shield

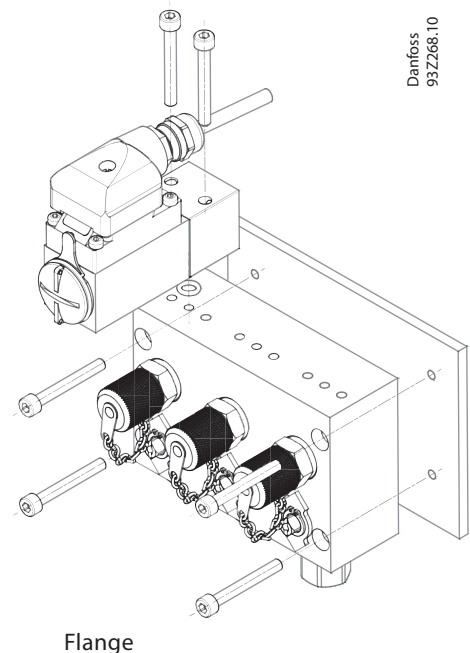
Dimensions



Mounting and pressure connection

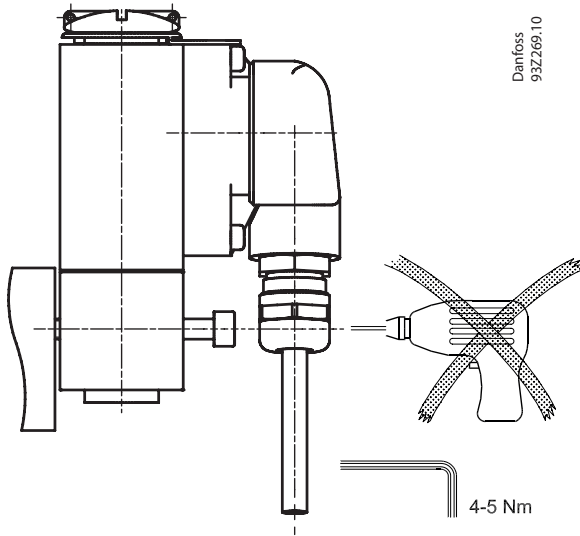


Thread

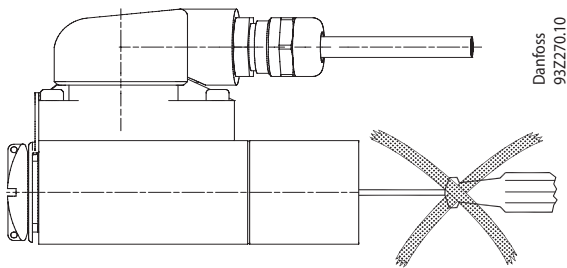


Flange

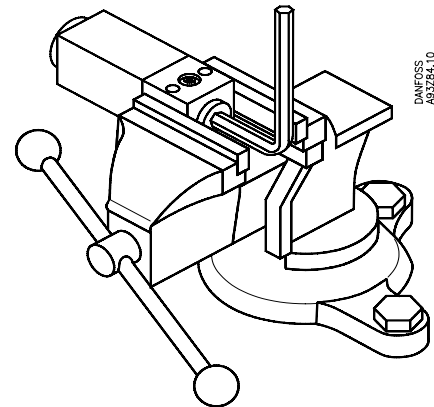
In environments that have excessive vibrations such as fast running engines, gears and similar, Danfoss recommends that the product is mounted on a heavy solid base, like the engine frame. It is also strongly recommended that the inlet pressure tube is secured to the same solid base in order to avoid inlet tube vibrations.



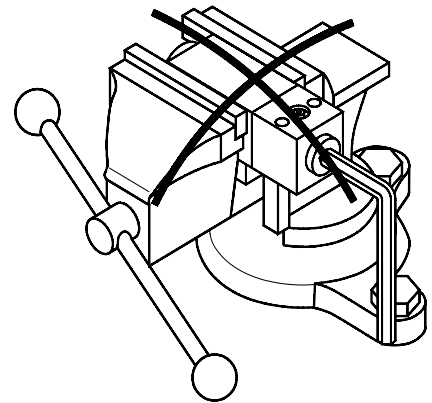
Danfoss
93Z269.10



Danfoss
93Z270.10



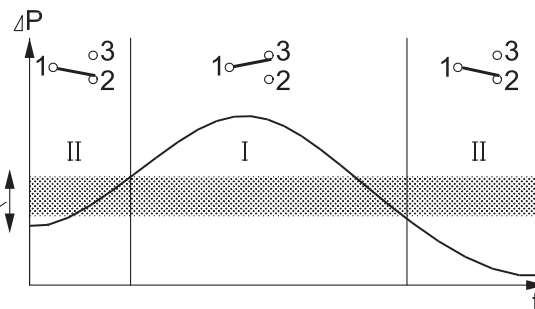
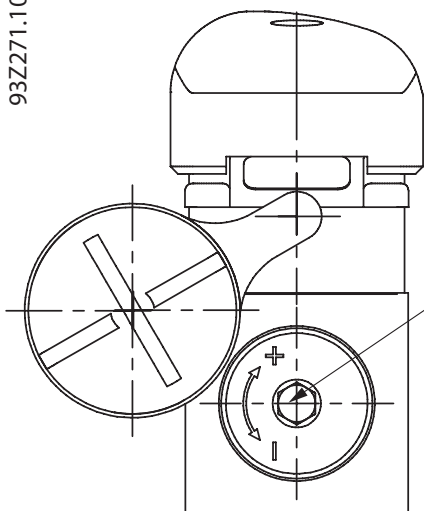
DANFOSS
93Z284.10



DANFOSS
93Z285.10

Operation temperature	-40 °C – 85 °C	Bellows and piston version	One full turn (360°) of the MBC setting screw is approx. equal to 7% of the full setting range.
	-10 °C – 85 °C	Diaphragm version	

Danfoss
93Z271.10



Mechanical differential