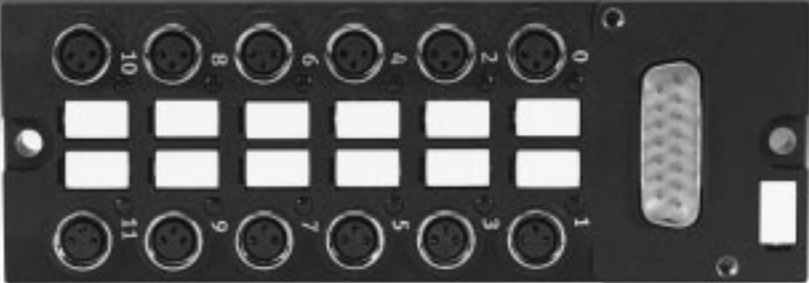


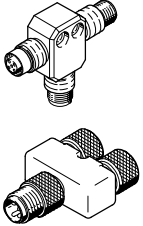
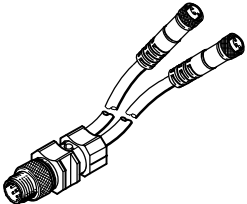
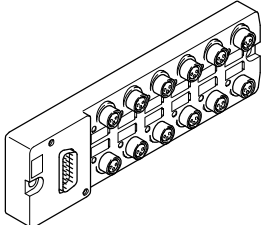
Distributor, universal



Distributor, universal

Product range overview



Function	Version	Version	Type	Connection technology	Protection class	→ Page/ Internet
T-distributor		Round plug M12				
		3-pin	NEDU-L2R1-V8-M12G5-M12G5	1x socket M12, 5-pin 1x plug M12, 2-pin	IP65, IP67	3
		4-pin	NEDU-M12D4-M12T4-IS	2x socket M12, 4-pin	IP65, IP67	5
		5-pin	FB-TA-M12	2x socket M12, 5-pin	IP67	7
NEDU-L2R1-V10-M12G5-M12G5	2x socket M12, 5-pin		IP65, IP67	7		
Y-connecting cable		Socket M12				
		8-pin	NEDU-L1R2-V9-M12G8-...	2x open cable end	IP65, IP67	9
Multiple distributor/ multi-pin plug distributor		Round plug M12				
		8-pin	NEDU-L4R1-M8G3L-M12G8	4x socket M8, 3-pin	IP68	12
			NEDU-L6R1-M8G3L-M12G8	6x socket M8, 3-pin	IP68	12
		Plug Sub-D				
		15-pin	MPV-E/A08-M8	8x socket M8, 3-pin	IP65	15
MPV-E/A12-M8	12x socket M8, 3-pin		IP65	15		

T-distributor, plug M12, 4-pin

Technical data

FESTO

Push-in T-connector NEDU-L2R1-V8

- T-adapter
- For IO-Link



General technical data	
Electrical connection 3	Straight plug, M12, 3-pin, A-coded
Electrical connection 1	Straight socket, M12, 5-pin, A-coded
Electrical connection 2	Straight plug, M12, 2-pin, A-coded
Type of mounting	Screw-in
Max. tightening torque [Nm]	0.6
Operating voltage range [V DC]	0 ... 30
Surge strength [kV]	1.5
Acceptable current load [A]	4
Protection class to EN 60529	IP65, IP67, in assembled state
Product weight [g]	28

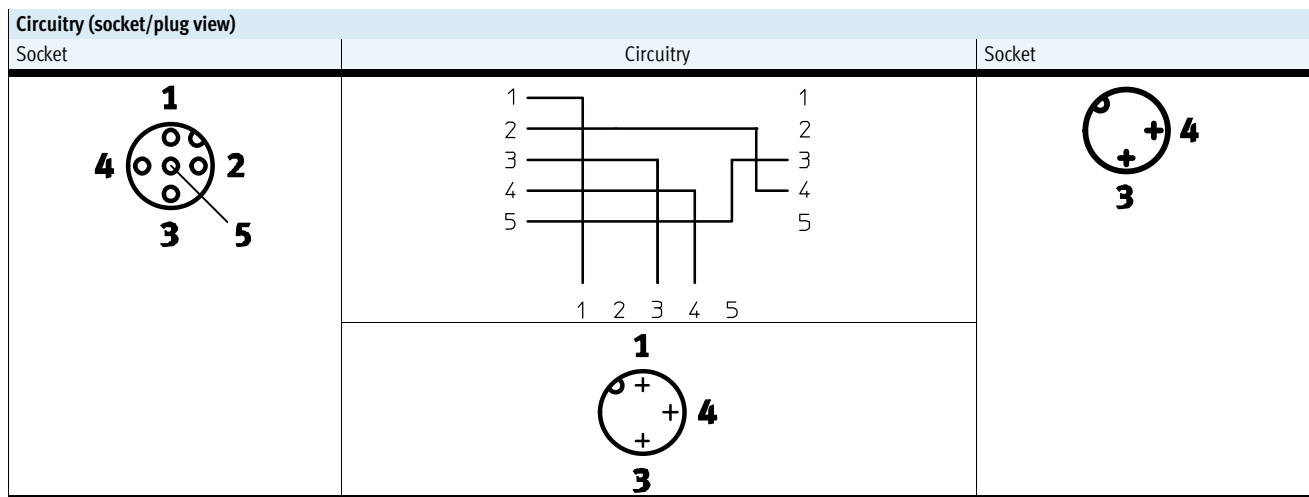
Materials	
Housing	TPE-U(PUR)
Housing colour	Black
Union nut	Die-cast zinc, nickel plated
Seals	FPM
Pin contacts	Gold-plated copper alloy
Note on materials	RoHS-compliant

Operating and environmental conditions	
Ambient temperature [°C]	-25 ... +85
Corrosion resistance class CRC ¹⁾	2
Degree of contamination	3

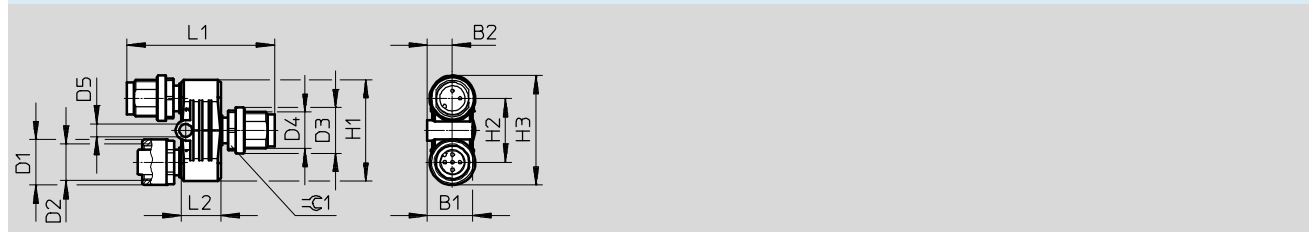
1) Corrosion resistance class 2 according to Festo standard 940 070
Components subject to moderate corrosion stress. Externally visible parts with primarily decorative surface requirements which are in direct contact with a normal industrial environment or media such as coolants or lubricating agents.

T-distributor, plug M12, 4-pin

Technical data



Dimensions Download CAD data → www.festo.com



Type	B1	B2	D1	D2	D3	D4	D5	H1	H2	H3	L1	L2	±1
NEDU-L2R1-V8	15	8.3	15	M12	15	M12	4.2	33.3	21	36	48.5	13.2	13

Ordering data

Electrical connection	Product weight [g]	Part No.	Type
Plug M12 A-coded, 3-pin	28	2839846	NEDU-L2R1-V8-M12G5-M12G5
1x socket M12 A-coded, 5-pin 1x plug M12 A-coded, 2-pin			

T-distributor, plug M12, 4-pin

Technical data

Push-in T-connector NEDU-M

• T-adapter



General technical data		
Type of mounting		Screw-in
Connection frequency		100
Operating voltage range	[V DC]	0 ... 30
Protection class to EN 60529		IP65, IP67
Based on standard		EN 61076-2-101
Max. tightening torque	[Nm]	0.5
Product weight	[g]	25.5

Materials	
Type	NEDU-M12D4-M12T4-IS
Housing	Reinforced TPE-U(PU) Die-cast zinc
Pin contacts	Gold-plated copper alloy
Union nut	PA reinforced
Seals	FPM
Note on materials	RoHS-compliant

Operating and environmental conditions		
Ambient temperature	[°C]	-25 ... +85
Corrosion resistance class CRC		3 ¹⁾

1) Corrosion resistance class 3 according to Festo standard 940 070
Components subject to high corrosion stress. Externally visible parts with primarily functional surface requirements which are in direct contact with a normal industrial environment or media such as solvents and cleaning agents.

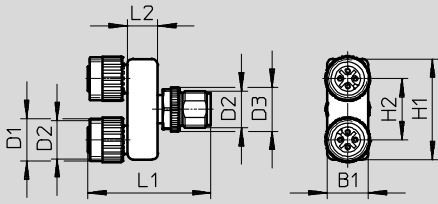
Circuitry (socket/plug view)		
Socket	Circuitry	Socket

T-distributor, plug M12, 4-pin

Technical data

Dimensions

Download CAD data → www.festo.com



Type	B1	D1 Ø	D2	D3 Ø	H1	H2	L1	L2
NEDU-M12D4-M12T4-IS	13.5	14	M12	14.4	33	20	40.3	10

Ordering data

Electrical connection		Part No.	Type
Plug M12, A-coded, 4-pin	2x socket M12, A-coded, 4-pin	562248	NEDU-M12D4-M12T4-IS

T-distributor, plug M12, 5-pin

Technical data

T-adapter
FB-TA
NEDU-L2R1-V10

- T-adapter
- Branch line for connecting and disconnecting fieldbus components
- Connected fieldbus components can be disconnected without interrupting signal transmission (to other components)



General technical data		
Type	FB-TA	NEDU-L2R1-V10
Electrical connection 3	Plug, M12, 5-pin	Straight plug, M12, 5-pin, A-coded
Electrical connection 1	Socket, M12, 5-pin	Straight socket, M12, 5-pin, A-coded
Electrical connection 2	Socket, M12, 5-pin	Straight socket, M12, 5-pin, A-coded
Type of mounting	Via through-hole	Screw-in
Max. tightening torque [Nm]	–	0.6
Operating voltage range [V DC]	10 ... 30	0 ... 30
Surge strength [kV]	–	1.5
Acceptable current load [A]	4	4
Protection class to EN 60529	IP67, in assembled state	IP65, IP67, in assembled state

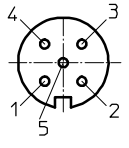
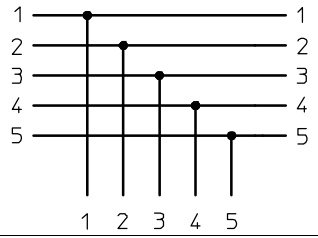
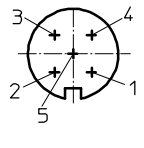
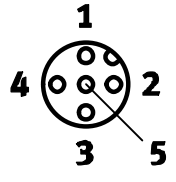
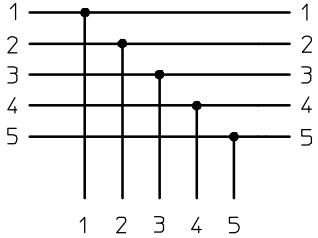
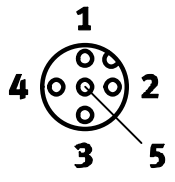
Materials		
Type	FB-TA	NEDU-L2R1-V10
Housing	–	TPE-U(PUR)
Housing colour	–	Black
Union nut	–	Die-cast zinc, nickel plated
Seals	–	FPM
Pin contacts	–	Gold-plated copper alloy
Note on materials	–	RoHS-compliant

Operating and environmental conditions		
Type	FB-TA	NEDU-L2R1-V10
Ambient temperature [°C]	–25 ... +90	–25 ... +85
Corrosion resistance class CRC ¹⁾	–	2
Degree of contamination	–	3

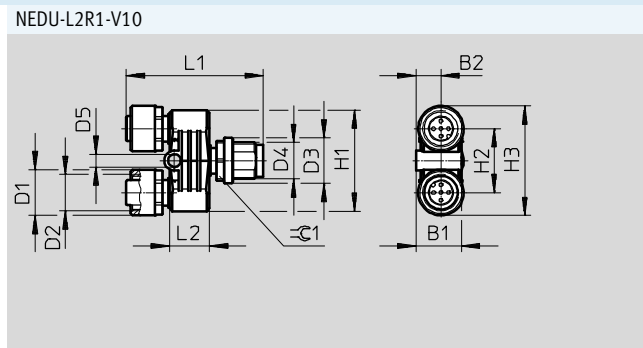
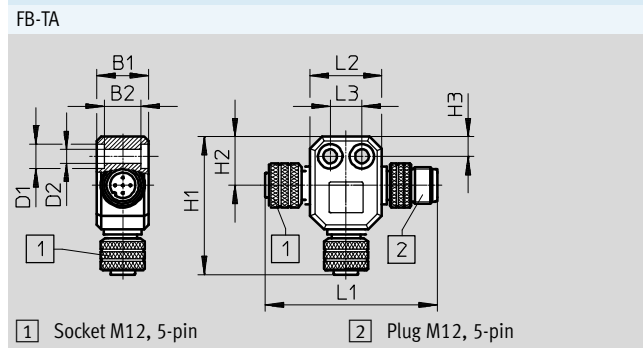
1) Corrosion resistance class 2 according to Festo standard 940 070
 Components subject to moderate corrosion stress. Externally visible parts with primarily decorative surface requirements which are in direct contact with a normal industrial environment or media such as coolants or lubricating agents.

T-distributor, plug M12, 5-pin

Technical data

Circuitry (socket/plug view)			
	Circuitry		
FB-TA			
NEDU-L2R1-V10			

Dimensions Download CAD data → www.festo.com



Type	B1	B2	D1	D2	D3	D4	D5	H1	H2	H3	L1	L2	L3	≈C 1
FB-TA	17	12	8	4.5	-	-	-	45.2	16	6.5	57	23.5	10.4	-
NEDU-L2R1-V10	15	8.3	15	M12	15	M12	4.2	33.3	21	36	45	13.2	-	13

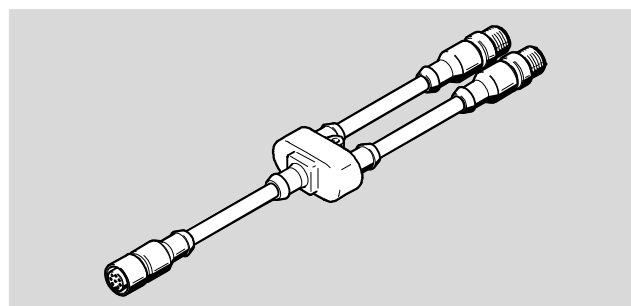
Ordering data			
Electrical connection	Product weight [g]	Part No.	Type
Plug M12, 5 pin	2x socket, M12, 5-pin	-	171175 FB-TA-M12-5POL
		25	2839867 NEDU-L2R1-V10-M12G5-M12G5

Y-connecting cable, socket M12, 8-pin

Technical data

Connecting cable NEBV-M12G8
DUO cable NEDU-L1R2-V9

- Y-connecting cable



General technical data		
Type	NEBV-M12G8	NEDU-L1R2-V9
Conforms to	EN 61076-2-101	–
Cable composition	[mm ²]	8x 0.25, screened
	[mm ²]	–
Cable diameter	[mm]	6.3
	[mm]	–
Cable length	[m]	3
		–
Assembly position	Any	Any
Operating voltage range	[V AC]	0 ... 30
	[V DC]	0 ... 30
Surge strength	[kV]	0.8
Acceptable current load at 40 °C	[A]	1.5
	[A]	2
Cable characteristics	Standard	–
Min. cable bending radius	[mm]	66
Protection class to EN 60529	IP67 in mounted status	IP65, IP67 in mounted status

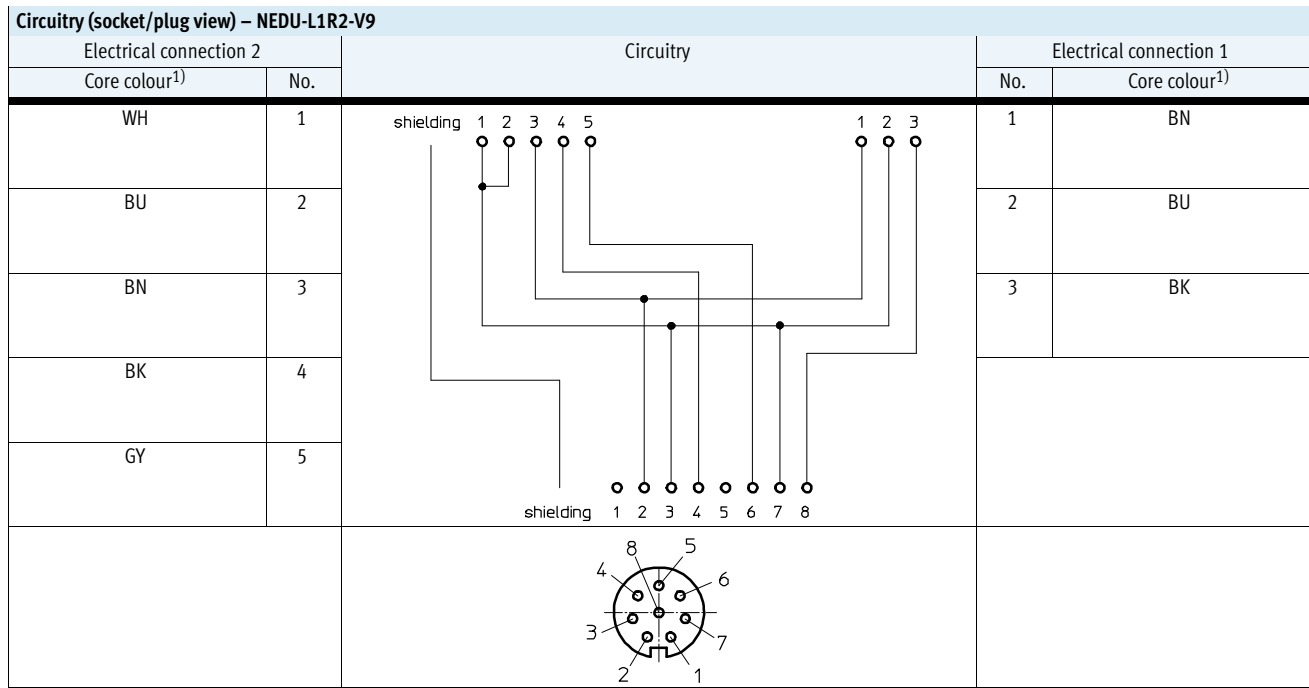
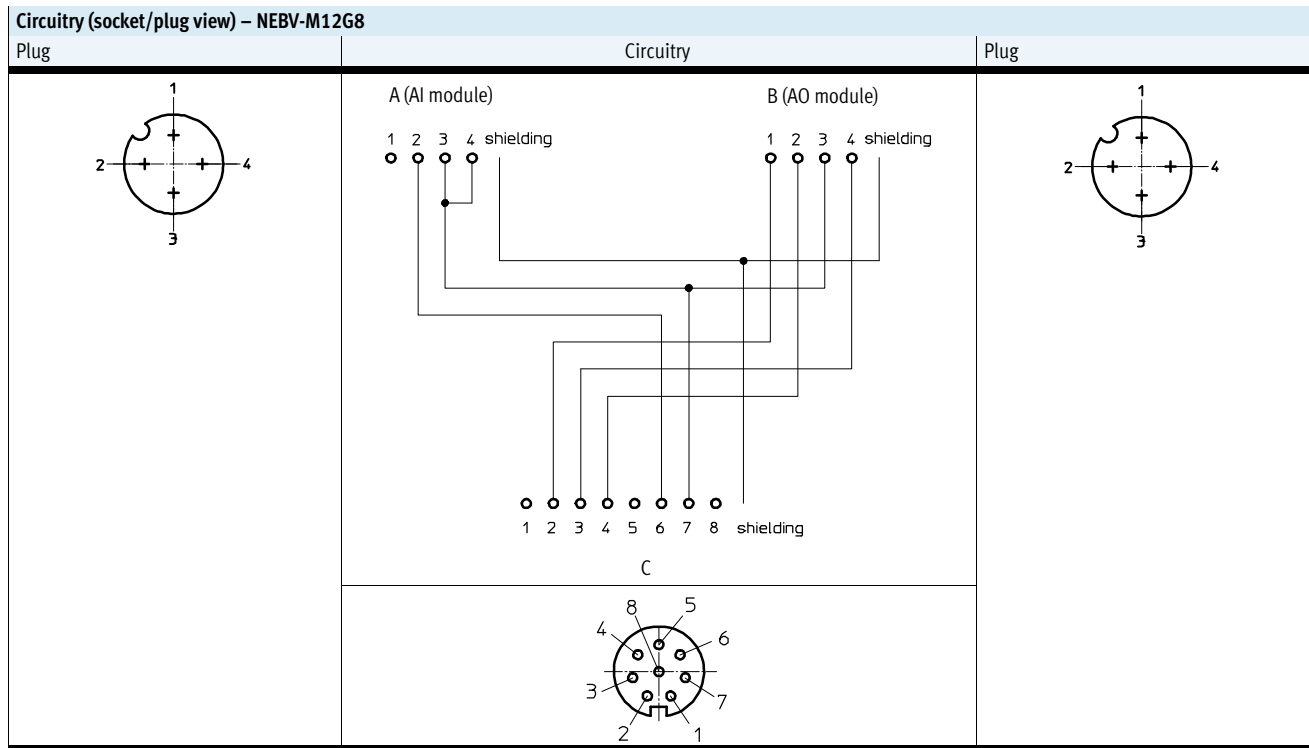
Materials		
Type	NEBV-M12G8	NEDU-L1R2-V9
Housing	TPE-U	TPE-U(PU), reinforced
Housing colour	–	Black
Cable sheath	TPE-U(PUR)	TPE-U(PUR)
Cable sheath colour	Grey	Black
Union nut	Nickel-plated brass	Nickel-plated brass
Seals	–	FPM
Plug contacts	Nickel-plated and gold-plated bronze	–
Note on materials	RoHS-compliant	RoHS-compliant

Operating and environmental conditions		
Type	NEBV-M12G8	NEDU-L1R2-V9
Ambient temperature	[°C]	–25 ... +85
Ambient temperature with flexible cable installation	[°C]	0 ... +80
Corrosion resistance class CRC ¹⁾	–	2
Degree of contamination	3	3

1) Corrosion resistance class 2 according to Festo standard 940 070
Components subject to moderate corrosion stress. Externally visible parts with primarily decorative surface requirements which are in direct contact with a normal industrial environment or media such as coolants or lubricating agents.

Y-connecting cable, socket M12, 8-pin

Technical data



1) To IEC 757

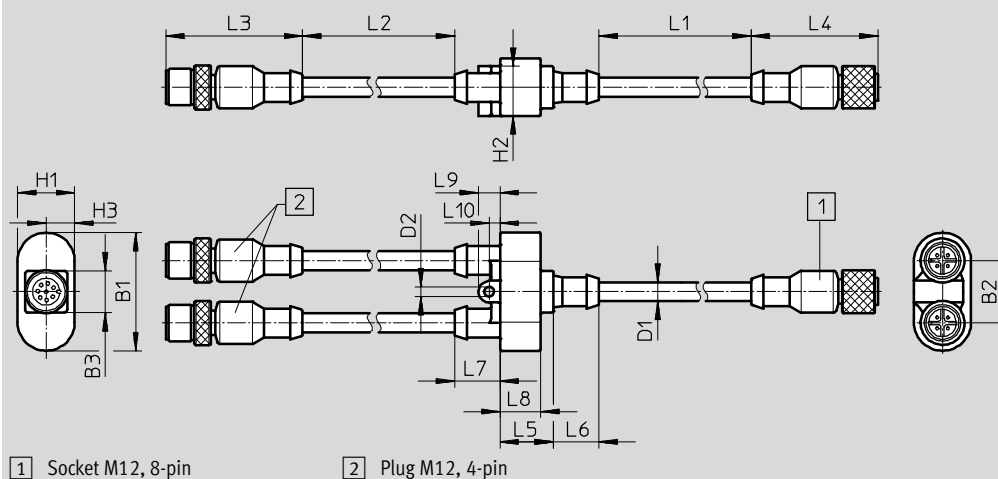
Y-connecting cable, socket M12, 8-pin

Technical data

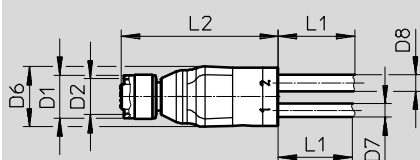
Dimensions

Download CAD data → www.festo.com

NEBV-M12G8



NEDU-L1R2-V9



Type	B1	B2	B3	D1	D2	D6	D7	D8	H1	H2	H2	L1	L2	L3	L4	L5	L6	L7	L8	L9	L10
NEBV-M12G8	38.8	20.5	13.8	6.3	3.2	-	-	-	18.8	16.3	9.4	2500	500	44.9	41.7	17.5	15	15	13.3	7.1	3.6
NEDU-L1R2-V9	-	-	-	14.5	M12	20	4.5	5.3	-	-	-	5000	51.6	-	-	-	-	-	-	-	-

Ordering data

Electrical connection	Product weight [g]	Part No.	Type
Socket M12, 8-pin	247	547888	NEBV-M12G8-KD-3-M12G4 • Plug M12, 4-pin • Plug M12, 4-pin
Socket M12, 8-pin, A-coded	377	2903567	NEDU-L1R2-V9-M12G8-E-LE5-5R1-LE3-5R2 • Open cable end, 3-core • Open cable end, 5-core

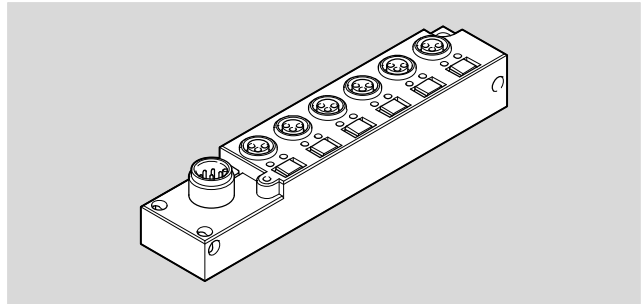
Multi-pin plug distributor, plug M12, 8-pin, socket M8, 3-pin

Technical data

FESTO

Multi-pin plug distributor NEDU-L

- Multi-pin plug distributor
- Particularly compact



General technical data	
Electrical connection	Straight plug, M12, 8-pin Straight socket, M8, 3-pin
Mounting position	Any
Operating voltage range [V DC]	10 ... 30
Acceptable current load [A]	3
Acceptable current load per slot [A]	2
Ready status display	Green LED
Status display	Yellow LED
Protection class to EN 60529	IP68

Materials	
Housing	PBT, reinforced
Housing colour	Grey
Seals	FPM
Pin contacts	Nickel-plated and gold-plated
Socket	Nickel-plated brass
Note on materials	RoHS-compliant

Operating and environmental conditions	
Ambient temperature [°C]	-20 ... +80
Corrosion resistance class CRC ¹⁾	3

1) Corrosion resistance class 3 according to Festo standard 940 070
Components subject to high corrosion stress. Externally visible parts with primarily functional surface requirements which are in direct contact with a normal industrial environment or media such as solvents and cleaning agents.

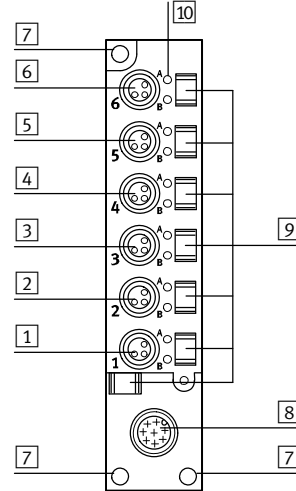
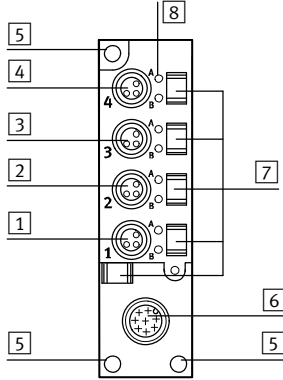
Multi-pin plug distributor, plug M12, 8-pin, socket M8, 3-pin

Technical data

Connection and display components

NEDU-L4R1-M8G3L-M12G8

NEDU-L6R1-M8G3L-M12G8



- 1 Sensor connection, location 1
- 2 Sensor connection, location 2
- 3 Sensor connection, location 3
- 4 Sensor connection, location 4
- 5 Mounting holes

- 6 Multi-pin plug connection
- 7 Holder for inscription label (ASLR-L-55)
- 8 LED for status display

- 1 Sensor connection, location 1
- 2 Sensor connection, location 2
- 3 Sensor connection, location 3
- 4 Sensor connection, location 4
- 5 Sensor connection, location 5
- 6 Sensor connection, location 6

- 7 Mounting holes
- 8 Multi-pin plug connection
- 9 Holder for inscription label (ASLR-L-55)
- 10 LED for status display

Circuitry (socket/plug view)

Individual connection		Allocation		Multi-pin plug connection	
	Location	Pin		Pin	
	1	1	+UB	5	
		3	-UB	7	
		4	Input 1	1	
	2	1	+UB	5	
		3	-UB	7	
		4	Input 2	2	
	3	1	+UB	5	
		3	-UB	7	
		4	Input 3	3	
	4	1	+UB	5	
		3	-UB	7	
		4	Input 4	4	
	5	1	+UB	5	
		3	-UB	7	
		4	Input 5	6	
	6	1	+UB	5	
		3	-UB	7	
		4	Input 6	8	

Multi-pin plug distributor, plug M12, 8-pin, socket M8, 3-pin

Technical data

Download CAD data → www.festo.com

1 Plug M12, 8-pin
2 Socket M8, 3-pin

Type	B1	B2	B3	B4	D1 ∅	D2 ∅	H1	H2	H3	L1	L2	L3	L4	L5	L6
NEDU-L4R1-M8G3L-M12G8	24	17	12	8.4	4.2	4.2	23	18.2	9	87	80	14.5	21	13	3.5
NEDU-L6R1-M8G3L-M12G8	24	17	12	8.4	4.2	4.2	23	18.2	9	113	106	14.5	21	13	3.5

Ordering data			
Electrical connection	Weight [g]	Part No.	Type
Plug M12, 8 pin	4x socket, M8, 3-pin	574586	NEDU-L4R1-M8G3L-M12G8
	6x socket, M8, 3-pin	574587	NEDU-L6R1-M8G3L-M12G8

Ordering data – Accessories					
Designation	Part No.	Type			
Connecting cable					
	Socket M12, 8-pin, angled	Open cable end, 8-wire	Length: 2 m	542256	NEBU-M12W8-2-N-LE8
			Length: 5 m	542257	NEBU-M12W8-5-N-LE8
			Length: 10 m	570007	NEBU-M12W8-10-N-LE8
	Socket M12, 8-pin, straight	Open cable end, 8-wire	Length: 2 m	525616	SIM-M12-8GD-2-PU
			Length: 5 m	525618	SIM-M12-8GD-5-PU
			Length: 10 m	570008	SIM-M12-8GD-10-PU
	Plug M12, 8-pin, straight	Length: 2 m	525617	KM12-8GD8GS-2-PU	
Cover cap					
	Cover cap for sealing unused sockets (10 pieces)	For M12 connections	165592	ISK-M12	
Inscription label					
	Inscription labels in frames, pack of 1000	5x5 mm	574590	ASLR-L-55	

Multi-pin plug distributor, plug Sub-D, 15-pin, socket M8, 3-pin

Technical data

Multi-pin plug distributor MPV

- Multi-pin plug distributor



General technical data	
Electrical connection technology for I/O	M8, 3-pin
Type of mounting	Either via H-rail or through-hole
Operating voltage range [V DC]	10 ... 30
Acceptable current load [A]	4
Acceptable current load per slot [A]	1
Protection class to EN 60529	IP65 in mounted status

Materials	
Housing	Reinforced PA6
Socket	Brass

Operating and environmental conditions	
Ambient temperature [°C]	-20 ... +80

Multi-pin plug distributor, plug Sub-D, 15-pin, socket M8, 3-pin

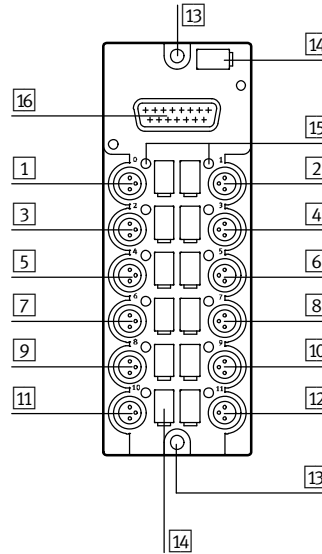
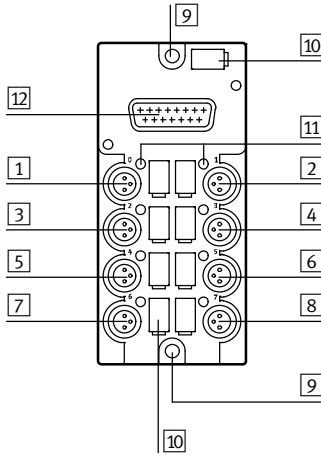
Technical data

FESTO

Connection and display components

MPV-E/A08-M8

MPV-E/A12-M8



- 1 Sensor connection, location 1
- 2 Sensor connection, location 2
- 3 Sensor connection, location 3
- 4 Sensor connection, location 4
- 5 Sensor connection, location 5
- 6 Sensor connection, location 6
- 7 Sensor connection, location 7

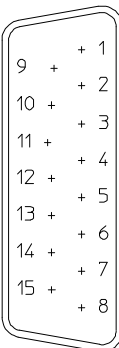
- 8 Sensor connection, location 8
- 9 Mounting holes
- 10 Holder for inscription label (IBS-6x10)
- 11 LED for status display
- 12 Multi-pin plug connection

- 1 Sensor connection, location 1
- 2 Sensor connection, location 2
- 3 Sensor connection, location 3
- 4 Sensor connection, location 4
- 5 Sensor connection, location 5
- 6 Sensor connection, location 6
- 7 Sensor connection, location 7
- 8 Sensor connection, location 8
- 9 Sensor connection, location 9

- 10 Sensor connection, location 10
- 11 Sensor connection, location 11
- 12 Sensor connection, location 12
- 13 Mounting holes
- 14 Holder for inscription label (IBS-6x10)
- 15 LED for status display
- 16 Multi-pin plug connection

Circuitry (socket/plug view)

Individual connection	Allocation		Multi-pin plug connection		Allocation		Individual connection	
	Location	Pin	Pin	Pin	Pin	Pin	Location	
	1	1	24 DC V	13	13	24 DC V	2	
		3	0 V	14/15	14/15	0 V		3
		4	Input 1	1	2	Input 2		4
	3	1	24 DC V	13	13	24 DC V	4	
		3	0 V	14/15	14/15	0 V		3
		4	Input 3	3	4	Input 4		4
	5	1	24 DC V	13	13	24 DC V	6	
		3	0 V	14/15	14/15	0 V		3
		4	Input 5	5	6	Input 6		4
	7	1	24 DC V	13	13	24 DC V	8	
		3	0 V	14/15	14/15	0 V		3
		4	Input 7	7	8	Input 8		4
9	1	24 DC V	13	13	24 DC V	10		
	3	0 V	14/15	14/15	0 V		3	
	4	Input 9	9	10	Input 10		4	
11	1	24 DC V	13	13	24 DC V	12		
	3	0 V	14/15	14/15	0 V		3	
	4	Input 11	11	12	Input 12		4	

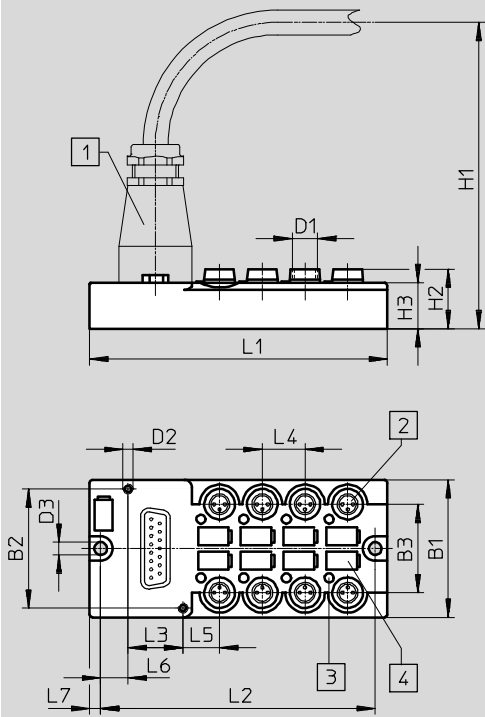


Multi-pin plug distributor, plug Sub-D, 15-pin, socket M8, 3-pin

Technical data

Dimensions

Download CAD data → www.festo.com



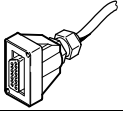
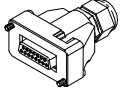
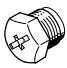

- 1 Connecting cable
- 2 Socket M8, 3-pin
- 3 Switching status indication
- 4 Inscription label

Type	B1	B2	B3	D1	D2	D3 Ø	H1	H2	H3	L1	L2	L3	L4	L5	L6	L7
MPV-E/A08-M8	45	39	29	M8	M3	4.2	126	19.5	15	98	90	18	14	12	9	4
MPV-E/A12-M8	45	39	29	M8	M3	4.2	126	19.5	15	126	118	18	14	12	9	4

Multi-pin plug distributor, plug Sub-D, 15-pin, socket M8, 3-pin

Accessories

Ordering data				
Electrical connection		Weight [g]	Part No.	Type
Plug Sub-D, 15-pin	Socket M8x8	100	177669	MPV-E/A08-M8
	Socket M8x12	120	177670	MPV-E/A12-M8

Ordering data – Accessories				
Designation			Part No.	Type
Multi-pin plug connection				
	Plug socket with cable <ul style="list-style-type: none"> • Socket Sub-D, 15-pin • Open cable end, 15-wire 	5 m	177673	KMPV-SUB-D-15-5
		10 m	177674	KMPV-SUB-D-15-10
	Socket Sub-D, 15-pin		177675	SD-SUB-D-BU15
Cover cap				
	Cover cap for sealing unused sockets (10 pieces)	For M8 connections	177672	ISK-M8
Inscription label				
	Inscription labels in frames, pack of 64	6x10 mm	18576	IBS-6x10